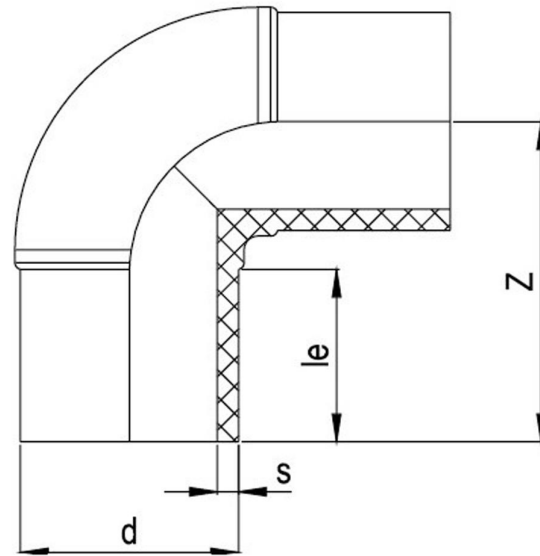


TECHNICAL DATA | 90° ELBOW LONG SDR11

Standards:	AS/NZS 4129 SDR11
Size Range:	20mm - 400mm
Materials:	Polyethelyne (PE) 100
Pressure Rating:	PN16, Water 10 BAR, Gas
Fitting Details:	Injected



d mm	le mm	Z mm	s mm	Weight kg	Code
20	43	63	3.0	0.020	BWEL119020
25	43	63	3.0	0.020	BWEL119025
32	46	72	3.0	0.040	BWEL119032
40	52	80	3.7	0.070	BWEL119040
50	59	92	4.6	0.140	BWEL119050
63	67	111	5.8	0.250	BWEL119063
75	74	126	6.8	0.430	BWEL119075
90	83	145	8.2	0.670	BWEL119090
110	87	161	10	1.080	BWEL1190110
125	92	173	11.4	1.470	BWEL1190125
140	97	195	12.7	2.160	BWEL1190140
160	103	205	14.6	2.900	BWEL1190160
180	110	230	16.4	4.230	BWEL1190180
200	117	245	18.2	5.970	BWEL1190200
225	125	264	20.5	7.300	BWEL1190225
250	135	292	22.7	10.350	BWEL1190250
280	146	340	25.4	15.730	BWEL1190280
315	158	370	28.6	21.170	BWEL1190315
355	173	401	32.3	28.670	BWEL1190355
400	189	451	36.4	41.500	BWEL1190400



Note:

Installation should always be performed by a licensed operator. It is the responsibility of the installer to check that both the pipe(s) and fitting(s) that are installed are compatible, only compatible materials should be joined together. It is the responsibility of the licensed installer to check the PN and SDR ratings marked on the fitting(s) and ensure that the pipe is compatible. Correct installation procedures should always be followed.

The drawings, materials and specifications outlined are subject to change without notice due to the continuous improvements and development of our product range.

FUSION QLD PTY LTD

ABN: 42 987 067 369
13 Vision Court, Noosaville, QLD, 4566
42-44 South Link, Dandenong, VIC, 3175

CONTACT

T: +61 7 5474 3000 (Qld)
T: +61 3 9037 4755 (Vic)
E: sales@fusionqld.com.au
W: fusionqld.com.au