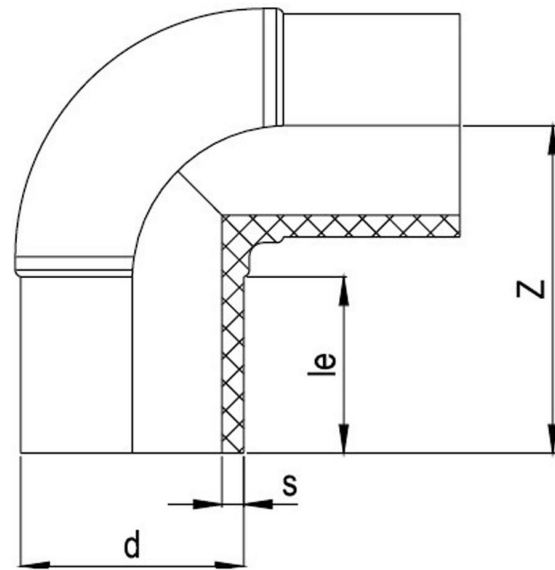


TECHNICAL DATA | 90° ELBOW LONG SDR17

Standards:	AS/NZS 4129 SDR17
Size Range:	63mm - 400mm
Materials:	Polyethylene (PE) 100
Pressure Rating:	PN10, Water 5 BAR, Gas
Fitting Details:	Injected



d mm	le mm	Z mm	s mm	Weight kg	Code
63	62	111	3.8	0.185	BWEL179063
75	72	126	4.5	0.320	BWEL179075
90	83	145	5.4	0.485	BWEL179090
110	87	161	6.6	0.780	BWEL1790110
125	92	173	7.4	1.050	BWEL1790125
140	97	195	8.3	1.510	BWEL1790140
160	103	205	9.5	2.150	BWEL1790160
180	110	230	10.7	3.100	BWEL1790180
200	117	245	11.9	4.350	BWEL1790200
225	125	264	13.4	5.260	BWEL1790225
250	135	292	14.8	7.660	BWEL1790250
280	146	340	16.6	11.460	BWEL1790280
315	158	370	18.7	15.560	BWEL1790315
355	173	401	21.1	22.170	BWEL1790355
400	189	451	23.7	30.960	BWEL1790400



Note:

Installation should always be performed by a licensed operator. It is the responsibility of the installer to check that both the pipe(s) and fitting(s) that are installed are compatible, only compatible materials should be joined together. It is the responsibility of the licensed installer to check the PN and SDR ratings marked on the fitting(s) and ensure that the pipe is compatible. Correct installation procedures should always be followed.

The drawings, materials and specifications outlined are subject to change without notice due to the continuous improvements and development of our product range.

FUSION QLD PTY LTD

ABN: 42 987 067 369
13 Vision Court, Noosaville, QLD, 4566
42-44 South Link, Dandenong, VIC, 3175

CONTACT

T: +61 7 5474 3000 (Qld)
T: +61 3 9037 4755 (Vic)
E: sales@fusionqld.com.au
W: fusionqld.com.au