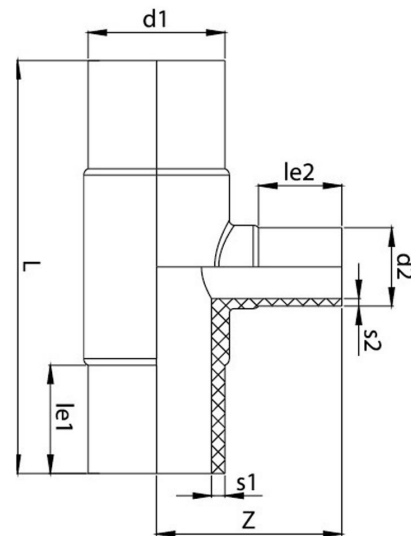


## TECHNICAL DATA | REDUCING TEE LONG SDR11

Standards:	AS/NZS 4129   SDR11
Size Range:	50 x 32 mm - 400 x 160 mm
Materials:	Polyethelyne (PE) 100
Pressure Rating:	PN16, Water   10 BAR, Gas
Fitting Details:	Injected



d1 mm	d2 mm	L mm	le1 mm	le2 mm	Z mm	s1 mm	s2 mm	Weight kg	Code
50	32	229	65	46	88	4.6	3.0	0.190	BWTRL115032
63	32	216	67	46	100	5.8	3.0	0.310	BWTRL116332
63	40	216	67	52	95	5.8	3.7	0.280	BWTRL116340
63	50	216	67	59	103	2.8	4.6	0.330	BWTRL116350
75	32	260	74	46	100	6.8	3.0	0.450	BWTRL117532
75	50	261	74	59	113	6.8	4.6	0.470	BWTRL117550
75	63	261	74	67	121	6.8	5.8	0.530	BWTRL117563
90	50	290	83	59	124	8.2	5.8	0.780	BWTRL119050
90	63	290	83	67	132	8.2	5.8	0.800	BWTRL119063
90	75	290	83	74	136	8.2	6.8	0.850	BWTRL119075
110	63	327	87	67	149	10	5.8	1.330	BWTRL1111063
110	75	327	87	74	151	10	6.8	1.360	BWTRL1111075
110	90	327	87	83	157	10	8.2	1.420	BWTRL1111090
125	90	356	92	82	172	11.4	8.2	2.040	BWTRL1112590
125	110	356	92	87	176	11.4	10	2.140	BWTRL11125110
140	90	380	97	83	175	12.7	8.2	2.400	BWTRL1114090
140	110	380	97	87	179	12.7	10	2.540	BWTRL11140110
160	63	417	103	67	175	14.6	5.8	3.420	BWTRL1116063
160	75	417	103	74	182	14.6	6.8	3.500	BWTRL1116075
160	90	417	103	83	187	14.6	8.2	3.540	BWTRL1116090
160	110	417	103	87	195	14.6	10	3.670	BWTRL11160110
160	125	417	103	92	200	14.6	11.4	3.750	BWTRL11160125



The drawings, materials and specifications outlined are subject to change without notice due to the continuous improvements and development of our product range.

**FUSION QLD PTY LTD**

ABN: 42 987 067 369  
13 Vision Court, Noosaville, QLD, 4566  
42-44 South Link, Dandenong, VIC, 3175

**CONTACT**

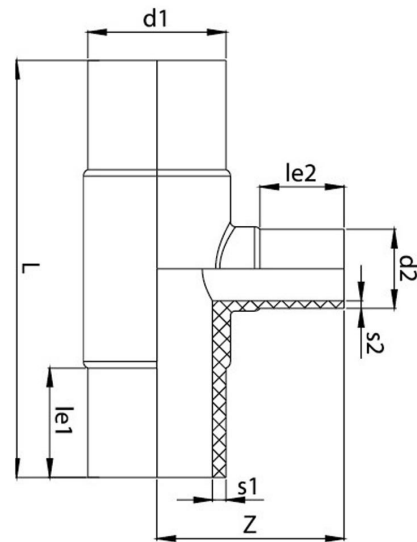
T: +61 7 5474 3000 (Qld)  
T: +61 3 9037 4755 (Vic)  
E: sales@fusionqld.com.au  
W: fusionqld.com.au

## TECHNICAL DATA | REDUCING TEE LONG SDR11

Standards:	AS/NZS 4129   SDR11
Size Range:	50 x 32 mm - 400 x 160 mm
Materials:	Polyethelyne (PE) 100
Pressure Rating:	PN16, Water   10 BAR, Gas
Fitting Details:	Injected



d1 mm	d2 mm	L mm	le1 mm	le2 mm	Z mm	s1 mm	s2 mm	Weight kg	Code
160	125	417	103	92	200	14.6	11.4	3.750	BWTRL11160125
180	90	458	110	83	206	16.4	8.2	5.000	BWTRL1118090
180	110	458	110	87	210	16.4	10	4.980	BWTRL11180110
180	125	458	110	92	215	16.4	11.4	5.140	BWTRL11180125
180	160	458	110	100	222	16.4	14.6	5.380	BWTRL11180160
200	63	481	117	67	191	18.2	5.8	6.240	BWTRL1120063
200	90	481	117	83	207	18.2	8.2	6.300	BWTRL1120090
200	110	481	117	87	211	18.2	10	6.440	BWTRL11200110
200	125	481	117	92	225	18.2	11.4	6.700	BWTRL11200125
200	160	481	117	103	227	18.2	14.6	6.900	BWTRL11200160
225	90	527	125	83	222	20.5	8.2	8.620	BWTRL1122590
225	110	527	125	87	226	20.5	10	8.780	BWTRL11225110
225	125	527	125	92	239	20.5	11.4	8.780	BWTRL11225125
225	160	527	125	103	242	20.5	14.6	9.220	BWTRL11225160
250	90	590	135	83	243	22.7	8.2	11.510	BWTRL1125090
250	110	590	135	87	251	22.7	10	11.730	BWTRL11250110
250	125	590	135	92	252	22.7	11.4	11.735	BWTRL11250125
250	160	590	135	103	267	22.7	14.6	12.250	BWTRL11250160
250	200	590	135	103	267	22.7	18.2	12.810	BWTRL11250200
280	110	690	146	87	290	25.4	10	17.965	BWTRL11280110
280	160	690	146	103	302	25.4	14.6	18.640	BWTRL11280160



The drawings, materials and specifications outlined are subject to change without notice due to the continuous improvements and development of our product range.

**FUSION QLD PTY LTD**

ABN: 42 987 067 369  
13 Vision Court, Noosaville, QLD, 4566  
42-44 South Link, Dandenong, VIC, 3175

**CONTACT**

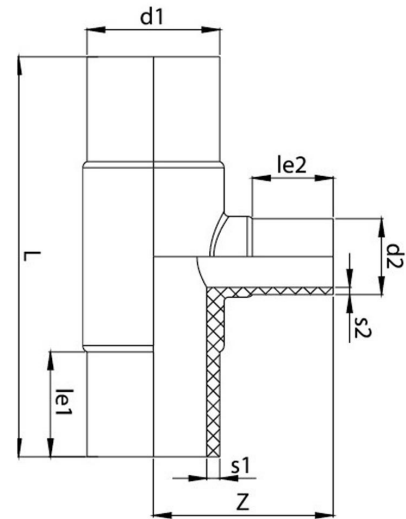
T: +61 7 5474 3000 (Qld)  
T: +61 3 9037 4755 (Vic)  
E: sales@fusionqld.com.au  
W: fusionqld.com.au

## TECHNICAL DATA | REDUCING TEE LONG SDR11

Standards:	AS/NZS 4129   SDR11
Size Range:	50 x 32 mm - 400 x 160 mm
Materials:	Polyethelyne (PE) 100
Pressure Rating:	PN16, Water   10 BAR, Gas
Fitting Details:	Injected



d1 mm	d2 mm	L mm	le1 mm	le2 mm	Z mm	s1 mm	s2 mm	Weight kg	Code
315	110	712	156	87	293	28.6	10	22.000	BWTRL11315110
315	160	712	516	103	303	28.6	14.6	22.600	BWTRL11315160
315	200	712	156	117	317	28.6	18.2	23.050	BWTRL11315200
315	225	712	156	125	325	28.6	20.5	23.700	BWTRL11315225
315	250	712	156	135	332	28.6	22.7	25.320	BWTRL11315250
355	110	575	173	87	300	32.2	10	20.305	BWTRL11355110
355	160	575	173	103	316	32.2	14.6	20.380	BWTRL11355160
400	110	615	189	87	327	36.3	10	30.060	BWTRL11400110
400	160	617	189	103	345	36.3	14.6	29.870	BWTRL11400160



**Note:**

Installation should always be performed by a licensed operator. It is the responsibility of the installer to check that both the pipe(s) and fitting(s) that are installed are compatible, only compatible materials should be joined together. It is the responsibility of the licensed installer to check the PN and SDR ratings marked on the fitting(s) and ensure that the pipe is compatible. Correct installation procedures should always be followed.

The drawings, materials and specifications outlined are subject to change without notice due to the continuous improvements and development of our product range.

**FUSION QLD PTY LTD**

ABN: 42 987 067 369  
13 Vision Court, Noosaville, QLD, 4566  
42-44 South Link, Dandenong, VIC, 3175

**CONTACT**

T: +61 7 5474 3000 (Qld)  
T: +61 3 9037 4755 (Vic)  
E: sales@fusionqld.com.au  
W: fusionqld.com.au