

## TECHNICAL DATA | STUB FLANGE LONG SDR11

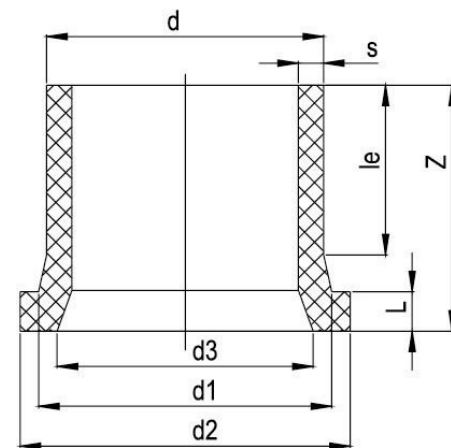
Standards: AS/NZS 4129 | SDR11

Size Range: 20 mm - 630 mm

Materials: Polyethelyne (PE) 100

Pressure Rating: PN16, Water | 10 BAR, Gas

- Fitting Details:
- Injection
  - Suitable for Butterfly Valve
  - \*With pipe extension
  - \*\*Spacer needed for Butterfly Valve



d mm	d1 mm	d2 mm	d3 mm	le mm	L mm	Z mm	s mm	Weight kg	Code
20	28	45	-	55	7	80	3	0.025	BWSFL11020
25	34	58	-	62	9	81	3	0.037	BWSFL11025
32	42	68	-	61	10	86	3	0.058	BWSFL11032
40	51	78	-	60	11	88	3.7	0.085	BWSFL11040
50	62	88	-	63	12	92	4.6	0.125	BWSFL11050
63	78	102	-	88	14	120	5.8	0.220	BWSFL11063
75	92	122	-	97	16	130	6.8	0.330	BWSFL11175
90	108	138	-	103	17	140	8.2	0.460	BWSFL11190
110	125	158	-	113	18	155	10	0.690	BWSFL11110
125	135	158	-	120	20	159	11.4	0.820	BWSFL11125
140	155	188	-	128	25	190	12.7	1.330	BWSFL11140
160	175	212	154	155	25	200	14.6	1.680	BWSFL11160
180	188	212	158	152	30	207	16.4	2.020	BWSFL11180
200	232	268	208	153	32	210	18.2	2.850	BWSFL11200
225	238	268	208	129	32	180	20.5	2.840	BWSFL11225
250	288	320	260	140	35	205	22.7	3.970	BWSFL11250
280	288	320	260	145	35	211	25.4	5.000	BWSFL11280

The drawings, materials and specifications outlined are subject to change without notice due to the continuous improvements and development of our product range.

**FUSION QLD PTY LTD**

ABN: 42 987 067 369  
13 Vision Court, Noosaville, QLD, 4566  
42-44 South Link, Dandenong, VIC, 3175

**CONTACT**

T: +61 7 5474 3000 (Qld)  
T: +61 3 9037 4755 (Vic)  
E: sales@fusionqld.com.au  
W: fusionqld.com.au

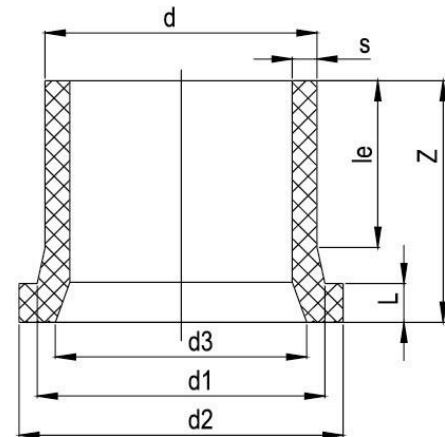
## TECHNICAL DATA | STUB FLANGE LONG SDR11

Standards: AS/NZS 4129 | SDR11  
 Size Range: 20 mm - 630 mm  
 Materials: Polyethylene (PE) 100  
 Pressure Rating: PN16, Water | 10 BAR, Gas

- Fitting Details:
- Injection
  - Suitable for Butterfly Valve
  - \*With pipe extension
  - \*\*Spacer needed for Butterfly Valve



d mm	d1 mm	d2 mm	d3 mm	le mm	L mm	Z mm	s mm	Weight kg	Code
<b>315</b>	338	375	305	156	35	224	28.6	6.360	BWSFL11315
<b>355</b>	376	435	345	170	45	240	32.3	9.490	BWSFL11355
<b>400</b>	430	485	396	185	50	264	36.4	13.160	BWSFL11400
<b>*450 (DN450)</b>	465	545	442	195	65	360	40.9	23.550	BWSFL11450
<b>*500</b>	530	590	494	212	60	354	45.5	25.650	BWSFL11500
<b>*560 / **</b>	618	690	580	235	80	423	50.8	40.150	BWSFL11560
<b>*630</b>	645	690	580	235	80	423	50.8	43.300	BWSFL11630



**Note:**

Installation should always be performed by a licensed operator. It is the responsibility of the installer to check that both the pipe(s) and fitting(s) that are installed are compatible, only compatible materials should be joined together. It is the responsibility of the licensed installer to check the PN and SDR ratings marked on the fitting(s) and ensure that the pipe is compatible. Correct installation procedures should always be followed.

The drawings, materials and specifications outlined are subject to change without notice due to the continuous improvements and development of our product range.

**FUSION QLD PTY LTD**

ABN: 42 987 067 369  
 13 Vision Court, Noosaville, QLD, 4566  
 42-44 South Link, Dandenong, VIC, 3175

**CONTACT**

T: +61 7 5474 3000 (Qld)  
 T: +61 3 9037 4755 (Vic)  
 E: sales@fusionqld.com.au  
 W: fusionqld.com.au