

## TECHNICAL DATA | STUB FLANGE LONG SDR17

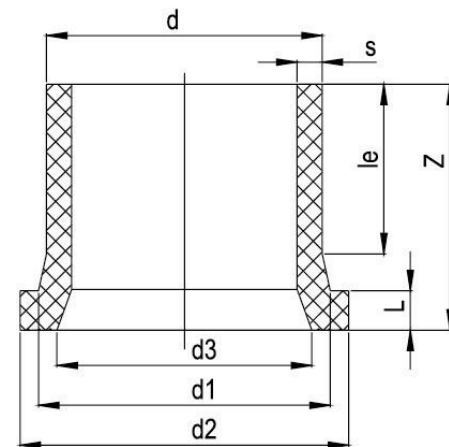
Standards: AS/NZS 4129 | SDR17

Size Range: 63 mm - 630 mm

Materials: Polyethelyne (PE) 100

Pressure Rating: PN10, Water | 5 BAR, Gas

- Fitting Details:
- Injection
  - Suitable for Butterfly Valve
  - \*With pipe extension
  - \*\*Spacer needed for Butterfly Valve



Size mm	d1 mm	d2 mm	d3 mm	le mm	L mm	Z mm	s mm	Weight kg	Code
<b>63</b>	78	102	-	88	14	120	3.8	0.182	BWSFL1763
<b>75</b>	92	122	-	97	16	130	4.5	0.280	BWSFL1775
<b>90</b>	108	139	-	106	17	140	5.4	0.372	BWSFL1790
<b>110</b>	125	158	-	113	17	155	6.6	0.550	BWSFL17110
<b>125</b>	135	158	-	120	20	160	7.04	0.640	BWSFL17125
<b>140</b>	155	188	-	128	18	188	8.3	1.040	BWSFL17140
<b>160</b>	175	212	154	147	18	185	9.5	1.130	BWSFL17160
<b>180</b>	188	212	164	111	20	153	10.7	1.145	BWSFL17180
<b>200</b>	230	268	208	125	24	188	11.9	1.960	BWSFL17200
<b>225</b>	238	268	208	156	24	205	13.4	2.360	BWSFL17225
<b>250</b>	288	320	260	133	25	186	14.8	2.600	BWSFL17250
<b>280</b>	288	320	260	145	25	213	16.6	3.620	BWSFL17280
<b>315</b>	338	375	305	166	25	223	18.7	4.780	BWSFL17315
<b>355</b>	376	435	350	172	30	227	21.1	6.550	BWSFL17355
<b>400</b>	430	485	396	185	33	242	23.7	8.785	BWSFL17400

The drawings, materials and specifications outlined are subject to change without notice due to the continuous improvements and development of our product range.

**FUSION QLD PTY LTD**

ABN: 42 987 067 369  
13 Vision Court, Noosaville, QLD, 4566  
42-44 South Link, Dandenong, VIC, 3175

**CONTACT**

T: +61 7 5474 3000 (Qld)  
T: +61 3 9037 4755 (Vic)  
E: sales@fusionqld.com.au  
W: fusionqld.com.au

## TECHNICAL DATA | STUB FLANGE LONG SDR17

Standards: AS/NZS 4129 | SDR17

Size Range: 63 mm - 630 mm

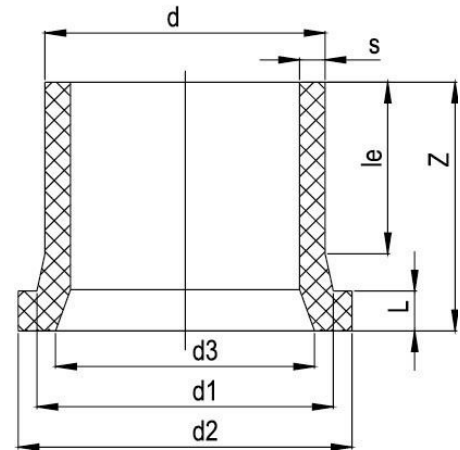
Materials: Polyethelyne (PE) 100

Pressure Rating: PN10, Water | 5 BAR, Gas

- Fitting Details:
- Injection
  - Suitable for Butterfly Valve
  - \*With pipe extension
  - \*\*Spacer needed for Butterfly Valve



Size mm	d1 mm	d2 mm	d3 mm	le mm	L mm	Z mm	s mm	Weight kg	Code
<b>450 (DN450)</b>	465	545	442	195	45	335	26.7	14.270	BWSFL17450
<b>500</b>	530	590	497	212	46	339	29.7	17.530	BWSFL17500
<b>560**</b>	618	690	580	235	50	373	33.2	24.500	BWSFL17560
<b>630</b>	645	690	585	255	50	384	37.4	29.250	BWSFL17630
<b>*710</b>	740	800	670	282	50	422	42.1	42.220	BWSFL17710
<b>*800</b>	843	905	780	312	60	463	47.4	54.550	BWSFL17800
<b>*900</b>	947	1005	884	345	60	507	53.3	74.500	BWSFL17900
<b>*1000</b>	1050	1112	972	379	65	557	59.3	100.500	BWSFL171000
<b>*1200</b>	1240	1320	1167	447	75	620	71.2	162.000	BWSFL171200



**Note:**

Installation should always be performed by a licensed operator. It is the responsibility of the installer to check that both the pipe(s) and fitting(s) that are installed are compatible, only compatible materials should be joined together. It is the responsibility of the licensed installer to check the PN and SDR ratings marked on the fitting(s) and ensure that the pipe is compatible. Correct installation procedures should always be followed.

The drawings, materials and specifications outlined are subject to change without notice due to the continuous improvements and development of our product range.

**FUSION QLD PTY LTD**

ABN: 42 987 067 369  
13 Vision Court, Noosaville, QLD, 4566  
42-44 South Link, Dandenong, VIC, 3175

**CONTACT**

T: +61 7 5474 3000 (Qld)  
T: +61 3 9037 4755 (Vic)  
E: sales@fusionqld.com.au  
W: fusionqld.com.au