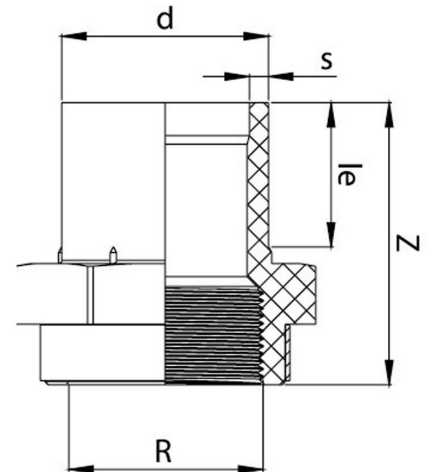


## TECHNICAL DATA | THREADED FEMALE ADAPTOR SDR11

Standards:	AS/NZS 4129   SDR11
Size Range:	20mm x 1/2" - 110mm x 4"
Materials:	Polyethelyne (PE) 100
Pressure Rating:	PN10, Water
Fitting Details:	Injected



d mm	R inch	le mm	Z mm	s mm	Weight kg	Code
20	1/2"	64	95	3.0	0.028	BWAF2012
25	3/4"	64	98.5	3.0	0.039	BWAF2534
32	1"	61	98.5	3.0	0.054	BWAF321
40	1 1/4"	65	109	3.7	0.088	BWAF40114
50	1 1/2"	69	111	4.6	0.130	BWAF50112
63	2"	89	125	5.8	0.208	BWAF632
75	2 1/2"	89	147	8.21	0.333	BWAF75212
90	3"	101	155	8.45	0.540	BWAF903
110	4"	109	165	10.41	0.710	BWAF1104



**Note:**

Installation should always be performed by a licensed operator. It is the responsibility of the installer to check that both the pipe(s) and fitting(s) that are installed are compatible, only compatible materials should be joined together. It is the responsibility of the licensed installer to check the PN and SDR ratings marked on the fitting(s) and ensure that the pipe is compatible. Correct installation procedures should always be followed.

The drawings, materials and specifications outlined are subject to change without notice due to the continuous improvements and development of our product range.

**FUSION QLD PTY LTD**

ABN: 42 987 067 369  
13 Vision Court, Noosaville, QLD, 4566  
42-44 South Link, Dandenong, VIC, 3175

**CONTACT**

T: +61 7 5474 3000 (Qld)  
T: +61 3 9037 4755 (Vic)  
E: sales@fusionqld.com.au  
W: fusionqld.com.au