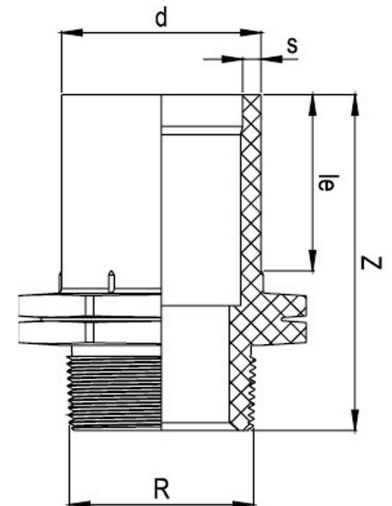


TECHNICAL DATA | THREADED MALE ADAPTOR SDR11

Standards:	AS/NZS 4129 SDR11
Size Range:	20mm x 1/2" - 110mm x 4"
Materials:	Polyethelyne (PE) 100
Pressure Rating:	PN10, Water
Fitting Details:	Injected



d mm	R inch	le mm	Z mm	s mm	Weight kg	Code
20	1/2"	64	97.2	3.0	0.018	BWAM2012
25	3/4"	98.5	98.5	3.0	0.024	BWAM2534
32	1"	61	97.8	3.0	0.042	BWAM321
40	1 1/4"	65	104.1	3.7	0.053	BWAM40114
50	1 1/2"	69	108.1	4.6	0.079	BWAM50112
63	2"	78	121.4	5.8	0.141	BWAM632
75	2 1/2"	89	135.7	8.21	0.218	BWAM75212
90	3"	97	151	10.29	0.353	BWAM903
110	4"	109	115	10.44	.500	BWAM1104



Note:

Installation should always be performed by a licensed operator. It is the responsibility of the installer to check that both the pipe(s) and fitting(s) that are installed are compatible, only compatible materials should be joined together. It is the responsibility of the licensed installer to check the PN and SDR ratings marked on the fitting(s) and ensure that the pipe is compatible. Correct installation procedures should always be followed.

The drawings, materials and specifications outlined are subject to change without notice due to the continuous improvements and development of our product range.

FUSION QLD PTY LTD

ABN: 42 987 067 369
13 Vision Court, Noosaville, QLD, 4566
42-44 South Link, Dandenong, VIC, 3175

CONTACT

T: +61 7 5474 3000 (Qld)
T: +61 3 9037 4755 (Vic)
E: sales@fusionqld.com.au
W: fusionqld.com.au