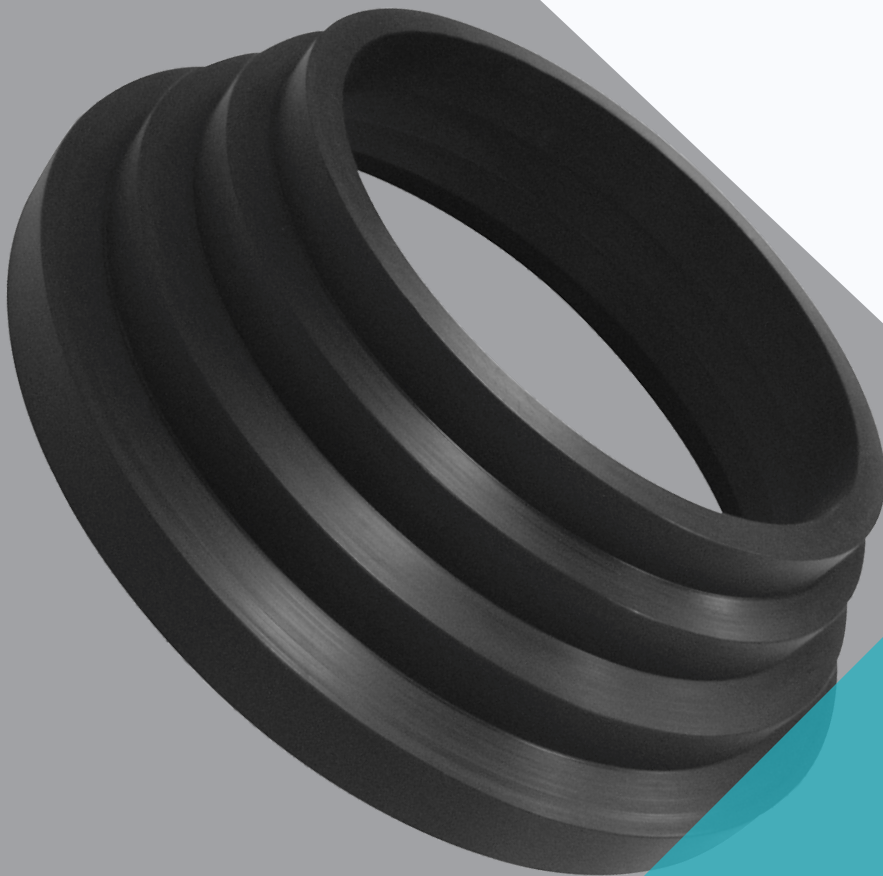


BUTT WELD FITTINGS TECHNICAL DATA



TECHNICAL DATA | STUB FLANGE SHORT SDR11

Standards: AS/NZS 4129 | SDR11

Size Range: 110 mm - 1000 mm

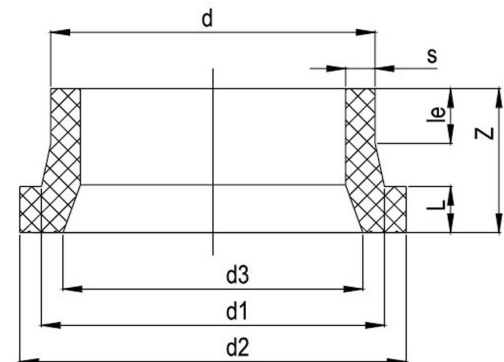
Materials: Polyethelyne (PE) 100

Pressure Rating: PN16, Water | 10 BAR, Gas

Fitting Details: Injected



| d mm | d1 mm | d2 mm | d3 mm | le mm | L mm | Z mm | s mm | Code |
|------|-------|-------|-------|-------|------|------|------|------------|
| 110 | 103 | 128 | 89.4 | 22 | 20 | 60 | 10 | BWSF11110 |
| 125 | 124 | 160 | 101.5 | 22 | 20 | 60 | 11.4 | BWSF11125 |
| 140 | 128 | 192 | 113.9 | 23 | 25 | 65 | 12.7 | BWSF11140 |
| 160 | 168 | 217 | 130 | 23 | 25 | 65 | 14.6 | BWSF11160 |
| 180 | 180 | 217 | 146.3 | 23 | 25 | 65 | 16.4 | BWSF11180 |
| 200 | 225 | 270 | 162.5 | 23.5 | 30 | 75 | 18.2 | BWSF11200 |
| 225 | 230 | 270 | 182.9 | 24 | 30 | 80 | 20.5 | BWSF11225 |
| 250 | 276.4 | 334 | 203.4 | 24.15 | 35 | 80 | 22.7 | BWSF11250 |
| 280 | 290 | 334 | 227.8 | 25.33 | 35 | 85 | 25.4 | BWSF11280 |
| 315 | 330 | 380 | 256.3 | 28.84 | 40 | 90 | 28.6 | BWSF11315 |
| 355 | 364.1 | 444 | 288.8 | 30.44 | 40 | 100 | 32.2 | BWSF11355 |
| 400 | 417.4 | 495 | 325.4 | 27.08 | 40 | 100 | 36.3 | BWSF11400 |
| 450 | 470 | 545 | 366.1 | 30 | 60 | 110 | 40.9 | BWSF11450 |
| 500 | 520 | 596 | 406.8 | 30 | 60 | 125 | 45.4 | BWSF11500 |
| 560 | 582 | 657 | 455.8 | 30 | 60 | 130 | 50.7 | BWSF11560 |
| 630 | 640 | 710 | 512.6 | 30 | 60 | 130 | 57.2 | BWSF11630 |
| 710 | 735 | 800 | 577.6 | 30 | 60 | 130 | 64.5 | BWSF11710 |
| 800 | 840 | 904 | 651.1 | 30 | 92 | 162 | 72.5 | BWSF11800 |
| 900 | 944 | 1000 | 732.4 | 23 | 93 | 170 | 81.7 | BWSF11900 |
| 1000 | 1052 | 1105 | 814.9 | 30 | 113 | 183 | 90.3 | BWSF111000 |



Note:

Installation should always be performed by a licensed operator. It is the responsibility of the installer to check that both the pipe(s) and fitting(s) that are installed are compatible, only compatible materials should be joined together. It is the responsibility of the licensed installer to check the PN and SDR ratings marked on the fitting(s) and ensure that the pipe is compatible. Correct installation procedures should always be followed.

The drawings, materials and specifications outlined are subject to change without notice due to the continuous improvements and development of our product range.

FUSION QLD PTY LTD

ABN: 42 987 067 369
13 Vision Court, Noosaville, QLD, 4566
42-44 South Link, Dandenong, VIC, 3175

CONTACT

T: +61 7 5474 3000 (Qld)
T: +61 3 9037 4755 (Vic)
E: sales@fusionqld.com.au
W: fusionqld.com.au

TECHNICAL DATA | 45° ELBOW SHORT SDR11

Standards: AS/NZS 4129 | SDR11

Size Range: 450 mm - 630 mm

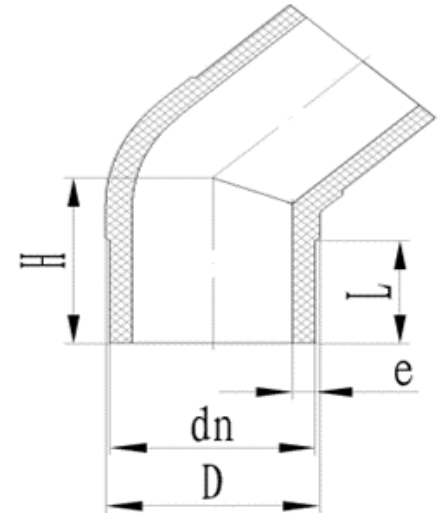
Materials: Polyethylene (PE) 100

Pressure Rating: PN16, Water | 10 BAR, Gas

Fitting Details: Injected



| size mm | dn mm | H mm | L mm | D mm | e mm | Weight kg | Code |
|---------|-------|------|------|------|-------|-----------|-------------|
| 450 | 458 | 227 | 110 | 468 | 40.9 | 27.7 | BWEL1145450 |
| 500 | 508 | 238 | 110 | 519 | 45.40 | 35.5 | BWEL1145500 |
| 560 | 561 | 247 | 110 | 569 | 50.8 | 42.1 | BWEL1145560 |
| 630 | 630 | 270 | 110 | 650 | 57.2 | 67.9 | BWEL1145630 |



Note:

Installation should always be performed by a licensed operator. It is the responsibility of the installer to check that both the pipe(s) and fitting(s) that are installed are compatible, only compatible materials should be joined together. It is the responsibility of the licensed installer to check the PN and SDR ratings marked on the fitting(s) and ensure that the pipe is compatible. Correct installation procedures should always be followed.

The drawings, materials and specifications outlined are subject to change without notice due to the continuous improvements and development of our product range.

FUSION QLD PTY LTD

ABN: 42 987 067 369
13 Vision Court, Noosaville, QLD, 4566
42-44 South Link, Dandenong, VIC, 3175

CONTACT

T: +61 7 5474 3000 (Qld)
T: +61 3 9037 4755 (Vic)
E: sales@fusionqld.com.au
W: fusionqld.com.au

TECHNICAL DATA | 90° ELBOW SHORT SDR11

Standards: AS/NZS 4129 | SDR11

Size Range: 450 mm - 630 mm

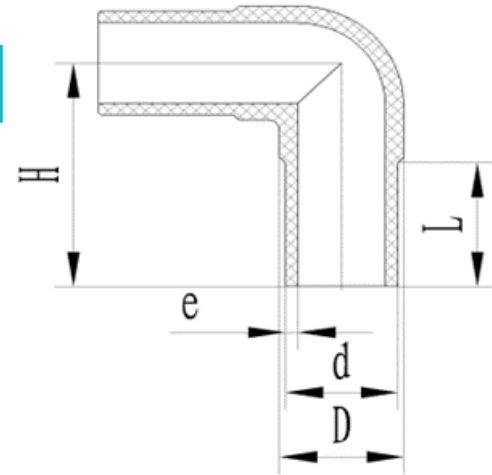
Materials: Polyethelyne (PE) 100

Pressure Rating: PN16, Water | 10 BAR, Gas

Fitting Details: Injected



| size mm | dn mm | H mm | L mm | D mm | e mm | Weight kg | Code |
|---------|-------|------|------|------|------|-----------|-------------|
| 450 | 458 | 379 | 110 | 468 | 40.9 | 42.9 | BWEL1190450 |
| 500 | 508 | 405 | 110 | 519 | 45.4 | 55.8 | BWEL1190500 |
| 560 | 561 | 439 | 110 | 579 | 50.8 | 73.5 | BWEL1190560 |
| 630 | 630 | 480 | 110 | 656 | 57.2 | 115.8 | BWEL1190630 |



Note:

Installation should always be performed by a licensed operator. It is the responsibility of the installer to check that both the pipe(s) and fitting(s) that are installed are compatible, only compatible materials should be joined together. It is the responsibility of the licensed installer to check the PN and SDR ratings marked on the fitting(s) and ensure that the pipe is compatible. Correct installation procedures should always be followed.

The drawings, materials and specifications outlined are subject to change without notice due to the continuous improvements and development of our product range.

FUSION QLD PTY LTD

ABN: 42 987 067 369
13 Vision Court, Noosaville, QLD, 4566
42-44 South Link, Dandenong, VIC, 3175

CONTACT

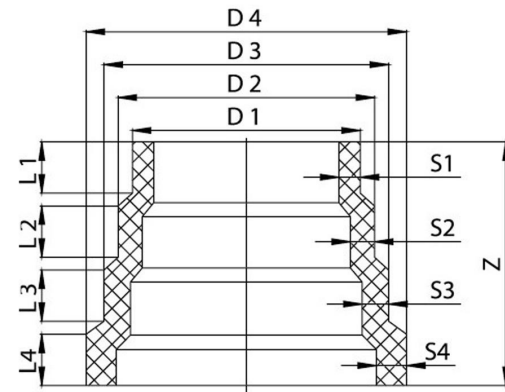
T: +61 7 5474 3000 (Qld)
T: +61 3 9037 4755 (Vic)
E: sales@fusionqld.com.au
W: fusionqld.com.au

TECHNICAL DATA | MULTI REDUCER SHORT SDR11

| | |
|------------------|---------------------------|
| Standards: | AS/NZS 4129 SDR11 |
| Size Range: | 225mm - 630mm |
| Materials: | Polyethelyne (PE) 100 |
| Pressure Rating: | PN16, Water 10 BAR, Gas |
| Fitting Details: | Injected |



| D4 mm | D1 mm | D3 mm | D2 mm | L1 mm | L2 mm | L3 mm | L4 mm | Z mm | Weight kg | Code |
|-------|-------|-------|-------|-------|-------|-------|-------|------|-----------|--------------|
| 225 | 160 | 200 | 180 | 36 | 36 | 36 | 36 | 171 | 1.730 | BWRM11225160 |
| 315 | 225 | 280 | 250 | 36 | 36 | 36 | 36 | 171 | 3.800 | BWRM11315225 |
| 450 | 315 | 400 | 355 | 36 | 36 | 36 | 52 | 176 | 8.515 | BWRM11450315 |
| 630 | 450 | 560 | 500 | 36 | 36 | 36 | 72 | 200 | 19.740 | BWRM11630450 |



Note:

Installation should always be performed by a licensed operator. It is the responsibility of the installer to check that both the pipe(s) and fitting(s) that are installed are compatible, only compatible materials should be joined together. It is the responsibility of the licensed installer to check the PN and SDR ratings marked on the fitting(s) and ensure that the pipe is compatible. Correct installation procedures should always be followed.

The drawings, materials and specifications outlined are subject to change without notice due to the continuous improvements and development of our product range.

FUSION QLD PTY LTD

ABN: 42 987 067 369
13 Vision Court, Noosaville, QLD, 4566
42-44 South Link, Dandenong, VIC, 3175

CONTACT

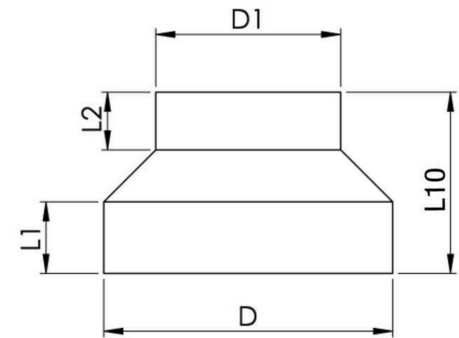
T: +61 7 5474 3000 (Qld)
T: +61 3 9037 4755 (Vic)
E: sales@fusionqld.com.au
W: fusionqld.com.au

TECHNICAL DATA | REDUCER SHORT SDR11

Standards: AS/NZS 4129 | SDR11
 Size Range: 90mm x 50mm - 630mm x 560mm
 Materials: Polyethylene (PE) 100
 Pressure Rating: PN16, Water | 10 BAR, Gas



| D mm | d1 mm | L10 mm | L1 mm | L2 mm | Weight kg | Code |
|------|-------|--------|-------|-------|-----------|-------------|
| 90 | 50 | 73 | 26 | 22 | 0.1 | BWR119050 |
| 90 | 63 | 71 | 29 | 24 | 0.1 | BWR119063 |
| 90 | 75 | 80 | 33 | 33 | 0.16 | BWR119075 |
| 110 | 50 | 90 | 40 | 29 | 0.2 | BWR1111050 |
| 110 | 63 | 105 | 40 | 36 | 0.25 | BWR1111063 |
| 110 | 75 | 90 | 34 | 35 | 0.3 | BWR1111075 |
| 110 | 90 | 104 | 40 | 41 | 0.29 | BWR1111090 |
| 125 | 63 | 100 | 40 | 34 | 0.3 | BWR1112563 |
| 125 | 75 | 98 | 32 | 19 | 0.31 | BWR1112575 |
| 125 | 90 | 110 | 42 | 41 | 0.37 | BWR1112590 |
| 125 | 110 | 100 | 40 | 48 | 0.4 | BWR11125110 |
| 140 | 75 | 110 | 49 | 37 | 0.5 | BWR1114075 |
| 140 | 90 | 126 | 45 | 28 | 0.4 | BWR1114090 |
| 140 | 110 | 126 | 45 | 34 | 0.5 | BWR11140110 |
| 140 | 125 | 128 | 45 | 42 | 0.6 | BWR11140125 |
| 160 | 90 | 120 | 53 | 37 | 0.7 | BWR1116090 |
| 160 | 110 | 125 | 50 | 39 | 0.7 | BWR11160110 |
| 160 | 125 | 120 | 54 | 45 | 0.7 | BWR11160125 |
| 160 | 140 | 98 | 44 | 43 | 0.8 | BWR11160140 |
| 180 | 90 | 130 | 59 | 37 | 1 | BWR1118090 |
| 180 | 110 | 130 | 60 | 40 | 1 | BWR11180110 |
| 180 | 125 | 152 | 62 | 42 | 1.1 | BWR11180125 |
| 180 | 140 | 135 | 51 | 47 | 1.02 | BWR11180140 |
| 180 | 160 | 131 | 60 | 55 | 1.2 | BWR11180160 |



The drawings, materials and specifications outlined are subject to change without notice due to the continuous improvements and development of our product range.

FUSION QLD PTY LTD

ABN: 42 987 067 369
 13 Vision Court, Noosaville, QLD, 4566
 42-44 South Link, Dandenong, VIC, 3175

CONTACT

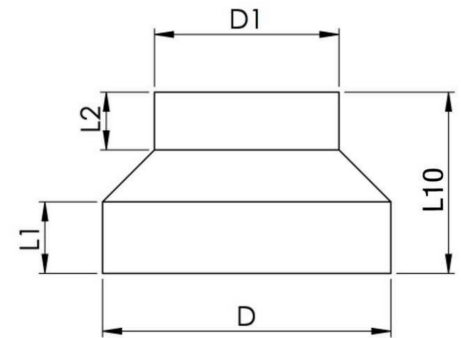
T: +61 7 5474 3000 (Qld)
 T: +61 3 9037 4755 (Vic)
 E: sales@fusionqld.com.au
 W: fusionqld.com.au

TECHNICAL DATA | REDUCER SHORT SDR11

Standards: AS/NZS 4129 | SDR11
 Size Range: 90mm x 50mm - 630mm x 560mm
 Materials: Polyethylene (PE) 100
 Pressure Rating: PN16, Water | 10 BAR, Gas



| D mm | d1 mm | L10 mm | L1 mm | L2 mm | Weight kg | Code |
|------|-------|--------|-------|-------|-----------|-------------|
| 200 | 140 | 140 | 60 | 48 | 1.3 | BWR11200140 |
| 200 | 160 | 140 | 60 | 54 | 1.5 | BWR11200160 |
| 200 | 180 | 140 | 60 | 61 | 1.4 | BWR11200180 |
| 225 | 140 | 160 | 65 | 57 | 1.8 | BWR11225140 |
| 225 | 160 | 190 | 65 | 50 | 2 | BWR11225160 |
| 225 | 180 | 190 | 65 | 55 | 2.1 | BWR11225180 |
| 225 | 200 | 160 | 71 | 71 | 1.9 | BWR11225200 |
| 250 | 160 | 157 | 55 | 55 | 2.12 | BWR11250160 |
| 250 | 180 | 150 | 62 | 50 | 2.36 | BWR11250180 |
| 250 | 200 | 138 | 60 | 50 | 2.28 | BWR11250200 |
| 250 | 225 | 142 | 50 | 68 | 2.17 | BWR11250225 |
| 280 | 180 | 200 | 85 | 70 | 3.2 | BWR11280180 |
| 280 | 200 | 160 | 72 | 51 | 2.83 | BWR11280200 |
| 280 | 225 | 154 | 72 | 57 | 2.79 | BWR11280225 |
| 280 | 250 | 150 | 71 | 64 | 2.87 | BWR11280250 |
| 315 | 255 | 184 | 82 | 57 | 4.02 | BWR11315225 |
| 315 | 250 | 178 | 81 | 62 | 4.06 | BWR11315250 |
| 315 | 280 | 175 | 79 | 72 | 4.15 | BWR11315280 |
| 355 | 225 | 213 | 92 | 57 | 5.24 | BWR11355225 |
| 355 | 250 | 195 | 87 | 62 | 5.27 | BWR11355250 |
| 355 | 280 | 200 | 87 | 77 | 5.82 | BWR11355280 |
| 355 | 315 | 188 | 88 | 78 | 5.73 | BWR11355315 |



The drawings, materials and specifications outlined are subject to change without notice due to the continuous improvements and development of our product range.

FUSION QLD PTY LTD

ABN: 42 987 067 369
 13 Vision Court, Noosaville, QLD, 4566
 42-44 South Link, Dandenong, VIC, 3175

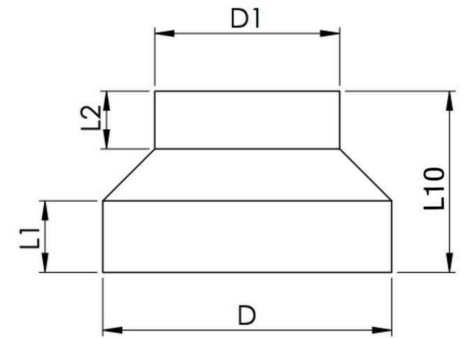
CONTACT

T: +61 7 5474 3000 (Qld)
 T: +61 3 9037 4755 (Vic)
 E: sales@fusionqld.com.au
 W: fusionqld.com.au

TECHNICAL DATA | REDUCER SHORT SDR11

Standards: AS/NZS 4129 | SDR11
 Size Range: 90mm x 50mm - 630mm x 560mm
 Materials: Polyethylene (PE) 100
 Pressure Rating: PN16, Water | 10 BAR, Gas

| D mm | d1 mm | L10 mm | L1 mm | L2 mm | Weight kg | Code |
|------|-------|--------|-------|-------|-----------|-------------|
| 400 | 280 | 226 | 96 | 73 | 7.79 | BWR11400280 |
| 400 | 315 | 218 | 97 | 83 | 7.94 | BWR11400315 |
| 400 | 355 | 208 | 97 | 92 | 8.02 | BWR11400355 |
| 450 | 315 | 206 | 64 | 76 | 7.8 | BWR11450315 |
| 450 | 355 | 203 | 64 | 92 | 9.04 | BWR11450355 |
| 450 | 400 | 188 | 64 | 99 | 9.13 | BWR11450400 |
| 500 | 355 | 210 | 62 | 81 | 11.7 | BWR11500335 |
| 500 | 400 | 210 | 63 | 96 | 11.54 | BWR11500400 |
| 500 | 450 | 166 | 63 | 81 | 11.7 | BWR11500450 |
| 560 | 400 | 240 | 60 | 98 | 15.08 | BWR11560400 |
| 560 | 450 | 187 | 60 | 65 | 13.24 | BWR11560450 |
| 560 | 500 | 192 | 62 | 61 | 12.34 | BWR11560500 |
| 630 | 400 | 190 | 78 | 40 | 18.2 | BWR11630400 |
| 630 | 450 | 234 | 60 | 68 | 19.57 | BWR11630450 |
| 630 | 500 | 192 | 62 | 61 | 18.12 | BWR11630500 |
| 630 | 560 | 188 | 64 | 65 | 17.34 | BWR11630560 |



Note:

Installation should always be performed by a licensed operator. It is the responsibility of the installer to check that both the pipe(s) and fitting(s) that are installed are compatible, only compatible materials should be joined together. It is the responsibility of the licensed installer to check the PN and SDR ratings marked on the fitting(s) and ensure that the pipe is compatible. Correct installation procedures should always be followed.

The drawings, materials and specifications outlined are subject to change without notice due to the continuous improvements and development of our product range.

FUSION QLD PTY LTD

ABN: 42 987 067 369
 13 Vision Court, Noosaville, QLD, 4566
 42-44 South Link, Dandenong, VIC, 3175

CONTACT

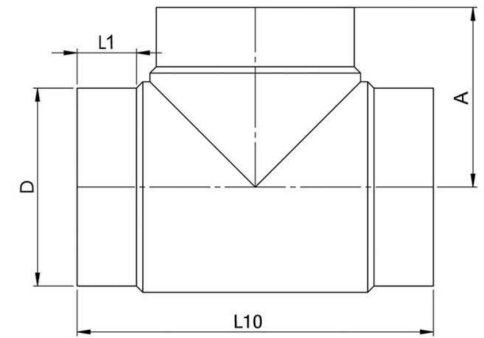
T: +61 7 5474 3000 (Qld)
 T: +61 3 9037 4755 (Vic)
 E: sales@fusionqld.com.au
 W: fusionqld.com.au

TECHNICAL DATA | TEE SHORT SDR11

| | |
|------------------|---------------------------|
| Standards: | AS/NZS 4129 SDR11 |
| Size Range: | 450mm - 630mm |
| Materials: | Polyethelyne (PE) 100 |
| Pressure Rating: | PN16, Water 10 BAR, Gas |
| Fitting Details: | Injected |



| D mm | L10 mm | L1 mm | A mm | Weight kg | Code |
|------------|--------|-------|-------|-----------|---------|
| 450 | 732 | 100 | 366 | 39.4 | BT11450 |
| 500 | 855 | 130 | 427.5 | 58.2 | BT11500 |
| 560 | 865 | 100 | 432.5 | 67.5 | BT11560 |
| 630 | 1020 | 130 | 510 | 104.2 | BT11630 |



Note:

Installation should always be performed by a licensed operator. It is the responsibility of the installer to check that both the pipe(s) and fitting(s) that are installed are compatible, only compatible materials should be joined together. It is the responsibility of the licensed installer to check the PN and SDR ratings marked on the fitting(s) and ensure that the pipe is compatible. Correct installation procedures should always be followed.

The drawings, materials and specifications outlined are subject to change without notice due to the continuous improvements and development of our product range.

FUSION QLD PTY LTD

ABN: 42 987 067 369
13 Vision Court, Noosaville, QLD, 4566
42-44 South Link, Dandenong, VIC, 3175

CONTACT

T: +61 7 5474 3000 (Qld)
T: +61 3 9037 4755 (Vic)
E: sales@fusionqld.com.au
W: fusionqld.com.au

TECHNICAL DATA | END CAP SHORT SDR11

Standards: AS/NZS 4129 | SDR11

Size Range: 315mm - 630mm

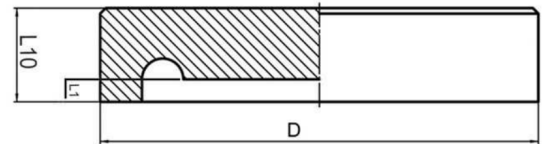
Materials: Polyethelyne (PE) 100

Pressure Rating: PN16, Water | 10 BAR, Gas

Fitting Details: Injected



| D mm | L10 mm | L1 mm | Weight kg | Code |
|------|--------|-------|-----------|------------|
| 315 | 75 | 20 | 4.4 | BWCAP11315 |
| 355 | 85 | 20 | 6.5 | BWCAP11355 |
| 400 | 90 | 20 | 8.8 | BWCAP11400 |
| 450 | 100 | 20 | 12.6 | BWCAP11450 |
| 500 | 110 | 20 | 17.3 | BWCAP11500 |
| 560 | 120 | 20 | 24 | BWCAP11560 |
| 630 | 140 | 30 | 48.8 | BWCAP11630 |



Note:

Installation should always be performed by a licensed operator. It is the responsibility of the installer to check that both the pipe(s) and fitting(s) that are installed are compatible, only compatible materials should be joined together. It is the responsibility of the licensed installer to check the PN and SDR ratings marked on the fitting(s) and ensure that the pipe is compatible. Correct installation procedures should always be followed.

The drawings, materials and specifications outlined are subject to change without notice due to the continuous improvements and development of our product range.

FUSION QLD PTY LTD

ABN: 42 987 067 369
13 Vision Court, Noosaville, QLD, 4566
42-44 South Link, Dandenong, VIC, 3175

CONTACT

T: +61 7 5474 3000 (Qld)
T: +61 3 9037 4755 (Vic)
E: sales@fusionqld.com.au
W: fusionqld.com.au

TECHNICAL DATA | VALVE SPACER SDR11

Standards: AS/NZS 4129 | SDR11

Size Range: 110mm - 630mm

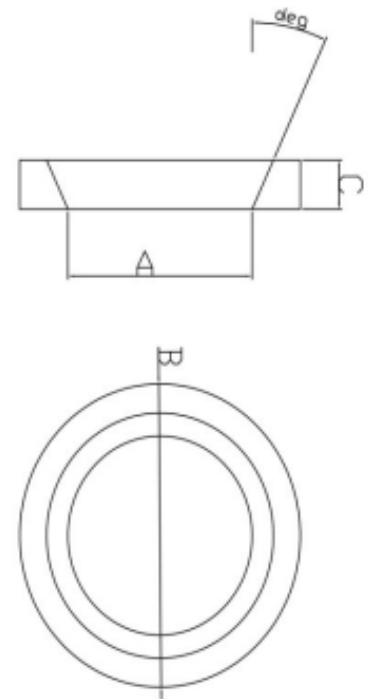
Materials: Polyethelyne (PE) 100

Pressure Rating: PN16, Water | 10 BAR, Gas

Fitting Details: Injected



| size mm | A mm | B mm | C mm | Deg ° | Code |
|---------|-------|------|------|-------|-----------|
| 110 | 90 | 158 | 14 | 20 | BWVS11110 |
| 125 | 102 | 190 | 25 | 25 | BWVS11125 |
| 140 | 114.6 | 188 | 25 | 20 | BWVS11140 |
| 160 | 130.8 | 212 | 25 | 25 | BWVS11160 |
| 200 | 163.6 | 268 | 40 | 30 | BWVS11200 |
| 225 | 184 | 268 | 25 | 25 | BWVS11225 |
| 250 | 203 | 334 | 50 | 30 | BWVS11250 |
| 280 | 228 | 334 | 30 | 30 | BWVS11280 |
| 315 | 257.8 | 384 | 60 | 30 | BWVS11315 |
| 355 | 290.6 | 430 | 60 | 30 | BWVS11355 |
| 400 | 327.4 | 482 | 80 | 30 | BWVS11400 |
| 450 | 368.2 | 545 | 100 | 25 | BWVS11450 |
| 500 | 409.2 | 585 | 100 | 25 | BWVS11500 |
| 630 | 513 | 708 | 100 | 20 | BWVS11630 |



Note:

Installation should always be performed by a licensed operator. It is the responsibility of the installer to check that both the pipe(s) and fitting(s) that are installed are compatible, only compatible materials should be joined together. It is the responsibility of the licensed installer to check the PN and SDR ratings marked on the fitting(s) and ensure that the pipe is compatible. Correct installation procedures should always be followed.

The drawings, materials and specifications outlined are subject to change without notice due to the continuous improvements and development of our product range.

FUSION QLD PTY LTD

ABN: 42 987 067 369
13 Vision Court, Noosaville, QLD, 4566
42-44 South Link, Dandenong, VIC, 3175

CONTACT

T: +61 7 5474 3000 (Qld)
T: +61 3 9037 4755 (Vic)
E: sales@fusionqld.com.au
W: fusionqld.com.au

TECHNICAL DATA | STUB FLANGE SHORT SDR17

Standards: AS/NZS 4129 | SDR17

Size Range: 90 mm - 1000 mm

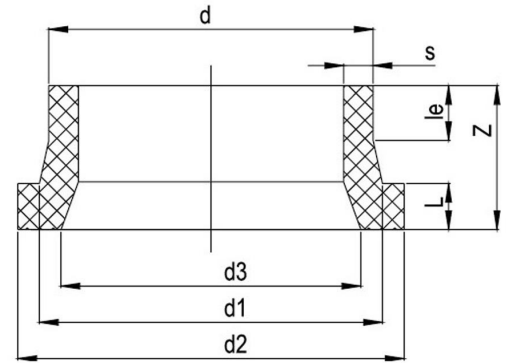
Materials: Polyethelyne (PE) 100

Pressure Rating: SDR17: PN10, Water | 5 BAR, Gas

Fitting Details: Injection moulded



| d mm | d1 mm | d2 mm | d3 mm | le mm | L mm | Z mm | s mm | Code |
|------|-------|-------|-------|-------|------|------|------|------------|
| 90 | 103 | 128 | 78 | 22 | 20 | 60 | 5.4 | BWSF1790 |
| 110 | 124 | 160 | 96 | 22 | 20 | 60 | 6.6 | BWSF17110 |
| 125 | 128 | 192 | 110 | 23 | 25 | 65 | 7.4 | BWSF17125 |
| 160 | 168 | 217 | 140 | 23 | 25 | 65 | 9.5 | BWSF17160 |
| 180 | 180 | 217 | 158 | 23 | 25 | 65 | 10.7 | BWSF17180 |
| 200 | 225 | 270 | 175 | 23.5 | 30 | 75 | 11.9 | BWSF17200 |
| 225 | 230 | 270 | 198 | 24 | 30 | 80 | 13.4 | BWSF17225 |
| 250 | 276.5 | 334 | 219 | 24.15 | 35 | 80 | 14.8 | BWSF17250 |
| 280 | 290 | 334 | 246 | 25.33 | 35 | 85 | 16.4 | BWSF17280 |
| 315 | 330 | 380 | 278 | 28.84 | 40 | 90 | 18.7 | BWSF17315 |
| 355 | 364.1 | 444 | 311 | 30.44 | 40 | 100 | 21.1 | BWSF17355 |
| 400 | 417.4 | 495 | 351 | 27.08 | 40 | 100 | 23.7 | BWSF17400 |
| 450 | 470 | 545 | 395 | 30 | 60 | 110 | 26.7 | BWSF17450 |
| 500 | 520 | 596 | 440 | 30 | 60 | 125 | 29.6 | BWSF17500 |
| 560 | 582 | 657 | 494 | 30 | 60 | 130 | 33.2 | BWSF17560 |
| 630 | 640 | 710 | 554 | 30 | 60 | 130 | 37.3 | BWSF17630 |
| 710 | 735 | 800 | 624 | 30 | 60 | 130 | 42.1 | BWSF17710 |
| 800 | 840 | 904 | 704 | 30 | 92 | 162 | 47.4 | BWSF17800 |
| 900 | 944 | 1000 | 791 | 23 | 93 | 170 | 53.5 | BWSF17900 |
| 1000 | 1052 | 1105 | 880 | 30 | 113 | 183 | 59.3 | BWSF171000 |



Note:

Installation should always be performed by a licensed operator. It is the responsibility of the installer to check that both the pipe(s) and fitting(s) that are installed are compatible, only compatible materials should be joined together. It is the responsibility of the licensed installer to check the PN and SDR ratings marked on the fitting(s) and ensure that the pipe is compatible. Correct installation procedures should always be followed.

The drawings, materials and specifications outlined are subject to change without notice due to the continuous improvements and development of our product range.

FUSION QLD PTY LTD

ABN: 42 987 067 369
13 Vision Court, Noosaville, QLD, 4566
42-44 South Link, Dandenong, VIC, 3175

CONTACT

T: +61 7 5474 3000 (Qld)
T: +61 3 9037 4755 (Vic)
E: sales@fusionqld.com.au
W: fusionqld.com.au

TECHNICAL DATA | 90° ELBOW SHORT SDR17

Standards: AS/NZS 4129 | SDR17

Size Range: 450 mm - 630 mm

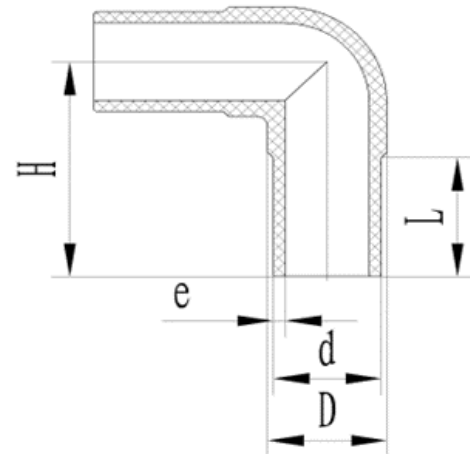
Materials: Polyethelyne (PE) 100

Pressure Rating: PN10, Water | 5 BAR, Gas

Fitting Details: Injected



| size mm | dn mm | H mm | L mm | D mm | e mm | Weight kg | Code |
|------------|-------|------|------|------|------|-----------|-------------|
| 450 | 458 | 379 | 110 | 468 | 26.7 | 31.9 | BWEL1790450 |
| 500 | 508 | 405 | 110 | 519 | 29.6 | 41.5 | BWEL1790500 |
| 560 | 561 | 439 | 110 | 579 | 33.2 | 54.1 | BWEL1790560 |
| 630 | 630 | 480 | 110 | 656 | 37.3 | 90.6 | BWEL1790630 |



Note:

Installation should always be performed by a licensed operator. It is the responsibility of the installer to check that both the pipe(s) and fitting(s) that are installed are compatible, only compatible materials should be joined together. It is the responsibility of the licensed installer to check the PN and SDR ratings marked on the fitting(s) and ensure that the pipe is compatible. Correct installation procedures should always be followed.

The drawings, materials and specifications outlined are subject to change without notice due to the continuous improvements and development of our product range.

FUSION QLD PTY LTD

ABN: 42 987 067 369
13 Vision Court, Noosaville, QLD, 4566
42-44 South Link, Dandenong, VIC, 3175

CONTACT

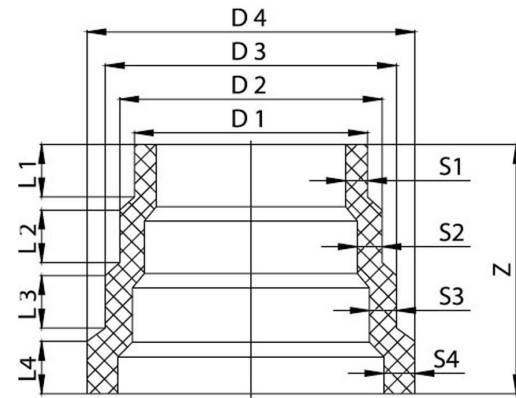
T: +61 7 5474 3000 (Qld)
T: +61 3 9037 4755 (Vic)
E: sales@fusionqld.com.au
W: fusionqld.com.au

TECHNICAL DATA | MULTI REDUCER SHORT SDR17

| | |
|------------------|--------------------------|
| Standards: | AS/NZS 4129 SDR17 |
| Size Range: | 225mm - 630mm |
| Materials: | Polyethelyne (PE) 100 |
| Pressure Rating: | PN10, Water 5 BAR, Gas |
| Fitting Details: | Injected |



| D4 mm | D1 mm | D3 mm | D2 mm | L1 mm | L2 mm | L3 mm | L4 mm | Z mm | Weight kg | Code |
|------------|------------|-------|-------|-------|-------|-------|-------|------|-----------|--------------|
| 225 | 160 | 200 | 180 | 36 | 36 | 36 | 36 | 171 | 1.245 | BWRM17225160 |
| 315 | 225 | 280 | 250 | 36 | 36 | 36 | 36 | 171 | 2.510 | BWRM17315225 |
| 450 | 315 | 400 | 355 | 36 | 36 | 36 | 52 | 180 | 5.930 | BWRM17450315 |
| 630 | 450 | 560 | 500 | 36 | 36 | 36 | 72 | 208 | 13.895 | BWRM17630450 |



Note:

Installation should always be performed by a licensed operator. It is the responsibility of the installer to check that both the pipe(s) and fitting(s) that are installed are compatible, only compatible materials should be joined together. It is the responsibility of the licensed installer to check the PN and SDR ratings marked on the fitting(s) and ensure that the pipe is compatible. Correct installation procedures should always be followed.

The drawings, materials and specifications outlined are subject to change without notice due to the continuous improvements and development of our product range.

FUSION QLD PTY LTD

ABN: 42 987 067 369
13 Vision Court, Noosaville, QLD, 4566
42-44 South Link, Dandenong, VIC, 3175

CONTACT

T: +61 7 5474 3000 (Qld)
T: +61 3 9037 4755 (Vic)
E: sales@fusionqld.com.au
W: fusionqld.com.au

TECHNICAL DATA | END CAP SHORT SDR17

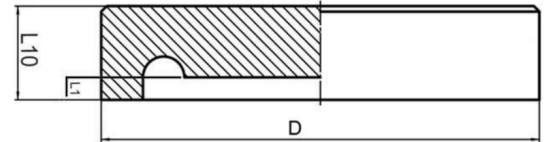
Standards: AS/NZS 4129 | SDR17

Size Range: 355mm - 800mm

Materials: Polyethelyne (PE) 100

Pressure Rating: PN10, Water | 5 BAR, Gas

Fitting Details: Injected



| D mm | L10 mm | L1 mm | Weight kg | Code |
|------|--------|-------|-----------|------------|
| 355 | 75 | 20 | 5.4 | BWCAP17355 |
| 400 | 80 | 20 | 7.4 | BWCAP17400 |
| 450 | 90 | 20 | 10.9 | BWCAP17450 |
| 500 | 95 | 20 | 14.3 | BWCAP17500 |
| 560 | 105 | 20 | 20.1 | BWCAP17560 |
| 630 | 125 | 30 | 28.9 | BWCAP17630 |

Note:

Installation should always be performed by a licensed operator. It is the responsibility of the installer to check that both the pipe(s) and fitting(s) that are installed are compatible, only compatible materials should be joined together. It is the responsibility of the licensed installer to check the PN and SDR ratings marked on the fitting(s) and ensure that the pipe is compatible. Correct installation procedures should always be followed.

The drawings, materials and specifications outlined are subject to change without notice due to the continuous improvements and development of our product range.

FUSION QLD PTY LTD

ABN: 42 987 067 369
13 Vision Court, Noosaville, QLD, 4566
42-44 South Link, Dandenong, VIC, 3175

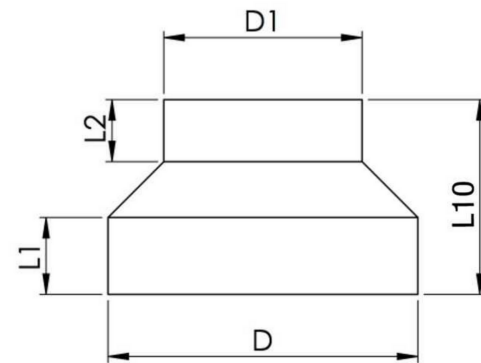
CONTACT

T: +61 7 5474 3000 (Qld)
T: +61 3 9037 4755 (Vic)
E: sales@fusionqld.com.au
W: fusionqld.com.au

TECHNICAL DATA | REDUCER SHORT SDR17

| | |
|------------------|--------------------------|
| Standards: | AS/NZS 4129 SDR17 |
| Size Range: | 75 x 63mm - 630 x 560mm |
| Materials: | Polyethelyne (PE) 100 |
| Pressure Rating: | PN10, Water 5 BAR, Gas |

| D mm | d1 mm | L10 mm | L1 mm | L2 mm | Weight kg | Code |
|------|-------|--------|-------|-------|-----------|-------------|
| 75 | 63 | 70 | 29 | 31 | 0.1 | BWR177563 |
| 90 | 63 | 71 | 29 | 24 | 0.1 | BWR179063 |
| 90 | 75 | 80 | 33 | 33 | 0.1 | BWR179075 |
| 110 | 63 | 91 | 42 | 23 | 0.2 | BWR1711063 |
| 110 | 75 | 90 | 34 | 35 | 0.2 | BWR1711075 |
| 110 | 90 | 88 | 40 | 28 | 0.2 | BWR1711090 |
| 125 | 63 | 100 | 40 | 34 | 0.2 | BWR1712563 |
| 125 | 75 | 103 | 48 | 31 | 0.3 | BWR1712575 |
| 125 | 90 | 100 | 38 | 30 | 0.3 | BWR1712590 |
| 125 | 110 | 100 | 40 | 40 | 0.28 | BWR17125110 |
| 140 | 75 | 110 | 49 | 37 | 0.3 | BWR1714075 |
| 140 | 90 | 126 | 45 | 28 | 0.3 | BWR1714090 |
| 140 | 110 | 126 | 45 | 34 | 0.3 | BWR17140110 |
| 140 | 125 | 128 | 45 | 42 | 0.4 | BWR17140125 |
| 160 | 90 | 120 | 53 | 37 | 0.5 | BWR1716090 |
| 160 | 110 | 125 | 50 | 39 | 0.5 | BWR17160110 |
| 160 | 125 | 120 | 54 | 45 | 0.5 | BWR17160125 |
| 160 | 140 | 98 | 44 | 43 | 0.6 | BWR17160140 |
| 180 | 90 | 130 | 59 | 37 | 0.7 | BWR1718090 |
| 180 | 110 | 130 | 60 | 40 | 0.8 | BWR17180110 |
| 180 | 125 | 143 | 52 | 40 | 0.71 | BWR17180125 |
| 180 | 140 | 135 | 51 | 47 | 0.67 | BWR17180140 |
| 180 | 160 | 140 | 60 | 50 | 0.75 | BWR17180160 |



The drawings, materials and specifications outlined are subject to change without notice due to the continuous improvements and development of our product range.

FUSION QLD PTY LTD

ABN: 42 987 067 369
13 Vision Court, Noosaville, QLD, 4566
42-44 South Link, Dandenong, VIC, 3175

CONTACT

T: +61 7 5474 3000 (Qld)
T: +61 3 9037 4755 (Vic)
E: sales@fusionqld.com.au
W: fusionqld.com.au

TECHNICAL DATA | REDUCER SHORT SDR17

Standards: AS/NZS 4129 | SDR17

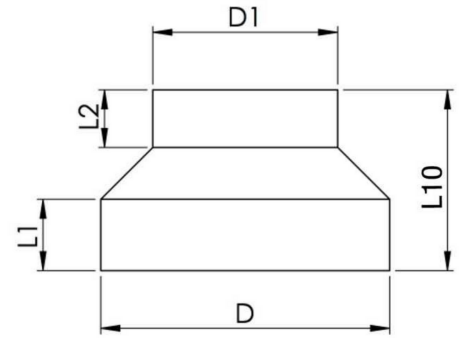
Size Range: 75 x 63mm - 630 x 560mm

Materials: Polyethylene (PE) 100

Pressure Rating: PN10, Water | 5 BAR, Gas



| D mm | d1 mm | L10 mm | L1 mm | L2 mm | Weight kg | Code |
|------|-------|--------|-------|-------|-----------|-------------|
| 200 | 140 | 140 | 60 | 48 | 0.9 | BWR17200140 |
| 200 | 160 | 140 | 60 | 54 | 1 | BWR17200160 |
| 200 | 180 | 145 | 62 | 54 | 0.97 | BWR17200180 |
| 225 | 140 | 160 | 65 | 57 | 1.8 | BWR17225140 |
| 225 | 160 | 190 | 65 | 50 | 1.4 | BWR17225160 |
| 225 | 180 | 190 | 65 | 55 | 1.3 | BWR17225180 |
| 225 | 200 | 149 | 62 | 52 | 1.21 | BWR17225200 |
| 250 | 160 | 157 | 55 | 55 | 1.45 | BWR17250160 |
| 250 | 180 | 150 | 62 | 50 | 1.95 | BWR17250180 |
| 250 | 200 | 138 | 60 | 50 | 1.68 | BWR17250200 |
| 250 | 225 | 142 | 50 | 68 | 1.66 | BWR17250225 |
| 280 | 200 | 160 | 72 | 51 | 1.94 | BWR17280200 |
| 280 | 225 | 154 | 72 | 57 | 1.95 | BWR17280225 |
| 280 | 250 | 150 | 71 | 64 | 2 | BWR17280250 |
| 315 | 200 | 231 | 95 | 85 | 3.1 | BWR17315200 |
| 315 | 225 | 184 | 82 | 57 | 2.85 | BWR17315225 |
| 315 | 250 | 178 | 81 | 62 | 4.06 | BWR17315250 |
| 315 | 280 | 175 | 79 | 72 | 2.84 | BWR17315280 |
| 355 | 225 | 213 | 92 | 57 | 3.73 | BWR17355225 |
| 355 | 250 | 195 | 87 | 62 | 3.85 | BWR17355250 |
| 355 | 280 | 200 | 87 | 77 | 3.96 | BWR17355280 |
| 355 | 315 | 188 | 88 | 78 | 3.99 | BWR17355315 |
| 400 | 280 | 226 | 96 | 73 | 5.36 | BWR17400280 |
| 400 | 315 | 218 | 97 | 83 | 5.57 | BWR17400315 |
| 400 | 355 | 203 | 64 | 92 | 6.05 | BWR17400355 |



The drawings, materials and specifications outlined are subject to change without notice due to the continuous improvements and development of our product range.

FUSION QLD PTY LTD

ABN: 42 987 067 369
13 Vision Court, Noosaville, QLD, 4566
42-44 South Link, Dandenong, VIC, 3175

CONTACT

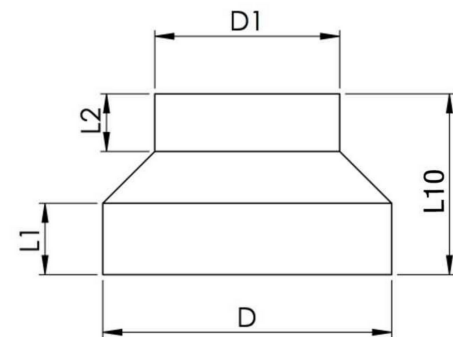
T: +61 7 5474 3000 (Qld)
T: +61 3 9037 4755 (Vic)
E: sales@fusionqld.com.au
W: fusionqld.com.au

TECHNICAL DATA | REDUCER SHORT SDR17

Standards: AS/NZS 4129 | SDR17
 Size Range: 75 x 63mm - 630 x 560mm
 Materials: Polyethelyne (PE) 100
 Pressure Rating: PN10, Water | 5 BAR, Gas



| D mm | d1 mm | L10 mm | L1 mm | L2 mm | Weight kg | Code |
|------|-------|--------|-------|-------|-----------|--------------|
| 450 | 315 | 206 | 64 | 76 | 6.4 | BWR17450315 |
| 450 | 355 | 203 | 64 | 92 | 6.05 | BWR17450355 |
| 450 | 400 | 188 | 64 | 99 | 6.1 | BWR17450400 |
| 500 | 355 | 210 | 62 | 81 | 7.97 | BWR17500355 |
| 500 | 450 | 166 | 63 | 63 | 7.13 | BWR17500450 |
| 560 | 400 | 240 | 60 | 98 | 10.97 | BWR17560400 |
| 560 | 450 | 187 | 60 | 65 | 9.04 | BWR17560450 |
| 560 | 500 | 192 | 62 | 61 | 9.04 | BWR17560500 |
| 630 | 450 | 234 | 60 | 68 | 13.8 | BWR17630450 |
| 630 | 500 | 192 | 62 | 61 | 13.3 | BWR175630500 |
| 630 | 560 | 188 | 64 | 65 | 14.26 | BWR17630560 |



Note:

Installation should always be performed by a licensed operator. It is the responsibility of the installer to check that both the pipe(s) and fitting(s) that are installed are compatible, only compatible materials should be joined together. It is the responsibility of the licensed installer to check the PN and SDR ratings marked on the fitting(s) and ensure that the pipe is compatible. Correct installation procedures should always be followed.

The drawings, materials and specifications outlined are subject to change without notice due to the continuous improvements and development of our product range.

FUSION QLD PTY LTD

ABN: 42 987 067 369
 13 Vision Court, Noosaville, QLD, 4566
 42-44 South Link, Dandenong, VIC, 3175

CONTACT

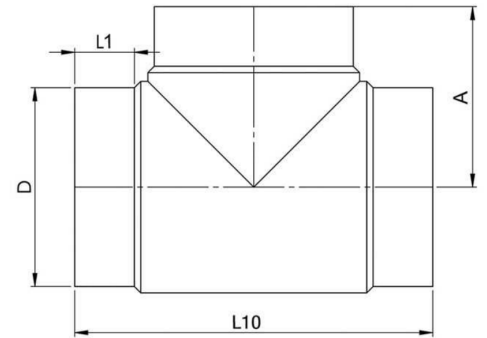
T: +61 7 5474 3000 (Qld)
 T: +61 3 9037 4755 (Vic)
 E: sales@fusionqld.com.au
 W: fusionqld.com.au

TECHNICAL DATA | TEE SHORT SDR17

| | |
|------------------|--------------------------|
| Standards: | AS/NZS 4129 SDR17 |
| Size Range: | 450mm - 630mm |
| Materials: | Polyethelyne (PE) 100 |
| Pressure Rating: | PN10, Water 5 BAR, Gas |
| Fitting Details: | Injected |



| D mm | L10 mm | L1 mm | A mm | Weight kg | Code |
|------|--------|-------|------|-----------|---------|
| 450 | 732 | 100 | 732 | 39.4 | BT17450 |
| 500 | 855 | 130 | 855 | 58.2 | BT17500 |
| 560 | 865 | 100 | 865 | 67.5 | BT17560 |
| 630 | 1020 | 130 | 1020 | 104.2 | BT17630 |



Note:

Installation should always be performed by a licensed operator. It is the responsibility of the installer to check that both the pipe(s) and fitting(s) that are installed are compatible, only compatible materials should be joined together. It is the responsibility of the licensed installer to check the PN and SDR ratings marked on the fitting(s) and ensure that the pipe is compatible. Correct installation procedures should always be followed.

The drawings, materials and specifications outlined are subject to change without notice due to the continuous improvements and development of our product range.

FUSION QLD PTY LTD

ABN: 42 987 067 369
13 Vision Court, Noosaville, QLD, 4566
42-44 South Link, Dandenong, VIC, 3175

CONTACT

T: +61 7 5474 3000 (Qld)
T: +61 3 9037 4755 (Vic)
E: sales@fusionqld.com.au
W: fusionqld.com.au