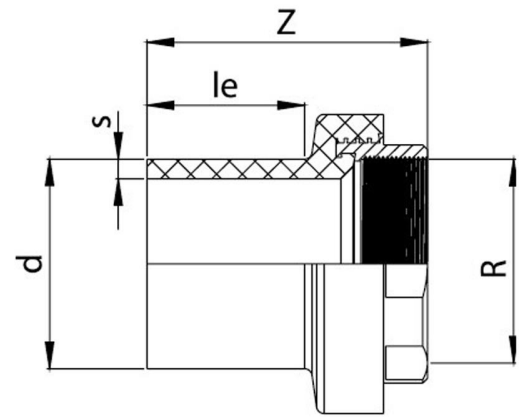
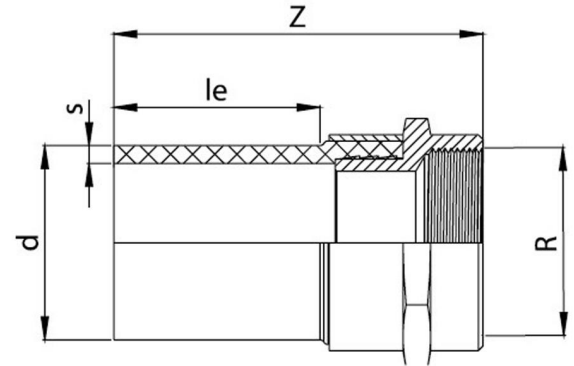


## TECHNICAL DATA | BRASS TRANSITION ADAPTOR FEMALE

- Standards: AS/NZS 4129 | MS58  
 Size Range: 20 x 1/2" - 125 x 4"  
 Materials: Polyethylene (PE) 100  
 Brass  
 Pressure Rating: PN16, Water | PN10, Gas  
 \*Compatible for water applications only
- Fitting Details:
- Female Thread
  - Injected
  - Long Spigot



d mm	R inch	le mm	Z mm	S mm	Weight kg	Code
20	1/2"	41	75	3	0.065	EFTAF2012
25	3/4"	41	78	3	0.095	EFTAF2534
32	1"	44	85	3	0.145	EFTAF321
40	1 1/4"	49	100	3.7	0.270	EFTAF40114
50	1 1/2"	55	111	4.6	0.375	EFTAF50112
63	2"	63	124	5.8	0.550	EFTAF632
75 *	2 1/2"	70	129	6.8	0.825	EFTAF75212
90 *	3"	79	144	8.2	1.130	EFTAF903
110 *	4"	82	147	10	1.690	EFTAF1104
125 *	4"	87	153	11.4	1.760	EFTAF1254

**Note:**

Installation should always be performed by a licensed operator. It is the responsibility of the installer to check that both the pipe(s) and fitting(s) that are installed are compatible, only compatible materials should be joined together. It is the responsibility of the licensed installer to check the PN and SDR ratings marked on the fitting(s) and ensure that the pipe is compatible. Correct installation procedures should always be followed.

The drawings, materials and specifications outlined are subject to change without notice due to the continuous improvements and development of our product range.

**FUSION QLD PTY LTD**

ABN: 42 987 067 369  
 13 Vision Court, Noosaville, QLD, 4566  
 42-44 South Link, Dandenong, VIC, 3175

**CONTACT**

T: +61 7 5474 3000 (Qld)  
 T: +61 3 9037 4755 (Vic)  
 E: sales@fusionqld.com.au  
 W: fusionqld.com.au