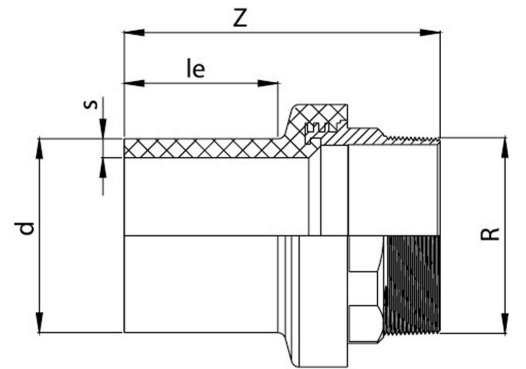
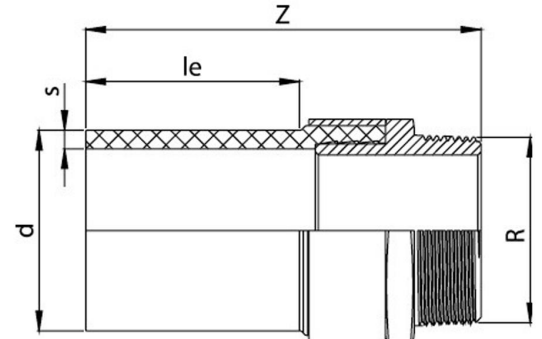


TECHNICAL DATA | BRASS TRANSITION ADAPTOR MALE

- Standards: AS/NZS 4129 | MS58
- Size Range: 20 x 1/2" - 125 x 4"
- Materials: Polyethylene (PE) 100
Brass
- Pressure Rating: PN16, Water | PN10, Gas
*Compatible for water applications only
- Fitting Details:
 - Male Thread
 - Injected
 - Long Spigot



d mm	R inch	le mm	Z mm	S mm	Weight kg	Code
20	1/2"	41	76	3	0.060	EFTAM2012
25	3/4"	41	79	3	0.100	EFTAM2534
32	1"	44	86	3	0.140	EFTAM321
40	1 1/4"	49	101	3.7	0.255	EFTAM40114
50	1 1/2"	55	112	4.6	0.370	EFTAM50112
63	2"	63	125	5.8	0.560	EFTAM632
75 *	2 1/2"	70	146	6.8	0.980	EFTAM75212
90 *	3"	79	168	8.2	1.410	EFTAM903
110 *	4"	82	179	10	2.080	EFTAM1104
125 *	4"	87	186	11.4	2.230	EFTAM1254

Note:

Installation should always be performed by a licensed operator. It is the responsibility of the installer to check that both the pipe(s) and fitting(s) that are installed are compatible, only compatible materials should be joined together. It is the responsibility of the licensed installer to check the PN and SDR ratings marked on the fitting(s) and ensure that the pipe is compatible. Correct installation procedures should always be followed.

The drawings, materials and specifications outlined are subject to change without notice due to the continuous improvements and development of our product range.

FUSION QLD PTY LTD

ABN: 42 987 067 369
13 Vision Court, Noosaville, QLD, 4566
42-44 South Link, Dandenong, VIC, 3175

CONTACT

T: +61 7 5474 3000 (Qld)
T: +61 3 9037 4755 (Vic)
E: sales@fusionqld.com.au
W: fusionqld.com.au