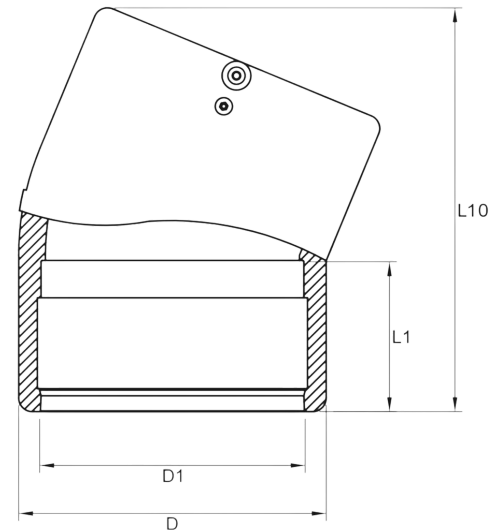


TECHNICAL DATA | EF ELBOW 22.5°

- Standards: AS/NZS 4129 | SDR11 | SDR17
 Size: 180mm
 Materials: Polyethelyne (PE) 100
 Pressure Rating: PN16, Water | PN10, Gas
 Fitting Details:
 - Injected
 - 4mm pin connectors



d mm	L10 mm	L1 mm	D mm	D1 mm	Weight kg	Compatibilty SDR	Code
180	278	105	213	180	2.89	11 - 17.6	EFE22180



Note:

Installation should always be performed by a licensed operator. It is the responsibility of the installer to check that both the pipe(s) and fitting(s) that are installed are compatible, only compatible materials should be joined together. It is the responsibility of the licensed installer to check the PN and SDR ratings marked on the fitting(s) and ensure that the pipe is compatible. Correct installation procedures should always be followed.

The drawings, materials and specifications outlined are subject to change without notice due to the continuous improvements and development of our product range.

FUSION QLD PTY LTD

ABN: 42 987 067 369
 13 Vision Court, Noosaville, QLD, 4566
 42-44 South Link, Dandenong, VIC, 3175

CONTACT

T: +61 7 5474 3000 (Qld)
 T: +61 3 9037 4755 (Vic)
 E: sales@fusionqld.com.au
 W: fusionqld.com.au