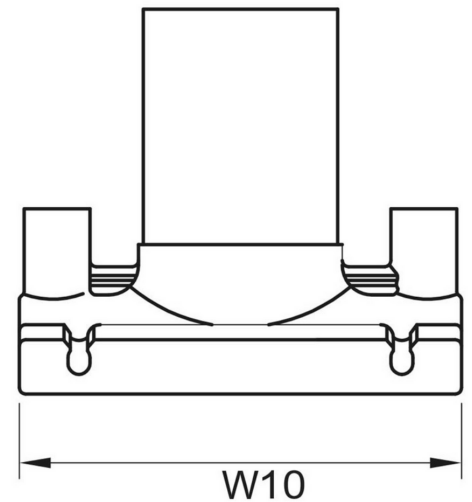
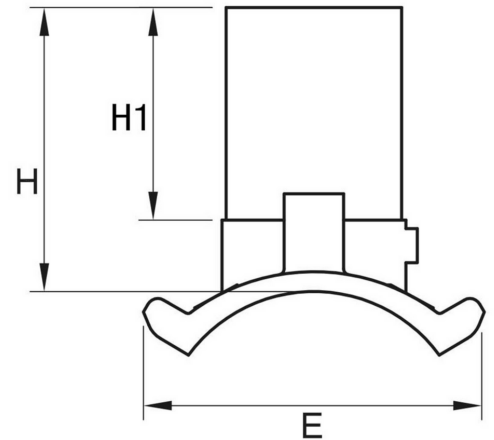


## TECHNICAL DATA | EF BRANCH SADDLE

Standards: AS/NZS 4129 | SDR11 | SDR17  
 Size Range: 250 mm x 63 mm - 450 mm x 63 mm  
 Materials: Polyethylene (PE) 100

Pressure Rating: PN16, Water | PN10, Gas

- Fitting Details:
- 63mm outlet
  - 4mm automatic pin



size mm	H mm	H1 mm	W10 mm	E mm	Weight kg	Compatibility SDR	Code
<b>250 x 63</b>	125	75	146	122	0.36	11 - 21	EFBSU25063
<b>280 x 63</b>	140	75	146	122	0.35	11 - 21	EFBSU28063
<b>315 x 63</b>	140	75	146	122	0.382	11 - 21	EFBSU31563
<b>355 x 63</b>	140	75	146	122	0.391	11 - 21	EFBSU35563
<b>400 x 63</b>	146	72	146	152	0.4	11 -21	EFBSU40063
<b>450 x 63</b>	146	72	146	152	0.4	11 - 21	EFBSU45063

**Note:**

Installation should always be performed by a licensed operator. It is the responsibility of the installer to check that both the pipe(s) and fitting(s) that are installed are compatible, only compatible materials should be joined together. It is the responsibility of the licensed installer to check the PN and SDR ratings marked on the fitting(s) and ensure that the pipe is compatible. Correct installation procedures should always be followed.

The drawings, materials and specifications outlined are subject to change without notice due to the continuous improvements and development of our product range.

**FUSION QLD PTY LTD**

ABN: 42 987 067 369  
 13 Vision Court, Noosaville, QLD, 4566  
 42-44 South Link, Dandenong, VIC, 3175

**CONTACT**

T: +61 7 5474 3000 (Qld)  
 T: +61 3 9037 4755 (Vic)  
 E: sales@fusionqld.com.au  
 W: fusionqld.com.au