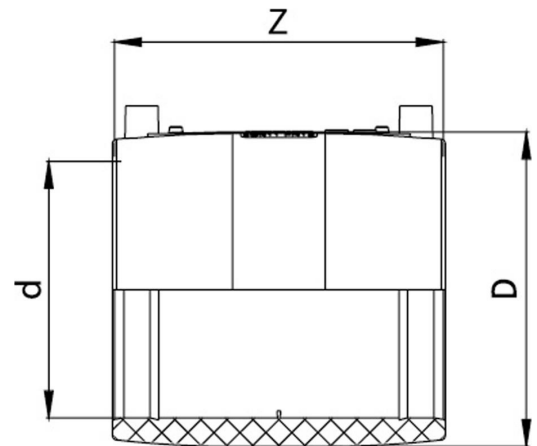


TECHNICAL DATA | EF COUPLER SDR11 - SDR17

- Standards: AS/NZS 4129 | SDR19 | SDR11 | SDR13.6 | SDR17
- Size Range: 20 mm - 1200 mm
- Materials: Polyethelyne (PE) 100
- Pressure Rating: PN16, Water | PN10, Gas
- Fitting Details:
- Injected (up to 400mm)
 - 4mm pin connectors
 - Removable centre stopper (up to 400mm)



d mm	D mm	Z mm	Weight kg	Compatibility SDR	Code
20	32	75	0.042	9, 11	EFC20
25	37	80	0.045	9, 11	EFC25
32	44	85	0.065	9, 11	EFC32
40	55	90	0.090	9, 11	EFC40
50	62	91	0.150	9, 11	EFC50
63	80	98	0.220	9, 11	EFC63
75	94	110	0.255	9, 11, 17	EFC75
90	115	124	0.380	9, 11, 17	EFC90
110	137	144	0.640	9, 11, 17	EFC110
125	155	154	0.759	9, 11, 17	EFC125
140	172	162	0.985	9, 11, 17	EFC140
160	196	172	1.360	9, 11, 17	EFC160
180	219	184	1.900	9, 11, 17	EFC180
200	241	198	2.425	9, 11, 17	EFC200
225	272	212	3.175	9, 11, 17	EFC225
250	303	228	4.440	9, 11, 17	EFC250
280	338	244	6.110	9, 11, 17	EFC280
315	385	264	8.750	9, 11, 17	EFC315
355	433	280	10.385	9, 11, 17	EFC355
400	488	300	13.980	9, 11, 17	EFC40011
450	560	320	20.600	9, 11, 17	EFC45011
500	621	360	28.450	11, 13.6	EFC50011



The drawings, materials and specifications outlined are subject to change without notice due to the continuous improvements and development of our product range.

FUSION QLD PTY LTD

ABN: 42 987 067 369
13 Vision Court, Noosaville, QLD, 4566
42-44 South Link, Dandenong, VIC, 3175

CONTACT

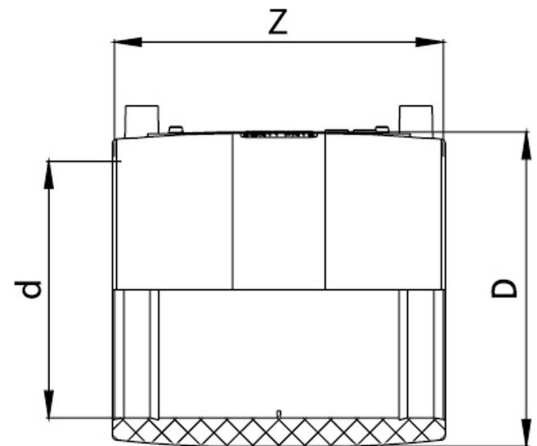
T: +61 7 5474 3000 (Qld)
T: +61 3 9037 4755 (Vic)
E: sales@fusionqld.com.au
W: fusionqld.com.au

TECHNICAL DATA | EF COUPLER SDR11 - SDR17

- Standards: AS/NZS 4129 | SDR19 | SDR11 | SDR13.6 | SDR17
- Size Range: 20 mm - 1200 mm
- Materials: Polyethelyne (PE) 100
- Pressure Rating: PN16, Water | PN10, Gas
- Fitting Details:
- Injected (up to 400mm)
 - 4mm pin connectors
 - Removable centre stopper (up to 400mm)



d mm	D mm	Z mm	Weight kg	Compatibility SDR	Code
560	695	390	39.500	11, 13.6	EFC56011
630	780	430	53.000	11, 13.6	EFC63011
710	882	475	71.200	11, 13.6	EFC71011
800	993	520	101.200	11, 13.6	EFC80011
900	1115	550	137.700	11, 13.6	EFC90011
1000	1238	600	187.700	11, 13.6	EFC100011
1200	1483	650	294.500	11, 13.6	EFC120011



Note:

Installation should always be performed by a licensed operator. It is the responsibility of the installer to check that both the pipe(s) and fitting(s) that are installed are compatible, only compatible materials should be joined together. It is the responsibility of the licensed installer to check the PN and SDR ratings marked on the fitting(s) and ensure that the pipe is compatible. Correct installation procedures should always be followed.

The drawings, materials and specifications outlined are subject to change without notice due to the continuous improvements and development of our product range.

FUSION QLD PTY LTD

ABN: 42 987 067 369
13 Vision Court, Noosaville, QLD, 4566
42-44 South Link, Dandenong, VIC, 3175

CONTACT

T: +61 7 5474 3000 (Qld)
T: +61 3 9037 4755 (Vic)
E: sales@fusionqld.com.au
W: fusionqld.com.au