

LONG SPIGOT FITTINGS TECHNICAL DATA



TECHNICAL DATA | STUB FLANGE LONG SDR11

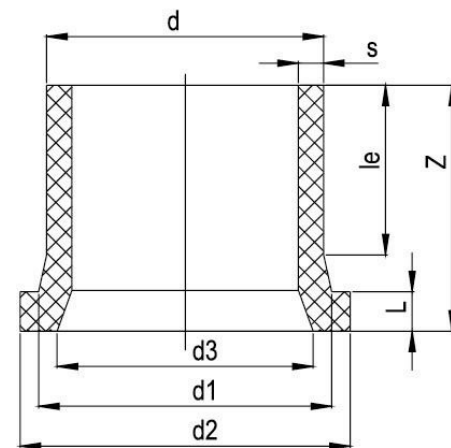
Standards: AS/NZS 4129 | SDR11

Size Range: 20 mm - 630 mm

Materials: Polyethelyne (PE) 100

Pressure Rating: PN16, Water | 10 BAR, Gas

- Fitting Details:
- Injection
 - Suitable for Butterfly Valve
 - *With pipe extension
 - **Spacer needed for Butterfly Valve



d mm	d1 mm	d2 mm	d3 mm	le mm	L mm	Z mm	s mm	Weight kg	Code
20	28	45	-	55	7	80	3	0.025	BWSFL11020
25	34	58	-	62	9	81	3	0.037	BWSFL11025
32	42	68	-	61	10	86	3	0.058	BWSFL11032
40	51	78	-	60	11	88	3.7	0.085	BWSFL11040
50	62	88	-	63	12	92	4.6	0.125	BWSFL11050
63	78	102	-	88	14	120	5.8	0.220	BWSFL11063
75	92	122	-	97	16	130	6.8	0.330	BWSFL11075
90	108	138	-	103	17	140	8.2	0.460	BWSFL11090
110	125	158	-	113	18	155	10	0.690	BWSFL11110
125	135	158	-	120	20	159	11.4	0.820	BWSFL11125
140	155	188	-	128	25	190	12.7	1.330	BWSFL11140
160	175	212	154	155	25	200	14.6	1.680	BWSFL11160
180	188	212	158	152	30	207	16.4	2.020	BWSFL11180
200	232	268	208	153	32	210	18.2	2.850	BWSFL11200
225	238	268	208	129	32	180	20.5	2.840	BWSFL11225
250	288	320	260	140	35	205	22.7	3.970	BWSFL11250
280	288	320	260	145	35	211	25.4	5.000	BWSFL11280

The drawings, materials and specifications outlined are subject to change without notice due to the continuous improvements and development of our product range.

FUSION QLD PTY LTD

ABN: 42 987 067 369
13 Vision Court, Noosaville, QLD, 4566
42-44 South Link, Dandenong, VIC, 3175

CONTACT

T: +61 7 5474 3000 (Qld)
T: +61 3 9037 4755 (Vic)
E: sales@fusionqld.com.au
W: fusionqld.com.au

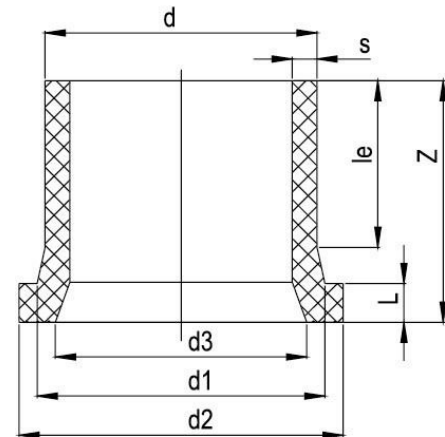
TECHNICAL DATA | STUB FLANGE LONG SDR11

Standards: AS/NZS 4129 | SDR11
 Size Range: 20 mm - 630 mm
 Materials: Polyethylene (PE) 100
 Pressure Rating: PN16, Water | 10 BAR, Gas

- Fitting Details:
- Injection
 - Suitable for Butterfly Valve
 - *With pipe extension
 - **Spacer needed for Butterfly Valve



d mm	d1 mm	d2 mm	d3 mm	le mm	L mm	Z mm	s mm	Weight kg	Code
315	338	375	305	156	35	224	28.6	6.360	BWSFL11315
355	376	435	345	170	45	240	32.3	9.490	BWSFL11355
400	430	485	396	185	50	264	36.4	13.160	BWSFL11400
*450 (DN450)	465	545	442	195	65	360	40.9	23.550	BWSFL11450
*500	530	590	494	212	60	354	45.5	25.650	BWSFL11500
*560 / **	618	690	580	235	80	423	50.8	40.150	BWSFL11560
*630	645	690	580	235	80	423	50.8	43.300	BWSFL11630



Note:

Installation should always be performed by a licensed operator. It is the responsibility of the installer to check that both the pipe(s) and fitting(s) that are installed are compatible, only compatible materials should be joined together. It is the responsibility of the licensed installer to check the PN and SDR ratings marked on the fitting(s) and ensure that the pipe is compatible. Correct installation procedures should always be followed.

The drawings, materials and specifications outlined are subject to change without notice due to the continuous improvements and development of our product range.

FUSION QLD PTY LTD

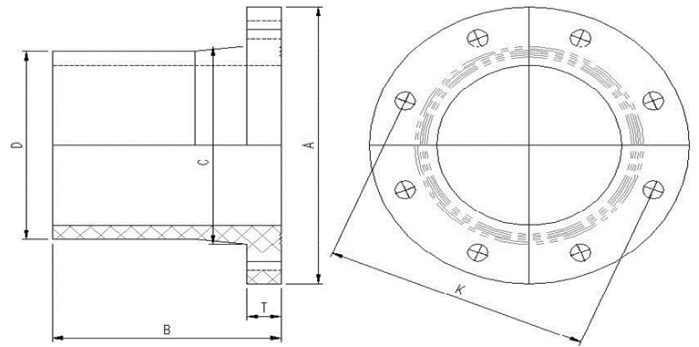
ABN: 42 987 067 369
 13 Vision Court, Noosaville, QLD, 4566
 42-44 South Link, Dandenong, VIC, 3175

CONTACT

T: +61 7 5474 3000 (Qld)
 T: +61 3 9037 4755 (Vic)
 E: sales@fusionqld.com.au
 W: fusionqld.com.au

TECHNICAL DATA | MAXI STUB WITH SS BACKING RING

Standards:	AS/NZS 4129 SDR11
Size Range:	DN 90 - DN 630
Materials:	Stub Flanges: Polyethylene (PE) 100 Backing Rings: Stainless Steel 316
Pressure Rating:	PN16
Spigot Options:	Short Spigot - Suitable for Butt Welding Only Long Spigot - Suitable for Butt Welding and Electrofusion Welding
Backing Rings:	Refer to PIPA guideline POP007 Metal Backing Flanges for PE, for backing ring details and flange joint installation



Pipe Size mm	Drilling Size inch	K mm	T mm	Bolt mm	A mm	B mm	C mm	Code
90	3"	146	20	M16	180	112	104	BWMSD903
90	3" / 4"	146 / 178	20	M16	220	118	100	BWMSD9034
110	4"	178	20	M16	215	127	178	BWMSD1104
125	4"	178	20	M16	215	134	132	BWMSD1254
160	6"	235	25	M16	280	183	180	BWMSD1606
180	6"	235	25	M16	280	183	180	BWMSD1806
250	8"	292	35	M16	335	197	250	BWMSD2508
280	9"	324	35	M16	370	215	292	BWMSD2809
315	10"	356	40	M20	405	230	315	BWMSD31510
355	12"	406	45	M20	455	241	357	BWMSD35512
400	15"	495	50	M24	557	264	402	BWMSD40015

The drawings, materials and specifications outlined are subject to change without notice due to the continuous improvements and development of our product range.

FUSION QLD PTY LTD

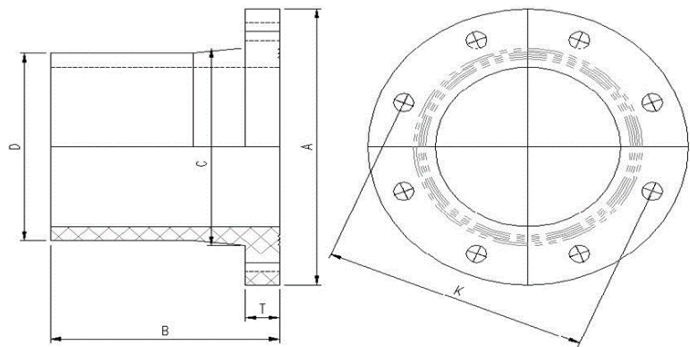
ABN: 42 987 067 369
13 Vision Court, Noosaville, QLD, 4566
42-44 South Link, Dandenong, VIC, 3175

CONTACT

T: +61 7 5474 3000 (Qld)
T: +61 3 9037 4755 (Vic)
E: sales@fusionqld.com.au
W: fusionqld.com.au

TECHNICAL DATA | MAXI STUB WITH SS BACKING RING

Standards:	AS/NZS 4129 SDR11
Size Range:	DN 90 - DN 630
Materials:	Stub Flanges: Polyethylene (PE) 100 Backing Rings: Stainless Steel 316
Pressure Rating:	PN16
Spigot Options:	Short Spigot - Suitable for Butt Welding Only Long Spigot - Suitable for Butt Welding and Electrofusion Welding
Backing Rings:	Refer to PIPA guideline POP007 Metal Backing Flanges for PE, for backing ring details and flange joint installation



Pipe Size mm	Drilling Size inch	K mm	T mm	Bolt mm	A mm	B mm	C mm	Code
450	15"	495	55	M24	580	285	450	BWMSD45015
500	18"	584	60	M24	705	354	504	BWMSD50018
560	20"	641	65	M24	735	430	560	BWMSD56020
630	22"	699	70	M28	760	430	640	BWMSD63022
630	24"	756	80	M28	815	430	643	BWMSD63024

Note:

Installation should always be performed by a licensed operator. It is the responsibility of the installer to check that both the pipe(s) and fitting(s) that are installed are compatible, only compatible materials should be joined together. It is the responsibility of the licensed installer to check the PN and SDR ratings marked on the fitting(s) and ensure that the pipe is compatible. Correct installation procedures should always be followed.

The drawings, materials and specifications outlined are subject to change without notice due to the continuous improvements and development of our product range.

FUSION QLD PTY LTD

ABN: 42 987 067 369
13 Vision Court, Noosaville, QLD, 4566
42-44 South Link, Dandenong, VIC, 3175

CONTACT

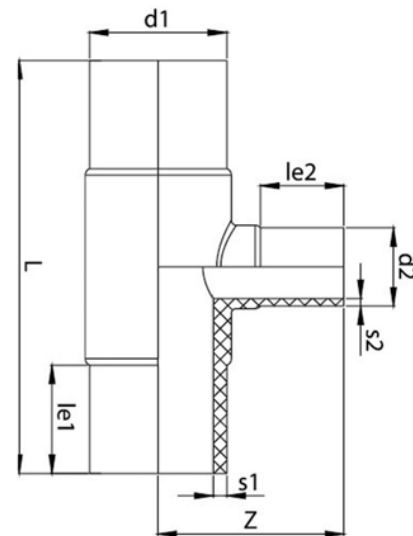
T: +61 7 5474 3000 (Qld)
T: +61 3 9037 4755 (Vic)
E: sales@fusionqld.com.au
W: fusionqld.com.au

TECHNICAL DATA | REDUCING TEE LONG SDR11

Standards:	AS/NZS 4129 SDR11
Size Range:	50 x 32 mm - 400 x 160 mm
Materials:	Polyethelyne (PE) 100
Pressure Rating:	PN16, Water 10 BAR, Gas
Fitting Details:	Injected



d1 mm	d2 mm	L mm	le1 mm	le2 mm	Z mm	s1 mm	s2 mm	Weight kg	Code
50	32	229	65	46	88	4.6	3.0	0.190	BWTRL115032
63	32	216	67	46	100	5.8	3.0	0.310	BWTRL116332
63	40	216	67	52	95	5.8	3.7	0.280	BWTRL116340
63	50	216	67	59	103	2.8	4.6	0.330	BWTRL116350
75	32	260	74	46	100	6.8	3.0	0.450	BWTRL117532
75	50	261	74	59	113	6.8	4.6	0.470	BWTRL117550
75	63	261	74	67	121	6.8	5.8	0.530	BWTRL117563
90	50	290	83	59	124	8.2	5.8	0.780	BWTRL119050
90	63	290	83	67	132	8.2	5.8	0.800	BWTRL119063
90	75	290	83	74	136	8.2	6.8	0.850	BWTRL119075
110	63	327	87	67	149	10	5.8	1.330	BWTRL1111063
110	75	327	87	74	151	10	6.8	1.360	BWTRL1111075
110	90	327	87	83	157	10	8.2	1.420	BWTRL1111090
125	90	356	92	82	172	11.4	8.2	2.040	BWTRL1112590
125	110	356	92	87	176	11.4	10	2.140	BWTRL11125110
140	90	380	97	83	175	12.7	8.2	2.400	BWTRL1114090
140	110	380	97	87	179	12.7	10	2.540	BWTRL11140110
160	63	417	103	67	175	14.6	5.8	3.420	BWTRL1116063
160	75	417	103	74	182	14.6	6.8	3.500	BWTRL1116075
160	90	417	103	83	187	14.6	8.2	3.540	BWTRL1116090
160	110	417	103	87	195	14.6	10	3.670	BWTRL11160110
160	125	417	103	92	200	14.6	11.4	3.750	BWTRL11160125



The drawings, materials and specifications outlined are subject to change without notice due to the continuous improvements and development of our product range.

FUSION QLD PTY LTD

ABN: 42 987 067 369
13 Vision Court, Noosaville, QLD, 4566
42-44 South Link, Dandenong, VIC, 3175

CONTACT

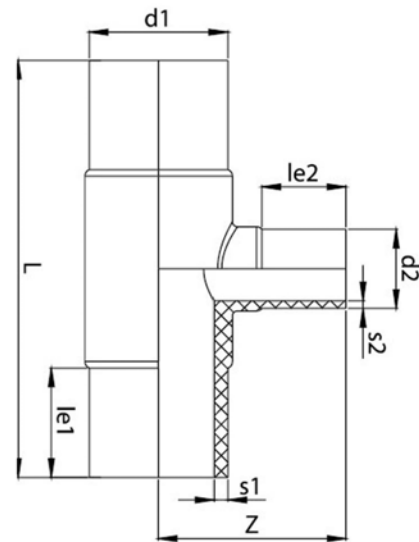
T: +61 7 5474 3000 (Qld)
T: +61 3 9037 4755 (Vic)
E: sales@fusionqld.com.au
W: fusionqld.com.au

TECHNICAL DATA | REDUCING TEE LONG SDR11

Standards:	AS/NZS 4129 SDR11
Size Range:	50 x 32 mm - 400 x 160 mm
Materials:	Polyethelyne (PE) 100
Pressure Rating:	PN16, Water 10 BAR, Gas
Fitting Details:	Injected



d1 mm	d2 mm	L mm	le1 mm	le2 mm	Z mm	s1 mm	s2 mm	Weight kg	Code
160	125	417	103	92	200	14.6	11.4	3.750	BWTRL11160125
180	90	458	110	83	206	16.4	8.2	5.000	BWTRL1118090
180	110	458	110	87	210	16.4	10	4.980	BWTRL11180110
180	125	458	110	92	215	16.4	11.4	5.140	BWTRL11180125
180	160	458	110	100	222	16.4	14.6	5.380	BWTRL11180160
200	63	481	117	67	191	18.2	5.8	6.240	BWTRL1120063
200	90	481	117	83	207	18.2	8.2	6.300	BWTRL1120090
200	110	481	117	87	211	18.2	10	6.440	BWTRL11200110
200	125	481	117	92	225	18.2	11.4	6.700	BWTRL11200125
200	160	481	117	103	227	18.2	14.6	6.900	BWTRL11200160
225	90	527	125	83	222	20.5	8.2	8.620	BWTRL1122590
225	110	527	125	87	226	20.5	10	8.780	BWTRL11225110
225	125	527	125	92	239	20.5	11.4	8.780	BWTRL11225125
225	160	527	125	103	242	20.5	14.6	9.220	BWTRL11225160
250	90	590	135	83	243	22.7	8.2	11.510	BWTRL1125090
250	110	590	135	87	251	22.7	10	11.730	BWTRL11250110
250	125	590	135	92	252	22.7	11.4	11.735	BWTRL11250125
250	160	590	135	103	267	22.7	14.6	12.250	BWTRL11250160
250	200	590	135	103	267	22.7	18.2	12.810	BWTRL11250200
280	110	690	146	87	290	25.4	10	17.965	BWTRL11280110
280	160	690	146	103	302	25.4	14.6	18.640	BWTRL11280160



The drawings, materials and specifications outlined are subject to change without notice due to the continuous improvements and development of our product range.

FUSION QLD PTY LTD

ABN: 42 987 067 369
13 Vision Court, Noosaville, QLD, 4566
42-44 South Link, Dandenong, VIC, 3175

CONTACT

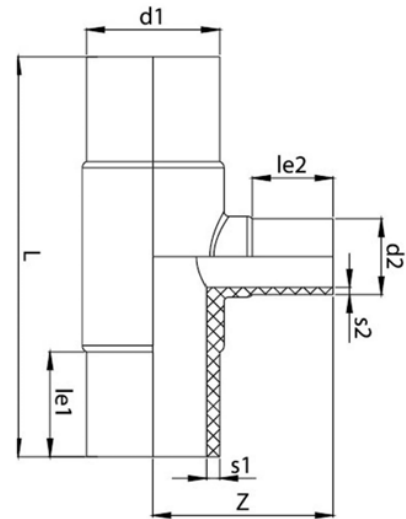
T: +61 7 5474 3000 (Qld)
T: +61 3 9037 4755 (Vic)
E: sales@fusionqld.com.au
W: fusionqld.com.au

TECHNICAL DATA | REDUCING TEE LONG SDR11

Standards:	AS/NZS 4129 SDR11
Size Range:	50 x 32 mm - 400 x 160 mm
Materials:	Polyethelyne (PE) 100
Pressure Rating:	PN16, Water 10 BAR, Gas
Fitting Details:	Injected



d1 mm	d2 mm	L mm	le1 mm	le2 mm	Z mm	s1 mm	s2 mm	Weight kg	Code
315	110	712	156	87	293	28.6	10	22.000	BWTRL11315110
315	160	712	516	103	303	28.6	14.6	22.600	BWTRL11315160
315	200	712	156	117	317	28.6	18.2	23.050	BWTRL11315200
315	225	712	156	125	325	28.6	20.5	23.700	BWTRL11315225
315	250	712	156	135	332	28.6	22.7	25.320	BWTRL11315250
355	110	575	173	87	300	32.2	10	20.305	BWTRL11355110
355	160	575	173	103	316	32.2	14.6	20.380	BWTRL11355160
400	110	615	189	87	327	36.3	10	30.060	BWTRL11400110
400	160	617	189	103	345	36.3	14.6	29.870	BWTRL11400160



Note:

Installation should always be performed by a licensed operator. It is the responsibility of the installer to check that both the pipe(s) and fitting(s) that are installed are compatible, only compatible materials should be joined together. It is the responsibility of the licensed installer to check the PN and SDR ratings marked on the fitting(s) and ensure that the pipe is compatible. Correct installation procedures should always be followed.

The drawings, materials and specifications outlined are subject to change without notice due to the continuous improvements and development of our product range.

FUSION QLD PTY LTD

ABN: 42 987 067 369
13 Vision Court, Noosaville, QLD, 4566
42-44 South Link, Dandenong, VIC, 3175

CONTACT

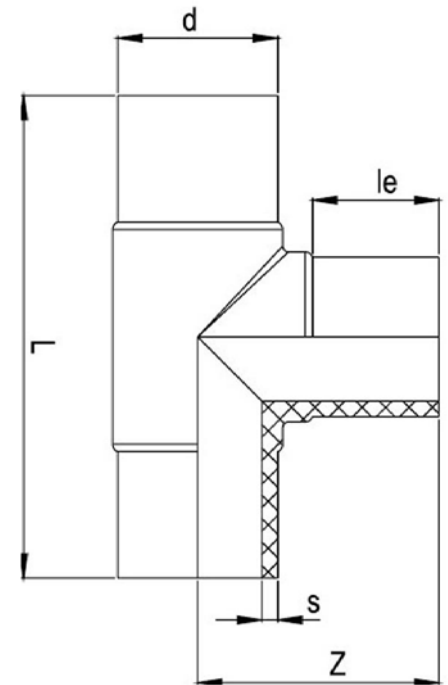
T: +61 7 5474 3000 (Qld)
T: +61 3 9037 4755 (Vic)
E: sales@fusionqld.com.au
W: fusionqld.com.au

TECHNICAL DATA | TEE LONG SDR11

Standards:	AS/NZS 4129 SDR11
Size Range:	20mm - 400mm
Materials:	Polyethelyne (PE) 100
Pressure Rating:	PN16, Water 10 BAR, Gas
Fitting Details:	Injected



d mm	L mm	le mm	Z mm	s mm	Weight kg	Code
20	148	51	74	3	0.040	BWTL1120
25	158	51	78	3	0.050	BWTL1125
32	166	53	84	3	0.090	BWTL1132
40	188	56	96	3.7	0.100	BWTL1140
50	229	65	114	4.6	0.250	BWTL1150
63	216	66	107	5.8	0.380	BWTL1163
75	261	70	130	6.8	0.590	BWTL1175
90	290	83	142	8.2	0.920	BWTL1190
110	327	87	162	10	1.570	BWTL11110
125	356	92	178	11.4	2.260	BWTL11125
140	380	97	189	12.7	2.790	BWTL11140
160	417	103	208	14.6	4.250	BWTL11160
180	458	110	225	16.4	5.850	BWTL11180
200	481	117	236	18.2	7.495	BWTL11200
225	527	125	260	20.5	10.270	BWTL11225
250	590	135	292	22.7	14.030	BWTL11250
280	690	146	340	25.4	21.600	BWTL11280
315	712	158	352	28.6	26.550	BWTL11315
355	789	173	394	32.30	39.260	BWTL11355
400	877	189	439	36.4	54.000	BWTL11400



Note:

Installation should always be performed by a licensed operator. It is the responsibility of the installer to check that both the pipe(s) and fitting(s) that are installed are compatible, only compatible materials should be joined together. It is the responsibility of the licensed installer to check the PN and SDR ratings marked on the fitting(s) and ensure that the pipe is compatible. Correct installation procedures should always be followed.

The drawings, materials and specifications outlined are subject to change without notice due to the continuous improvements and development of our product range.

FUSION QLD PTY LTD

ABN: 42 987 067 369
13 Vision Court, Noosaville, QLD, 4566
42-44 South Link, Dandenong, VIC, 3175

CONTACT

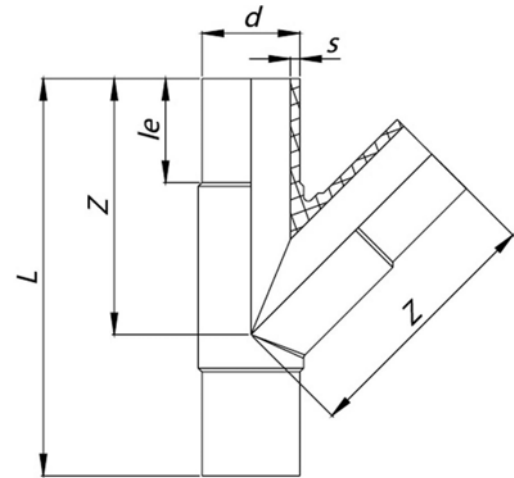
T: +61 7 5474 3000 (Qld)
T: +61 3 9037 4755 (Vic)
E: sales@fusionqld.com.au
W: fusionqld.com.au

TECHNICAL DATA | 45° JUNCTION LONG SDR11

Standards:	AS/NZS 4129 SDR11
Size Range:	63mm - 250mm
Materials:	Polyethylene (PE) 100
Pressure Rating:	PN16, Water 10 BAR, Gas
Fitting Details:	<ul style="list-style-type: none"> • Injected • Welded Design



d mm	L mm	le mm	Z mm	s mm	Weight kg	Code
63	254	67	164	5.8	0.455	BWJL114563
75	284	72	185	6.8	0.710	BWJL114575
90	321	83	213	8.2	1.140	BWJL114590
110	376	87	251	10	1.980	BWJ1145110
125	412	92	277	11.4	2.930	BWJ1145125
160	531	103	356	14.6	6.170	BWJ1145160
180	578	110	394	6.4	8.610	BWJL1145180
200	630	117	430	18.2	11.430	BWJL1145200
225	692	125	475	20.5	15.950	BWJL1145225
250	729	135	507	22.7	19.680	BWJL1145250



Note:

Installation should always be performed by a licensed operator. It is the responsibility of the installer to check that both the pipe(s) and fitting(s) that are installed are compatible, only compatible materials should be joined together. It is the responsibility of the licensed installer to check the PN and SDR ratings marked on the fitting(s) and ensure that the pipe is compatible. Correct installation procedures should always be followed.

The drawings, materials and specifications outlined are subject to change without notice due to the continuous improvements and development of our product range.

FUSION QLD PTY LTD

ABN: 42 987 067 369
13 Vision Court, Noosaville, QLD, 4566
42-44 South Link, Dandenong, VIC, 3175

CONTACT

T: +61 7 5474 3000 (Qld)
T: +61 3 9037 4755 (Vic)
E: sales@fusionqld.com.au
W: fusionqld.com.au

TECHNICAL DATA | END CAP LONG SDR11

Standards: AS/NZS 4129 | SDR11

Size Range: 20mm - 400mm

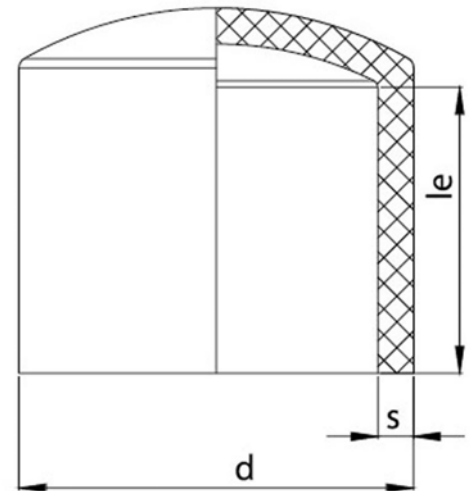
Materials: Polyethylene (PE) 100

Pressure Rating: PN16, Water | 10 BAR, Gas

Fitting Details: Injected



d mm	le mm	s mm	Weight kg	Code
20	42	3.0	0.010	BWCAPL1120
25	43	3.0	0.010	BWCAPL1125
32	46	3.0	0.020	BWCAPL1132
40	52	3.7	0.040	BWCAPL1140
50	58	4.6	0.050	BWCAPL1150
63	67	5.8	0.090	BWCAPL1163
75	72	6.8	0.140	BWCAPL1175
90	83	8.2	0.230	BWCAPL1190
110	85	10	0.350	BWCAPL11110
125	88	11.4	0.550	BWCAPL11125
140	98	12.7	0.760	BWCAPL11140
160	103	14.6	1.040	BWCAPL11160
180	110	16.4	1.400	BWCAPL11180
200	117	18.2	1.890	BWCAPL11200
225	125	20.5	2.600	BWCAPL11225
250	135	22.7	3.290	BWCAPL11250
280	146	25.4	4.630	BWCAPL11280
315	158	28.6	6.120	BWCAPL11315
355	173	32.3	8.980	BWCAPL11355
400	189	36.4	12.590	BWCAPL11400



Note:

Installation should always be performed by a licensed operator. It is the responsibility of the installer to check that both the pipe(s) and fitting(s) that are installed are compatible, only compatible materials should be joined together. It is the responsibility of the licensed installer to check the PN and SDR ratings marked on the fitting(s) and ensure that the pipe is compatible. Correct installation procedures should always be followed.

The drawings, materials and specifications outlined are subject to change without notice due to the continuous improvements and development of our product range.

FUSION QLD PTY LTD

ABN: 42 987 067 369
13 Vision Court, Noosaville, QLD, 4566
42-44 South Link, Dandenong, VIC, 3175

CONTACT

T: +61 7 5474 3000 (Qld)
T: +61 3 9037 4755 (Vic)
E: sales@fusionqld.com.au
W: fusionqld.com.au

TECHNICAL DATA | 45° ELBOW LONG SDR11

Standards: AS/NZS 4129 | SDR11

Size Range: 20mm - 400mm

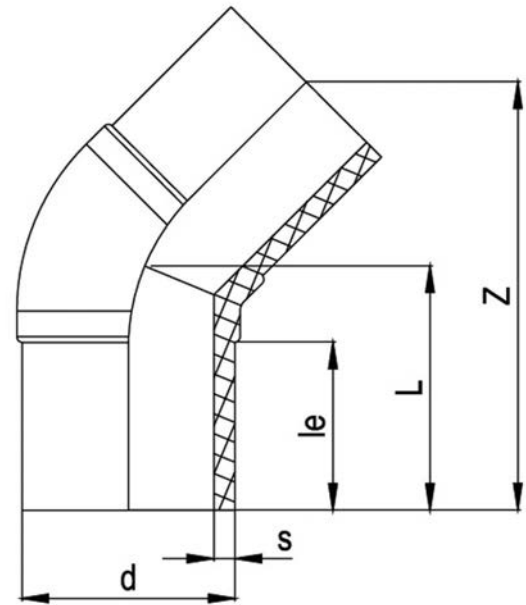
Materials: Polyethelyne (PE) 100

Pressure Rating: PN16, Water | 10 BAR, Gas

Fitting Details: Injected



d mm	le mm	Z mm	s mm	Weight kg	Code
20	43	119	3.0	0.030	BWEL114520
25	43	125	3.0	0.040	BWEL114525
32	46	136	3.0	0.060	BWEL114532
40	52	145	3.7	0.085	BWEL114540
50	56	153	4.6	0.140	BWEL114550
63	67	160	5.8	0.230	BWEL114563
75	72	176	6.8	0.330	BWEL114575
90	83	202	8.2	0.580	BWEL114590
110	87	220	10	0.980	BWEL1145110
125	92	239	11.4	1.300	BWEL1145125
140	97	250	12.7	1.700	BWEL1145140
160	103	273	14.6	2.435	BWEL1145160
180	110	290	16.4	2.330	BWEL1145180
200	117	311	18.2	4.430	BWEL1145200
225	122	341	20.5	6.200	BWEL1145225
250	135	368	22.7	8.180	BWEL1145250
280	146	406	25.4	11.315	BWEL1145280
315	158	430	28.6	14.600	BWEL1145315
355	173	490	32.3	22.935	BWEL1145355
400	189	548	36.4	31.100	BWEL1145400



Note:

Installation should always be performed by a licensed operator. It is the responsibility of the installer to check that both the pipe(s) and fitting(s) that are installed are compatible, only compatible materials should be joined together. It is the responsibility of the licensed installer to check the PN and SDR ratings marked on the fitting(s) and ensure that the pipe is compatible. Correct installation procedures should always be followed.

The drawings, materials and specifications outlined are subject to change without notice due to the continuous improvements and development of our product range.

FUSION QLD PTY LTD

ABN: 42 987 067 369
13 Vision Court, Noosaville, QLD, 4566
42-44 South Link, Dandenong, VIC, 3175

CONTACT

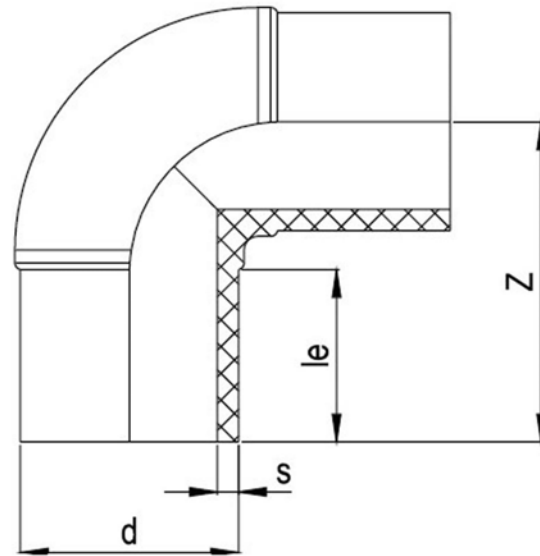
T: +61 7 5474 3000 (Qld)
T: +61 3 9037 4755 (Vic)
E: sales@fusionqld.com.au
W: fusionqld.com.au

TECHNICAL DATA | 90° ELBOW LONG SDR11

Standards:	AS/NZS 4129 SDR11
Size Range:	20mm - 400mm
Materials:	Polyethylene (PE) 100
Pressure Rating:	PN16, Water 10 BAR, Gas
Fitting Details:	Injected



d mm	le mm	Z mm	s mm	Weight kg	Code
20	43	63	3.0	0.020	BWEL119020
25	43	63	3.0	0.020	BWEL119025
32	46	72	3.0	0.040	BWEL119032
40	52	80	3.7	0.070	BWEL119040
50	59	92	4.6	0.140	BWEL119050
63	67	111	5.8	0.250	BWEL119063
75	74	126	6.8	0.430	BWEL119075
90	83	145	8.2	0.670	BWEL119090
110	87	161	10	1.080	BWEL1190110
125	92	173	11.4	1.470	BWEL1190125
140	97	195	12.7	2.160	BWEL1190140
160	103	205	14.6	2.900	BWEL1190160
180	110	230	16.4	4.230	BWEL1190180
200	117	245	18.2	5.970	BWEL1190200
225	125	264	20.5	7.300	BWEL1190225
250	135	292	22.7	10.350	BWEL1190250
280	146	340	25.4	15.730	BWEL1190280
315	158	370	28.6	21.170	BWEL1190315
355	173	401	32.3	28.670	BWEL1190355
400	189	451	36.4	41.500	BWEL1190400



Note:

Installation should always be performed by a licensed operator. It is the responsibility of the installer to check that both the pipe(s) and fitting(s) that are installed are compatible, only compatible materials should be joined together. It is the responsibility of the licensed installer to check the PN and SDR ratings marked on the fitting(s) and ensure that the pipe is compatible. Correct installation procedures should always be followed.

The drawings, materials and specifications outlined are subject to change without notice due to the continuous improvements and development of our product range.

FUSION QLD PTY LTD

ABN: 42 987 067 369
13 Vision Court, Noosaville, QLD, 4566
42-44 South Link, Dandenong, VIC, 3175

CONTACT

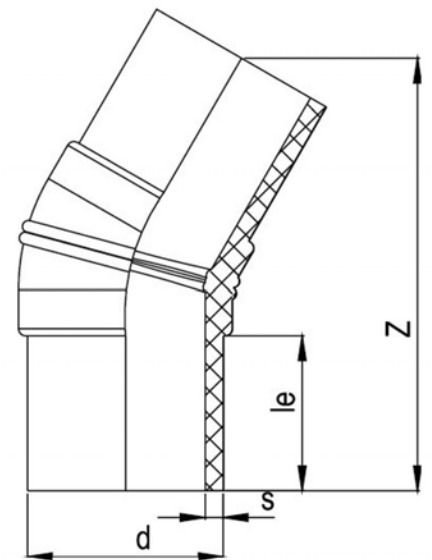
T: +61 7 5474 3000 (Qld)
T: +61 3 9037 4755 (Vic)
E: sales@fusionqld.com.au
W: fusionqld.com.au

TECHNICAL DATA | 22° ELBOW LONG SDR11

Standards:	AS/NZS 4129 SDR11
Size Range:	90mm - 400mm
Materials:	Polyethelyne (PE) 100
Pressure Rating:	PN16, Water 10 BAR, Gas
Fitting Details:	Injected



d mm	le mm	Z mm	s mm	Weight kg	Code
90	83	224	8.2	0.510	BWEL112290
110	87	243	10.0	0.860	BWEL1122110
125	92	261	11.4	1.170	BWEL1122125
140	97	278	12.7	1.455	BWEL1122140
160	103	298	14.6	2.170	BWEL1122160
180	110	317	16.4	2.850	BWEL1122180
200	117	345	18.2	3.900	BWEL1122200
225	135	405	22.7	6.970	BWEL1122225
250	135	405	22.7	6.970	BWEL1122250
280	146	444	25.4	9.920	BWEL1122280
315	158	478	28.6	13.220	BWEL1122315
355	173	475	32.3	20.120	BWEL1122355
400	189	522	36.4	27.370	BWEL1122400



Note:

Installation should always be performed by a licensed operator. It is the responsibility of the installer to check that both the pipe(s) and fitting(s) that are installed are compatible, only compatible materials should be joined together. It is the responsibility of the licensed installer to check the PN and SDR ratings marked on the fitting(s) and ensure that the pipe is compatible. Correct installation procedures should always be followed.

The drawings, materials and specifications outlined are subject to change without notice due to the continuous improvements and development of our product range.

FUSION QLD PTY LTD

ABN: 42 987 067 369
13 Vision Court, Noosaville, QLD, 4566
42-44 South Link, Dandenong, VIC, 3175

CONTACT

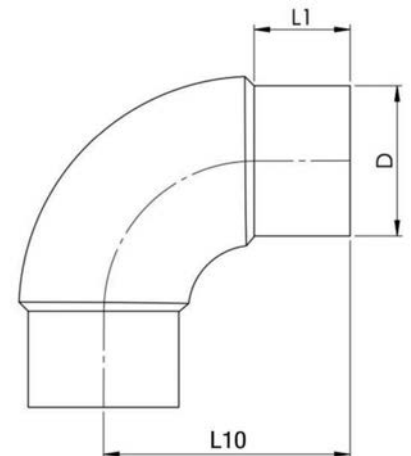
T: +61 7 5474 3000 (Qld)
T: +61 3 9037 4755 (Vic)
E: sales@fusionqld.com.au
W: fusionqld.com.au

TECHNICAL DATA | 90° MULTI BEND LONG SDR11

Standards:	SDR11
Size Range:	32mm - 315mm
Materials:	Polyethelyne (PE) 100
Pressure Rating:	PN16, Water 10 BAR, Gas



d mm	L10 mm	L1 mm	Weight kg	Code
32	79	48	0.04	BWBM119032
40	92	52	0.08	BWBM119040
50	107	59	0.15	BWBM119050
63	131	69	0.28	BWBM119063
75	153	76	0.46	BWBM119075
90	173	83	0.76	BWBM119090
110	195	84	1.3	BWBM1190110
125	216	92	1.82	BWBM1190125
140	237	96	2.45	BWBM1190140
160	262	103	3.42	BWBM1190160
180	294	115	4.98	BWBM1190180
200	317	122	6.8	BWBM1190200
225	351	131	9.2	BWBM1190225
250	382	133	13.12	BWBM1190250
280	432	153	18.34	BWBM1190280
315	471	154	25.13	BWBM1190315



Note:

Installation should always be performed by a licensed operator. It is the responsibility of the installer to check that both the pipe(s) and fitting(s) that are installed are compatible, only compatible materials should be joined together. It is the responsibility of the licensed installer to check the PN and SDR ratings marked on the fitting(s) and ensure that the pipe is compatible. Correct installation procedures should always be followed.

The drawings, materials and specifications outlined are subject to change without notice due to the continuous improvements and development of our product range.

FUSION QLD PTY LTD

ABN: 42 987 067 369
13 Vision Court, Noosaville, QLD, 4566
42-44 South Link, Dandenong, VIC, 3175

CONTACT

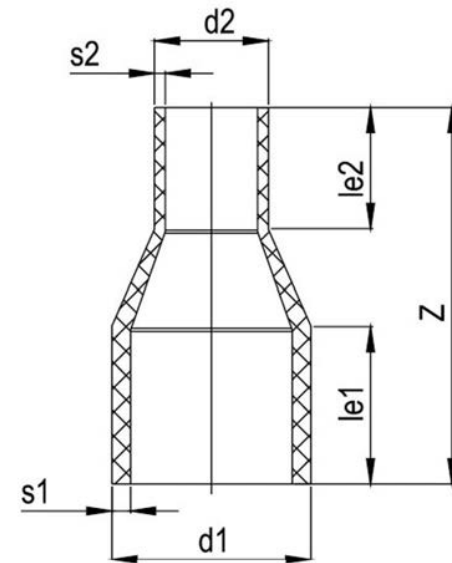
T: +61 7 5474 3000 (Qld)
T: +61 3 9037 4755 (Vic)
E: sales@fusionqld.com.au
W: fusionqld.com.au

TECHNICAL DATA | REDUCER LONG SDR11

Standards:	AS/NZS 4129 SDR11
Size Range:	20mm - 400mm
Materials:	Polyethelyne (PE) 100
Pressure Rating:	PN16, Water 10 BAR, Gas
Fitting Details:	Injected



d1 mm	d2 mm	Z mm	le1 mm	le2 mm	s1 mm	s2 mm	Weight kg	Code
25	20	120	55	52	3.0	3.0	0.030	BWRL112520
32	25	130	55	52	3.0	3.0	0.030	BWRL113225
40	25	130	56	51	3.7	3.0	0.040	BWRL114025
40	32	130	56	51	3.7	3.0	0.050	BWRL114032
50	25	140	63	52	4.6	3.0	0.070	BWRL115025
50	32	140	63	53	4.6	3.0	0.070	BWRL115032
50	40	140	63	57	4.6	3.7	0.080	BWRL115040
63	25	143	67	43	5.8	3.0	0.110	BWRL116325
63	32	150	37	49	5.8	3.0	0.110	BWRL116332
63	40	150	67	57	5.8	3.7	0.120	BWRL116340
63	50	150	67	63	5.8	4.6	0.140	BWRL116350
75	50	175	74	59	6.8	4.6	0.190	BWRL117550
75	63	175	74	67	6.8	5.8	0.210	BWRL117563
90	50	190	83	59	8.2	4.6	0.300	BWRL119050
90	63	196	83	72	8.2	5.8	0.330	BWRL119063
90	75	200	83	74	8.2	6.8	0.390	BWRL119075
110	50	208	87	59	10.0	4.6	0.460	BWRL1111050
110	63	214	87	69	10.0	5.8	0.500	BWRL1111063
110	75	216	87	74	10.0	6.8	0.540	BWRL1111075
110	90	213	87	83	10.0	8.2	0.600	BWRL1111090
125	63	195	92	67	11.4	5.8	0.620	BWRL1112563
125	75	215	92	74	11.4	6.8	0.650	BWRL1112575
125	90	222	92	83	11.4	8.2	0.740	BWRL1112590
125	110	222	92	87	11.4	10.0	0.860	BWRL11125110



The drawings, materials and specifications outlined are subject to change without notice due to the continuous improvements and development of our product range.

FUSION QLD PTY LTD

ABN: 42 987 067 369
13 Vision Court, Noosaville, QLD, 4566
42-44 South Link, Dandenong, VIC, 3175

CONTACT

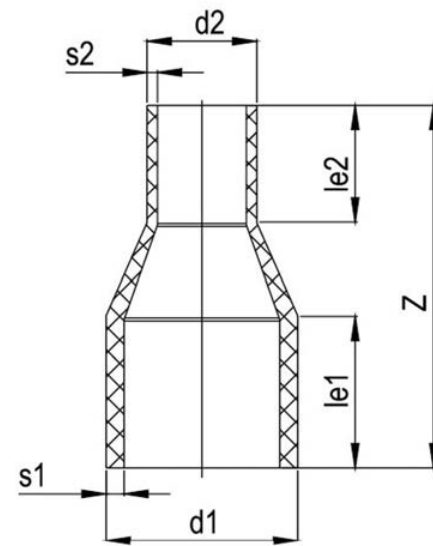
T: +61 7 5474 3000 (Qld)
T: +61 3 9037 4755 (Vic)
E: sales@fusionqld.com.au
W: fusionqld.com.au

TECHNICAL DATA | REDUCER LONG SDR11

Standards:	AS/NZS 4129 SDR11
Size Range:	20mm - 400mm
Materials:	Polyethelyne (PE) 100
Pressure Rating:	PN16, Water 10 BAR, Gas
Fitting Details:	Injected



d1 mm	d2 mm	Z mm	le1 mm	le2 mm	s1 mm	s2 mm	Weight kg	Code
140	90	225	97	83	12.7	6.8	0.840	BWRL1114090
140	110	233	97	87	12.7	10.0	1.020	BWRL11140110
140	125	225	97	92	12.7	11.4	1.120	BWRL11140125
160	90	245	103	83	14.6	8.2	1.236	BWRL1116090
160	110	250	103	87	14.6	10.0	1.310	BWRL11160110
160	125	250	103	92	14.6	11.4	1.460	BWRL11160125
160	140	245	103	97	14.6	12.7	1.450	BWRL11160140
180	110	255	110	87	16.4	10.0	1.620	BWRL11180110
180	125	255	110	92	16.4	11.4	1.670	BWRL11180125
180	140	250	110	97	16.4	12.7	1.820	BWRL11180140
180	160	255	110	103	16.4	14.6	2.080	BWRL11180160
200	110	275	117	87	18.2	10.0	2.160	BWRL11200110
200	140	275	117	97	18.2	12.7	2.360	BWRL11200140
200	160	270	117	103	18.2	14.6	2.380	BWRL11200160
200	180	275	117	110	18.2	16.4	2.700	BWRL11200180
225	110	295	125	87	20.5	10.0	2.860	BWRL11225110
225	160	280	125	103	20.5	14.6	3.060	BWRL11225160
225	180	280	125	110	20.5	16.4	3.450	BWRL11225180
225	200	300	123	127	20.5	18.2	3.780	BWRL11225200
250	160	294	135	103	22.7	14.6	3.600	BWRL11250160
250	180	305	135	110	22.7	16.4	4.240	BWRL11250180
250	200	310	135	117	22.7	18.2	4.430	BWRL11250200
250	225	305	135	125	22.7	20.5	4.750	BWRL11250225



The drawings, materials and specifications outlined are subject to change without notice due to the continuous improvements and development of our product range.

FUSION QLD PTY LTD

ABN: 42 987 067 369
13 Vision Court, Noosaville, QLD, 4566
42-44 South Link, Dandenong, VIC, 3175

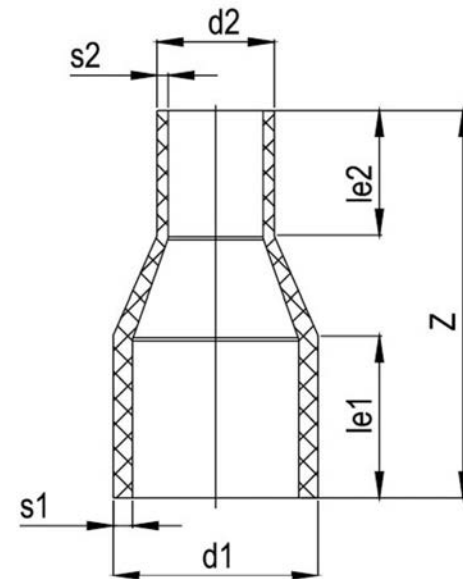
CONTACT

T: +61 7 5474 3000 (Qld)
T: +61 3 9037 4755 (Vic)
E: sales@fusionqld.com.au
W: fusionqld.com.au

TECHNICAL DATA | REDUCER LONG SDR11

Standards:	AS/NZS 4129 SDR11
Size Range:	20mm - 400mm
Materials:	Polyethelyne (PE) 100
Pressure Rating:	PN16, Water 10 BAR, Gas
Fitting Details:	Injected

d1 mm	d2 mm	Z mm	le1 mm	le2 mm	s1 mm	s2 mm	Weight kg	Code
280	180	348	146	110	25.4	16.4	5.340	BWRL11280180
280	200	348	146	117	25.4	18.2	5.540	BWRL11280200
280	225	336	146	125	25.4	20.5	6.000	BWRL11280225
280	250	348	146	135	25.4	22.7	6.970	BWRL11280250
315	225	375	158	125	28.6	20.5	7.750	BWRL11315225
315	250	375	158	135	28.6	22.7	8.300	BWRL11315250
315	280	355	158	146	28.6	25.4	8.400	BWRL11315280
355	315	390	173	158	32.3	28.6	11.760	BWRL11355315
400	315	430	189	158	36.4	28.6	15.600	BWRL11400315
400	355	380	189	173	36.4	32.3	16.200	BWRL11400355



Note:

Installation should always be performed by a licensed operator. It is the responsibility of the installer to check that both the pipe(s) and fitting(s) that are installed are compatible, only compatible materials should be joined together. It is the responsibility of the licensed installer to check the PN and SDR ratings marked on the fitting(s) and ensure that the pipe is compatible. Correct installation procedures should always be followed.

The drawings, materials and specifications outlined are subject to change without notice due to the continuous improvements and development of our product range.

FUSION QLD PTY LTD

ABN: 42 987 067 369
13 Vision Court, Noosaville, QLD, 4566
42-44 South Link, Dandenong, VIC, 3175

CONTACT

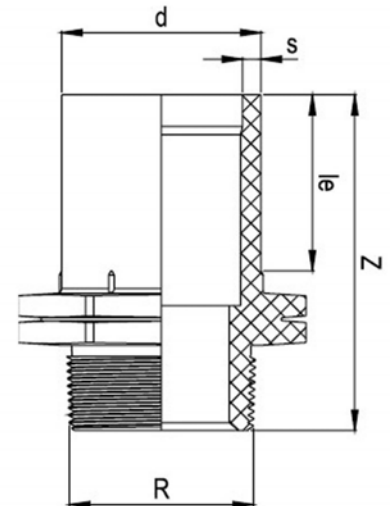
T: +61 7 5474 3000 (Qld)
T: +61 3 9037 4755 (Vic)
E: sales@fusionqld.com.au
W: fusionqld.com.au

TECHNICAL DATA | THREADED MALE ADAPTOR SDR11

Standards:	AS/NZS 4129 SDR11
Size Range:	20mm x 1/2" - 110mm x 4"
Materials:	Polyethelyne (PE) 100
Pressure Rating:	PN10, Water
Fitting Details:	Injected



d mm	R inch	le mm	Z mm	s mm	Weight kg	Code
20	1/2"	64	97.2	3.0	0.018	BWAM2012
25	3/4"	98.5	98.5	3.0	0.024	BWAM2534
32	1"	61	97.8	3.0	0.042	BWAM321
40	1 1/4"	65	104.1	3.7	0.053	BWAM40114
50	1 1/2"	69	108.1	4.6	0.079	BWAM50112
63	2"	78	121.4	5.8	0.141	BWAM632
75	2 1/2"	89	135.7	8.21	0.218	BWAM75212
90	3"	97	151	10.29	0.353	BWAM903
110	4"	109	115	10.44	.500	BWAM1104



Note:

Installation should always be performed by a licensed operator. It is the responsibility of the installer to check that both the pipe(s) and fitting(s) that are installed are compatible, only compatible materials should be joined together. It is the responsibility of the licensed installer to check the PN and SDR ratings marked on the fitting(s) and ensure that the pipe is compatible. Correct installation procedures should always be followed.

The drawings, materials and specifications outlined are subject to change without notice due to the continuous improvements and development of our product range.

FUSION QLD PTY LTD

ABN: 42 987 067 369
13 Vision Court, Noosaville, QLD, 4566
42-44 South Link, Dandenong, VIC, 3175

CONTACT

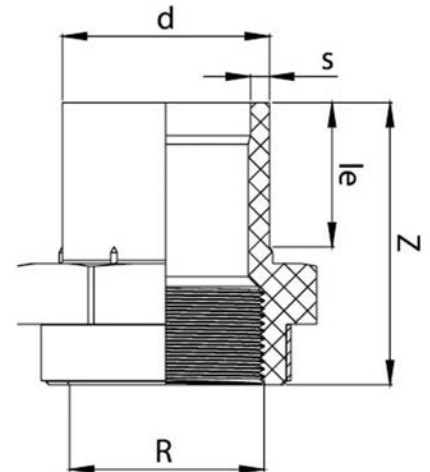
T: +61 7 5474 3000 (Qld)
T: +61 3 9037 4755 (Vic)
E: sales@fusionqld.com.au
W: fusionqld.com.au

TECHNICAL DATA | THREADED FEMALE ADAPTOR SDR11

Standards:	AS/NZS 4129 SDR11
Size Range:	20mm x 1/2" - 110mm x 4"
Materials:	Polyethelyne (PE) 100
Pressure Rating:	PN10, Water
Fitting Details:	Injected



d mm	R inch	le mm	Z mm	s mm	Weight kg	Code
20	1/2"	64	95	3.0	0.028	BWAF2012
25	3/4"	64	98.5	3.0	0.039	BWAF2534
32	1"	61	98.5	3.0	0.054	BWAF321
40	1 1/4"	65	109	3.7	0.088	BWAF40114
50	1 1/2"	69	111	4.6	0.130	BWAF50112
63	2"	89	125	5.8	0.208	BWAF632
75	2 1/2"	89	147	8.21	0.333	BWAF75212
90	3"	101	155	8.45	0.540	BWAF903
110	4"	109	165	10.41	0.710	BWAF1104



Note:

Installation should always be performed by a licensed operator. It is the responsibility of the installer to check that both the pipe(s) and fitting(s) that are installed are compatible, only compatible materials should be joined together. It is the responsibility of the licensed installer to check the PN and SDR ratings marked on the fitting(s) and ensure that the pipe is compatible. Correct installation procedures should always be followed.

The drawings, materials and specifications outlined are subject to change without notice due to the continuous improvements and development of our product range.

FUSION QLD PTY LTD

ABN: 42 987 067 369
13 Vision Court, Noosaville, QLD, 4566
42-44 South Link, Dandenong, VIC, 3175

CONTACT

T: +61 7 5474 3000 (Qld)
T: +61 3 9037 4755 (Vic)
E: sales@fusionqld.com.au
W: fusionqld.com.au

TECHNICAL DATA | STUB FLANGE LONG SDR17

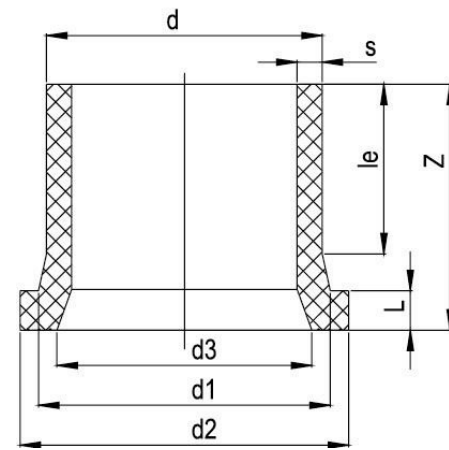
Standards: AS/NZS 4129 | SDR17

Size Range: 63 mm - 630 mm

Materials: Polyethylene (PE) 100

Pressure Rating: PN10, Water | 5 BAR, Gas

- Fitting Details:
- Injection
 - Suitable for Butterfly Valve
 - *With pipe extension
 - **Spacer needed for Butterfly Valve



Size mm	d1 mm	d2 mm	d3 mm	le mm	L mm	Z mm	s mm	Weight kg	Code
63	78	102	-	88	14	120	3.8	0.182	BWSFL1763
75	92	122	-	97	16	130	4.5	0.280	BWSFL1775
90	108	139	-	106	17	140	5.4	0.372	BWSFL1790
110	125	158	-	113	17	155	6.6	0.550	BWSFL17110
125	135	158	-	120	20	160	7.04	0.640	BWSFL17125
140	155	188	-	128	18	188	8.3	1.040	BWSFL17140
160	175	212	154	147	18	185	9.5	1.130	BWSFL17160
180	188	212	164	111	20	153	10.7	1.145	BWSFL17180
200	230	268	208	125	24	188	11.9	1.960	BWSFL17200
225	238	268	208	156	24	205	13.4	2.360	BWSFL17225
250	288	320	260	133	25	186	14.8	2.600	BWSFL17250
280	288	320	260	145	25	213	16.6	3.620	BWSFL17280
315	338	375	305	166	25	223	18.7	4.780	BWSFL17315
355	376	435	350	172	30	227	21.1	6.550	BWSFL17355
400	430	485	396	185	33	242	23.7	8.785	BWSFL17400

The drawings, materials and specifications outlined are subject to change without notice due to the continuous improvements and development of our product range.

FUSION QLD PTY LTD

ABN: 42 987 067 369
13 Vision Court, Noosaville, QLD, 4566
42-44 South Link, Dandenong, VIC, 3175

CONTACT

T: +61 7 5474 3000 (Qld)
T: +61 3 9037 4755 (Vic)
E: sales@fusionqld.com.au
W: fusionqld.com.au

TECHNICAL DATA | STUB FLANGE LONG SDR17

Standards: AS/NZS 4129 | SDR17

Size Range: 63 mm - 630 mm

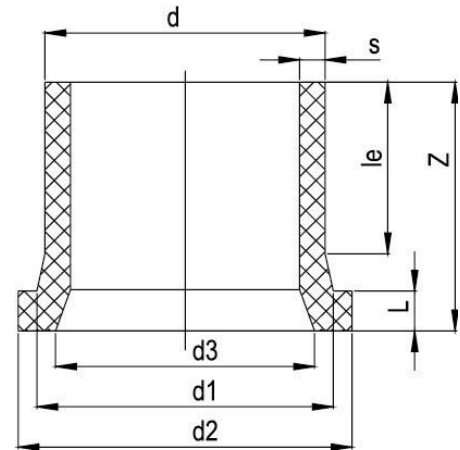
Materials: Polyethelyne (PE) 100

Pressure Rating: PN10, Water | 5 BAR, Gas

- Fitting Details:
- Injection
 - Suitable for Butterfly Valve
 - *With pipe extension
 - **Spacer needed for Butterfly Valve



Size mm	d1 mm	d2 mm	d3 mm	le mm	L mm	Z mm	s mm	Weight kg	Code
450 (DN450)	465	545	442	195	45	335	26.7	14.270	BWSFL17450
500	530	590	497	212	46	339	29.7	17.530	BWSFL17500
560**	618	690	580	235	50	373	33.2	24.500	BWSFL17560
630	645	690	585	255	50	384	37.4	29.250	BWSFL17630
*710	740	800	670	282	50	422	42.1	42.220	BWSFL17710
*800	843	905	780	312	60	463	47.4	54.550	BWSFL17800
*900	947	1005	884	345	60	507	53.3	74.500	BWSFL17900
*1000	1050	1112	972	379	65	557	59.3	100.500	BWSFL171000
*1200	1240	1320	1167	447	75	620	71.2	162.000	BWSFL171200



Note:

Installation should always be performed by a licensed operator. It is the responsibility of the installer to check that both the pipe(s) and fitting(s) that are installed are compatible, only compatible materials should be joined together. It is the responsibility of the licensed installer to check the PN and SDR ratings marked on the fitting(s) and ensure that the pipe is compatible. Correct installation procedures should always be followed.

The drawings, materials and specifications outlined are subject to change without notice due to the continuous improvements and development of our product range.

FUSION QLD PTY LTD

ABN: 42 987 067 369
13 Vision Court, Noosaville, QLD, 4566
42-44 South Link, Dandenong, VIC, 3175

CONTACT

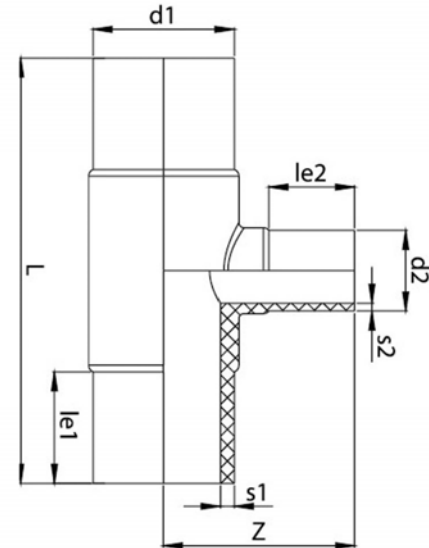
T: +61 7 5474 3000 (Qld)
T: +61 3 9037 4755 (Vic)
E: sales@fusionqld.com.au
W: fusionqld.com.au

TECHNICAL DATA | REDUCING TEE LONG SDR17

Standards:	AS/NZS 4129 SDR17
Size Range:	90 x 63 mm - 315 x 225 mm
Materials:	Polyethelyne (PE) 100
Pressure Rating:	PN10, Water 5 BAR, Gas
Fitting Details:	Injected



d1 mm	d2 mm	L mm	le1 mm	le2 mm	Z mm	s1 mm	s2 mm	Weight kg	Code
90	63	290	83	67	132	5.4	3.8	0.610	BWTRL179063
110	63	327	87	67	149	6.6	3.8	0.975	BWTRL1711063
110	75	327	87	74	151	6.6	4.5	1.050	BWTRL1711075
110	90	327	87	83	157	6.6	5.4	1.090	BWTRL1711090
125	90	356	92	83	172	7.4	5.4	1.400	BWTRL1712590
140	90	380	97	83	175	8.3	5.4	1.730	BWTRL1714090
160	63	417	103	67	175	9.5	3.8	2.550	BWTRL1716063
160	75	417	103	74	182	9.5	4.5	2.650	BWTRL1716075
160	90	417	103	83	187	9.5	5.4	2.600	BWTRL1716090
160	110	417	103	87	195	9.5	6.6	2.700	BWTRL17160110
180	110	458	110	87	210	10.7	6.6	3.630	BWTRL17180110
200	63	481	117	67	191	11.9	3.8	4.480	BWTRL1720063
200	90	481	117	83	207	11.9	5.4	4.550	BWTRL1720090
200	110	481	117	87	211	11.9	6.6	4.650	BWTRL17200110
200	160	481	117	103	227	11.9	9.5	4.910	BWTRL17200160
225	90	527	125	83	222	13.4	5.4	6.380	BWTRL1722590
225	110	527	125	87	226	13.4	6.6	6.500	BWTRL17225110
225	160	527	125	103	242	13.4	9.5	6.690	BWTRL17225160
250	110	590	135	87	251	14.8	6.6	8.450	BWTRL17250110
250	160	590	135	103	267	14.8	9.5	8.710	BWTRL17250160
280	110	690	146	87	290	16.6	6.6	13.280	BWTRL17280110
280	160	690	146	103	302	16.6	9.5	13.760	BWTRL17280160
315	110	712	156	87	293	18.7	6.6	16.350	BWTRL17315110
315	160	712	156	103	303	18.7	9.5	13.760	BWTRL17315160
315	225	712	156	125	320	18.7	13.4	17.220	BWTRL17315225



Note:

Installation should always be performed by a licensed operator. It is the responsibility of the installer to check that both the pipe(s) and fitting(s) that are installed are compatible, only compatible materials should be joined together. It is the responsibility of the licensed installer to check the PN and SDR ratings marked on the fitting(s) and ensure that the pipe is compatible. Correct installation procedures should always be followed.

The drawings, materials and specifications outlined are subject to change without notice due to the continuous improvements and development of our product range.

FUSION QLD PTY LTD

ABN: 42 987 067 369
13 Vision Court, Noosaville, QLD, 4566
42-44 South Link, Dandenong, VIC, 3175

CONTACT

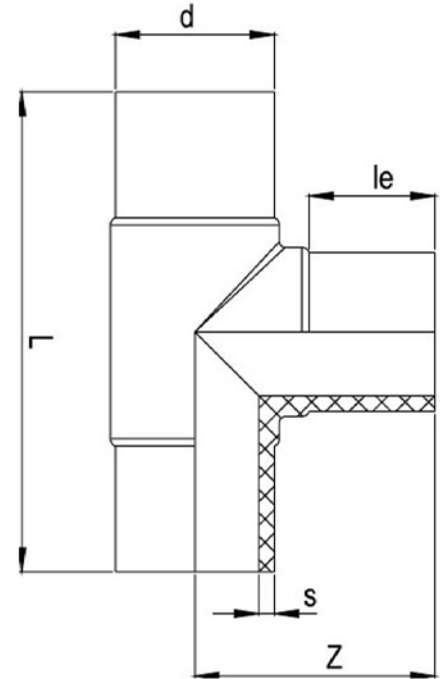
T: +61 7 5474 3000 (Qld)
T: +61 3 9037 4755 (Vic)
E: sales@fusionqld.com.au
W: fusionqld.com.au

TECHNICAL DATA | TEE LONG SDR17

Standards:	AS/NZS 4129 SDR17
Size Range:	63mm - 400mm
Materials:	Polyethylene (PE) 100
Pressure Rating:	PN10, Water 5 BAR, Gas
Fitting Details:	Injected



d mm	L mm	le mm	Z mm	s mm	Weight kg	Code
63	225	66	114	3.8	0.260	BWTL1763
75	261	70	130	4.5	0.435	BWTL1775
90	290	83	142	5.4	0.690	BWTL1790
110	327	87	162	6.6	1.120	BWTL17110
125	356	92	178	7.4	1.610	BWTL17125
140	378	97	189	8.3	1.970	BWTL17140
160	417	103	208	9.5	3.090	BWTL17160
180	458	110	225	10.7	4.090	BWTL17180
200	481	117	236	11.9	5.280	BWTL17200
225	527	125	260	13.4	7.450	BWTL17225
250	590	135	292	14.8	9.930	BWTL17250
280	690	146	340	16.6	15.490	BWTL17280
315	712	158	352	18.7	18.830	BWTL17315
355	789	173	394	21.1	29.000	BWTL17355
400	877	189	439	23.7	40.340	BWTL17400



Note:

Installation should always be performed by a licensed operator. It is the responsibility of the installer to check that both the pipe(s) and fitting(s) that are installed are compatible, only compatible materials should be joined together. It is the responsibility of the licensed installer to check the PN and SDR ratings marked on the fitting(s) and ensure that the pipe is compatible. Correct installation procedures should always be followed.

The drawings, materials and specifications outlined are subject to change without notice due to the continuous improvements and development of our product range.

FUSION QLD PTY LTD

ABN: 42 987 067 369
13 Vision Court, Noosaville, QLD, 4566
42-44 South Link, Dandenong, VIC, 3175

CONTACT

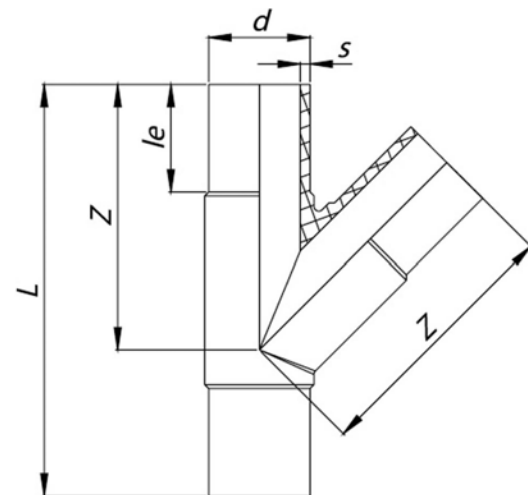
T: +61 7 5474 3000 (Qld)
T: +61 3 9037 4755 (Vic)
E: sales@fusionqld.com.au
W: fusionqld.com.au

TECHNICAL DATA | 45° JUNCTION LONG SDR17

Standards:	AS/NZS 4129 SDR17
Size Range:	63mm - 250mm
Materials:	Polyethelyne (PE) 100
Pressure Rating:	PN10, Water 5 BAR, Gas
Fitting Details:	Injected



d mm	L mm	le mm	Z mm	s mm	Weight kg	Code
63	254	67	164	3.8	0.370	BWJL174563
75	284	72	185	4.5	0.540	BWJL174575
90	321	83	213	5.4	0.830	BWJL174590
110	376	87	251	6.6	1.450	BWTJ1745110
125	412	92	277	7.4	2.130	BWTJ1745125
160	531	103	356	9.5	4.560	BWTJ1745160
180	578	110	394	10.7	6.390	BWJL1745180
200	630	117	430	11.9	8.350	BWJL1745200
225	692	125	475	13.4	11.860	BWJL1745225
250	729	135	507	14.8	15.480	BWJL1745250



Note:

Installation should always be performed by a licensed operator. It is the responsibility of the installer to check that both the pipe(s) and fitting(s) that are installed are compatible, only compatible materials should be joined together. It is the responsibility of the licensed installer to check the PN and SDR ratings marked on the fitting(s) and ensure that the pipe is compatible. Correct installation procedures should always be followed.

The drawings, materials and specifications outlined are subject to change without notice due to the continuous improvements and development of our product range.

FUSION QLD PTY LTD

ABN: 42 987 067 369
13 Vision Court, Noosaville, QLD, 4566
42-44 South Link, Dandenong, VIC, 3175

CONTACT

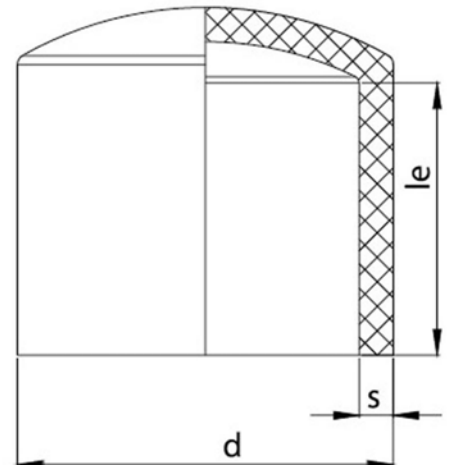
T: +61 7 5474 3000 (Qld)
T: +61 3 9037 4755 (Vic)
E: sales@fusionqld.com.au
W: fusionqld.com.au

TECHNICAL DATA | END CAP LONG SDR17

Standards:	AS/NZS 4129 SDR17
Size Range:	63mm - 400mm
Materials:	Polyethelyne (PE) 100
Pressure Rating:	PN10, Water 5 BAR, Gas
Fitting Details:	Injected



d mm	le mm	s mm	Weight kg	Code
63	67	3.8	0.075	BWCAPL1763
75	72	4.5	0.115	BWCAPL1775
90	83	5.4	0.170	BWCAPL1790
110	85	6.6	0.260	BWCAPL17110
125	88	7.4	0.430	BWCAPL17125
140	98	8.3	0.640	BWCAPL17140
160	103	9.5	0.815	BWCAPL17160
180	110	10.7	1.105	BWCAPL17180
200	117	11.9	1.505	BWCAPL17200
225	125	13.4	2.055	BWCAPL17225
250	135	14.8	2.600	BWCAPL17250
280	146	16.6	3.725	BWCAPL17280
315	158	18.7	5.020	BWCAPL17315
355	173	21.1	7.605	BWCAPL17355
400	189	23.7	10.345	BWCAPL17400



Note:

Installation should always be performed by a licensed operator. It is the responsibility of the installer to check that both the pipe(s) and fitting(s) that are installed are compatible, only compatible materials should be joined together. It is the responsibility of the licensed installer to check the PN and SDR ratings marked on the fitting(s) and ensure that the pipe is compatible. Correct installation procedures should always be followed.

The drawings, materials and specifications outlined are subject to change without notice due to the continuous improvements and development of our product range.

FUSION QLD PTY LTD

ABN: 42 987 067 369
13 Vision Court, Noosaville, QLD, 4566
42-44 South Link, Dandenong, VIC, 3175

CONTACT

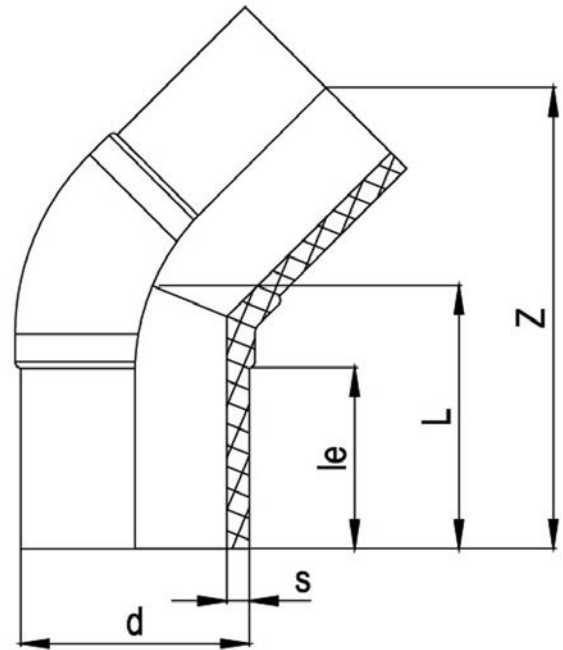
T: +61 7 5474 3000 (Qld)
T: +61 3 9037 4755 (Vic)
E: sales@fusionqld.com.au
W: fusionqld.com.au

TECHNICAL DATA | 45° ELBOW LONG SDR17

Standards:	AS/NZS 4129 SDR17
Size Range:	63mm - 400mm
Materials:	Polyethylene (PE) 100
Pressure Rating:	PN10, Water 5 BAR, Gas
Fitting Details:	Injected



d mm	le mm	Z mm	s mm	Weight kg	Code
63	64	160	3.8	0.180	BWEL174563
75	72	176	4.5	0.250	BWEL174575
90	83	202	5.4	0.440	BWEL174590
110	87	220	6.6	0.700	BWEL1745110
125	92	239	7.4	0.930	BWEL1745125
140	97	250	8.3	1.245	BWEL1745140
160	103	273	9.5	1.785	BWEL1745160
180	110	290	10.7	2.380	BWEL1745180
200	117	311	11.9	3.360	BWEL1745200
225	122	341	13.4	4.370	BWEL1745225
250	135	368	14.8	5.880	BWEL1745250
280	146	406	16.6	8.200	BWEL145280
315	158	430	18.7	11.115	BWEL1745315
355	173	490	21.1	16.150	BWEL1745355
400	189	548	23.7	23.000	BWEL1745400



Note:

Installation should always be performed by a licensed operator. It is the responsibility of the installer to check that both the pipe(s) and fitting(s) that are installed are compatible, only compatible materials should be joined together. It is the responsibility of the licensed installer to check the PN and SDR ratings marked on the fitting(s) and ensure that the pipe is compatible. Correct installation procedures should always be followed.

The drawings, materials and specifications outlined are subject to change without notice due to the continuous improvements and development of our product range.

FUSION QLD PTY LTD

ABN: 42 987 067 369
13 Vision Court, Noosaville, QLD, 4566
42-44 South Link, Dandenong, VIC, 3175

CONTACT

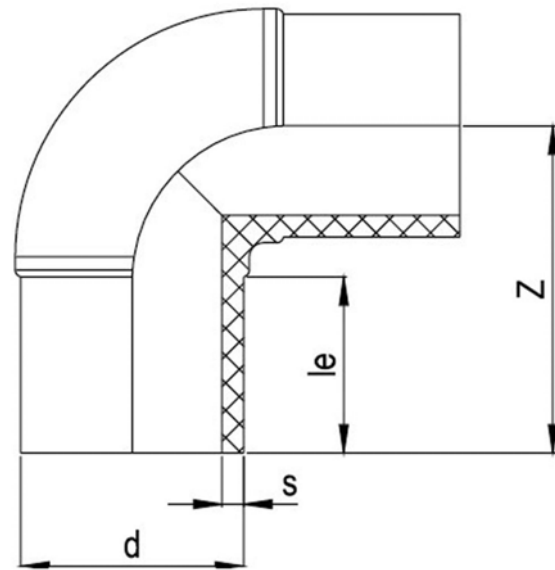
T: +61 7 5474 3000 (Qld)
T: +61 3 9037 4755 (Vic)
E: sales@fusionqld.com.au
W: fusionqld.com.au

TECHNICAL DATA | 90° ELBOW LONG SDR17

Standards:	AS/NZS 4129 SDR17
Size Range:	63mm - 400mm
Materials:	Polyethylene (PE) 100
Pressure Rating:	PN10, Water 5 BAR, Gas
Fitting Details:	Injected



d mm	le mm	Z mm	s mm	Weight kg	Code
63	62	111	3.8	0.185	BWEL179063
75	72	126	4.5	0.320	BWEL179075
90	83	145	5.4	0.485	BWEL179090
110	87	161	6.6	0.780	BWEL1790110
125	92	173	7.4	1.050	BWEL1790125
140	97	195	8.3	1.510	BWEL1790140
160	103	205	9.5	2.150	BWEL1790160
180	110	230	10.7	3.100	BWEL1790180
200	117	245	11.9	4.350	BWEL1790200
225	125	264	13.4	5.260	BWEL1790225
250	135	292	14.8	7.660	BWEL1790250
280	146	340	16.6	11.460	BWEL1790280
315	158	370	18.7	15.560	BWEL1790315
355	173	401	21.1	22.170	BWEL1790355
400	189	451	23.7	30.960	BWEL1790400



Note:

Installation should always be performed by a licensed operator. It is the responsibility of the installer to check that both the pipe(s) and fitting(s) that are installed are compatible, only compatible materials should be joined together. It is the responsibility of the licensed installer to check the PN and SDR ratings marked on the fitting(s) and ensure that the pipe is compatible. Correct installation procedures should always be followed.

The drawings, materials and specifications outlined are subject to change without notice due to the continuous improvements and development of our product range.

FUSION QLD PTY LTD

ABN: 42 987 067 369
13 Vision Court, Noosaville, QLD, 4566
42-44 South Link, Dandenong, VIC, 3175

CONTACT

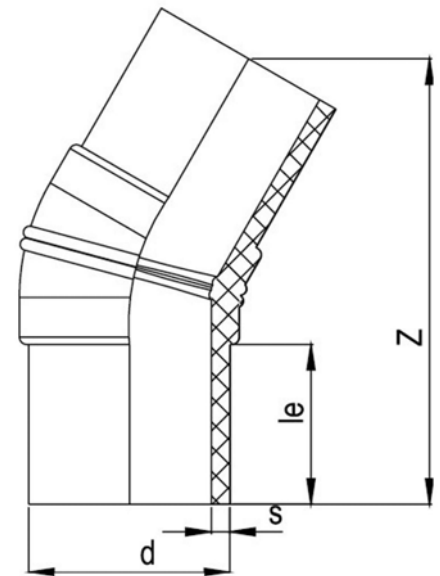
T: +61 7 5474 3000 (Qld)
T: +61 3 9037 4755 (Vic)
E: sales@fusionqld.com.au
W: fusionqld.com.au

TECHNICAL DATA | 22° ELBOW LONG SDR17

Standards:	AS/NZS 4129 SDR17
Size Range:	90mm - 400mm
Materials:	Polyethelyne (PE) 100
Pressure Rating:	PN10, Water
Fitting Details:	<ul style="list-style-type: none"> • Injected • Welded Design



d mm	le mm	Z mm	s mm	Weight kg	Code
90	83	224	5.4	0.360	BWEL172290
110	87	243	6.6	0.595	BWEL1722110
125	92	261	7.4	0.795	BWEL1722125
140	97	278	8.3	1.040	BWEL1722140
160	103	298	9.5	1.515	BWEL1722160
180	110	317	10.7	2.090	BWEL1722180
200	117	345	11.9	3.105	BWEL1722200
225	125	373	13.4	3.690	BWEL1722225
250	135	405	14.8	5.150	BWEL1722250
280	146	444	16.6	6.670	BWEL1722280
315	158	478	18.7	9.790	BWEL1722315
355	173	475	21.1	13.650	BWEL1722355
400	189	522	23.7	19.550	BWEL1722400



Note:

Installation should always be performed by a licensed operator. It is the responsibility of the installer to check that both the pipe(s) and fitting(s) that are installed are compatible, only compatible materials should be joined together. It is the responsibility of the licensed installer to check the PN and SDR ratings marked on the fitting(s) and ensure that the pipe is compatible. Correct installation procedures should always be followed.

The drawings, materials and specifications outlined are subject to change without notice due to the continuous improvements and development of our product range.

FUSION QLD PTY LTD

ABN: 42 987 067 369
13 Vision Court, Noosaville, QLD, 4566
42-44 South Link, Dandenong, VIC, 3175

CONTACT

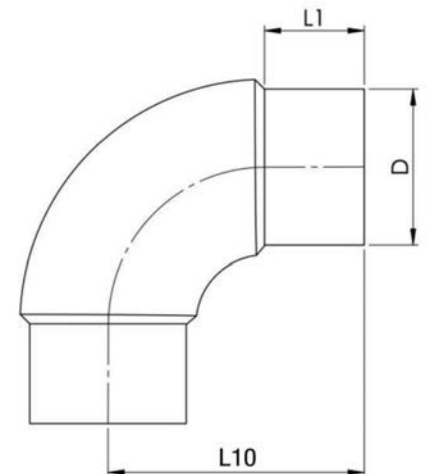
T: +61 7 5474 3000 (Qld)
T: +61 3 9037 4755 (Vic)
E: sales@fusionqld.com.au
W: fusionqld.com.au

TECHNICAL DATA | 90° MULTI BEND LONG SDR17

Standards:	SDR17
Size Range:	63mm - 315mm
Materials:	Polyethelyne (PE) 100
Pressure Rating:	PN10, Water 6 BAR, Gas



d mm	L10 mm	L1 mm	Weight kg	Code
63	130	67	0.2	BWBM179063
75	153	76	0.35	BWBM179075
90	173	83	0.52	BWBM179090
110	195	84	0.95	BWBM1790110
125	216	92	1.34	BWBM1790125
140	237	97	1.76	BWBM1790140
160	262	103	2.41	BWBM1790160
180	290	113	3.39	BWBM1790180
200	317	122	4.61	BWBM1790200
225	350	130	6.41	BWBM1790225
250	382	134	9.83	BWBM1790250
280	430	154	13.71	BWBM1790280
315	465	153	19.35	BWBM1790315



Note:

Installation should always be performed by a licensed operator. It is the responsibility of the installer to check that both the pipe(s) and fitting(s) that are installed are compatible, only compatible materials should be joined together. It is the responsibility of the licensed installer to check the PN and SDR ratings marked on the fitting(s) and ensure that the pipe is compatible. Correct installation procedures should always be followed.

The drawings, materials and specifications outlined are subject to change without notice due to the continuous improvements and development of our product range.

FUSION QLD PTY LTD

ABN: 42 987 067 369
13 Vision Court, Noosaville, QLD, 4566
42-44 South Link, Dandenong, VIC, 3175

CONTACT

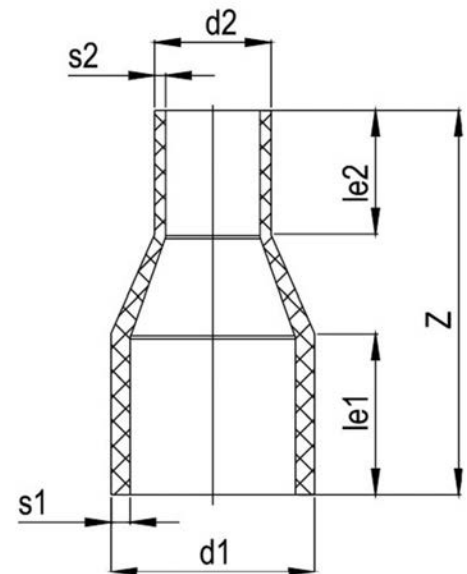
T: +61 7 5474 3000 (Qld)
T: +61 3 9037 4755 (Vic)
E: sales@fusionqld.com.au
W: fusionqld.com.au

TECHNICAL DATA | REDUCER LONG SDR17

Standards:	AS/NZS 4129 SDR17
Size Range:	63 x 32 mm - 400 x 355 mm
Materials:	Polyethelyne (PE) 100
Pressure Rating:	PN10, Water 5 BAR, Gas
Fitting Details:	Injected



d1 mm	d2 mm	Z mm	le1 mm	le2 mm	s1 mm	s2 mm	Weight kg	Code
75	63	175	74	67	4.5	3.8	0.190	BWRL177563
90	63	196	83	67	5.4	3.8	0.255	BWRL179063
90	75	200	78	74	5.4	4.5	0.295	BWRL179075
110	63	214	87	67	6.6	3.8	0.390	BWRL1711063
110	75	216	87	74	6.6	4.5	0.410	BWRL1711075
110	90	213	84	83	6.6	5.4	0.455	BWRL1711090
125	63	195	92	67	7.4	3.8	0.460	BWRL1712563
125	75	215	92	74	7.4	4.5	0.520	BWRL1712575
125	90	222	92	87	7.4	6.6	0.575	BWRL1712590
125	110	222	92	87	7.4	6.6	0.625	BWRL17125110
140	90	225	97	83	8.3	5.4	0.655	BWRL1714090
140	110	233	97	87	8.3	6.6	0.780	BWRL17140110
140	125	225	97	92	8.3	7.4	0.785	BWRL17140125
160	90	245	103	83	9.5	5.4	0.935	BWRL1716090
160	110	250	103	97	9.5	6.6	0.970	BWRL17160110
160	125	250	103	92	9.5	7.4	1.080	BWRL17160125
160	140	245	103	94	9.5	8.3	1.090	BWRL17160140
180	110	255	110	87	10.7	6.6	1.245	BWRL17180110
180	125	255	110	92	10.7	7.4	1.320	BWRL17180125
180	140	250	110	97	10.7	8.3	1.365	BWRL17180140
180	160	255	110	103	10.7	9.5	1.490	BWRL17180160
200	110	275	117	87	11.9	6.6	1.710	BWRL17200110
200	140	275	117	97	11.9	8.3	1.760	BWRL17200140
200	160	270	117	103	11.9	9.5	1.860	BWRL17200160
200	180	275	117	110	11.9	10.7	2.020	BWRL17200180



The drawings, materials and specifications outlined are subject to change without notice due to the continuous improvements and development of our product range.

FUSION QLD PTY LTD

ABN: 42 987 067 369
13 Vision Court, Noosaville, QLD, 4566
42-44 South Link, Dandenong, VIC, 3175

CONTACT

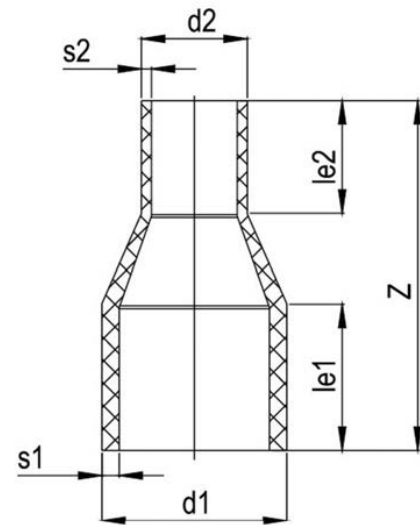
T: +61 7 5474 3000 (Qld)
T: +61 3 9037 4755 (Vic)
E: sales@fusionqld.com.au
W: fusionqld.com.au

TECHNICAL DATA | REDUCER LONG SDR17

Standards:	AS/NZS 4129 SDR17
Size Range:	63mm - 400mm
Materials:	Polyethelyne (PE) 100
Pressure Rating:	PN10, Water 5 BAR, Gas
Fitting Details:	Injected



d1 mm	d2 mm	Z mm	le1 mm	le2 mm	s1 mm	s2 mm	Weight kg	Code
225	110	295	125	87	13.4	6.6	2.320	BWRL17225110
225	160	280	125	103	13.4	9.5	2.325	BWRL17225160
225	180	280	125	110	13.4	10.7	2.440	BWRL17225180
225	200	300	125	127	13.4	11.9	2.750	BWRL17225200
250	160	294	135	103	14.8	9.5	1.815	BWRL17250160
250	180	305	135	110	14.8	11.9	3.450	BWRL17250180
250	200	310	135	117	14.8	13.4	3.560	BWRL17250200
250	225	305	135	125	14.8	13.4	3.560	BWRL17250225
280	180	348	146	117	16.6	10.7	4.190	BWRL17280180
280	200	348	146	110	16.6	11.9	4.435	BWRL17280200
280	225	336	146	125	16.6	13.4	4.560	BWRL17280225
280	250	348	146	135	16.6	14.8	4.940	BWRL17280260
315	225	375	158	125	18.7	13.4	6.125	BWRL17315225
315	250	375	158	135	18.7	14.8	6.430	BWRL17315250
315	280	355	158	146	18.7	16.6	6.350	BWRL17315280
355	315	390	173	158	21.1	18.7	8.680	BWRL17355315
400	315	430	182	155	23.7	18.7	11.500	BWRL17400315
400	355	380	189	173	23.7	21.1	11.930	BWRL17400355



Note:

Installation should always be performed by a licensed operator. It is the responsibility of the installer to check that both the pipe(s) and fitting(s) that are installed are compatible, only compatible materials should be joined together. It is the responsibility of the licensed installer to check the PN and SDR ratings marked on the fitting(s) and ensure that the pipe is compatible. Correct installation procedures should always be followed.

The drawings, materials and specifications outlined are subject to change without notice due to the continuous improvements and development of our product range.

FUSION QLD PTY LTD

ABN: 42 987 067 369
13 Vision Court, Noosaville, QLD, 4566
42-44 South Link, Dandenong, VIC, 3175

CONTACT

T: +61 7 5474 3000 (Qld)
T: +61 3 9037 4755 (Vic)
E: sales@fusionqld.com.au
W: fusionqld.com.au