

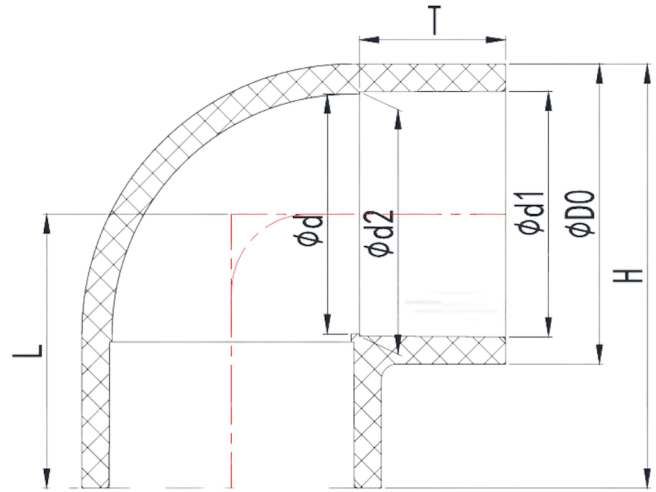
TECHNICAL DATA | CAT 13 uPVC 90° eLBOW

Standards: Compatible with AS/NZS 1477 Pressure Pipe and AS/NZS 4765 Pressure Pipe Applications

Size Range: 200 mm - 375 mm

Materials: uPVC

Pressure Rating: PN 6, PN 12, PN16



Size mm	D0 mm	d1 mm	d2 mm	d	T	H	L	Pressure Rating	Code
200	254.6	226.2	224.9	216.9	119.1	360.9	233.6	PN12	TE90200
225	287.9	251.3	249.9	241.9	131.65	402.5	258.5	PN16	TE90225
250	314.8	281.5	279.9	278	147	448.4	291	PN16	TE90250
300	358.2	316.7	314.9	306.9	164.3	502.1	323	PN16	TE90300
375	442	402	400	369.8	204.2	629.4	413	PN6	TE90375

Note:

Installation should always be performed by a licensed operator. It is the responsibility of the installer to check that both the pipe(s) and fitting(s) that are installed are compatible, only compatible materials should be joined together. It is the responsibility of the licensed installer to check the PN and SDR ratings marked on the fitting(s) and ensure that the pipe is compatible. Correct installation procedures should always be followed.

The drawings, materials and specifications outlined are subject to change without notice due to the continuous improvements and development of our product range.

FUSION QLD PTY LTD

ABN: 42 987 067 369
13 Vision Court, Noosaville, QLD, 4566
42-44 South Link, Dandenong, VIC, 3175

CONTACT

T: +61 7 5474 3000 (Qld)
T: +61 3 9037 4755 (Vic)
E: sales@fusionqld.com.au
W: fusionqld.com.au