

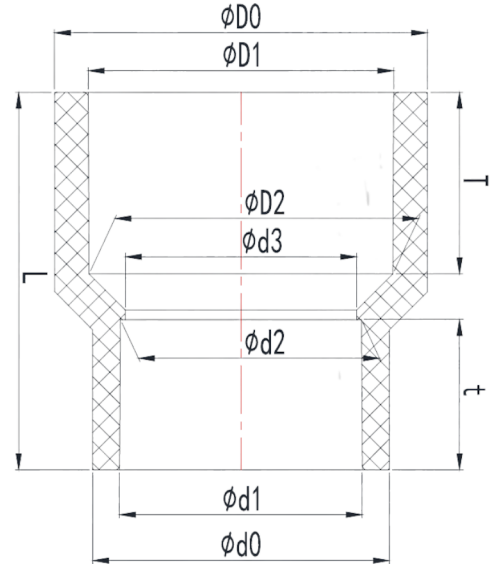
TECHNICAL DATA | CAT 8 uPVC REDUCING COUPLING

Standards: Compatible with AS/NZS 1477 Pressure Pipe and AS/NZS 4765 Pressure Pipe Applications

Size Range: 200 x 150 mm - 375 x 300 mm

Materials: uPVC

Pressure Rating: PN 6, PN 12, PN16



Size mm	D0 mm	D1 mm	D2 mm	d0	d1	d2	d3	t	T	L	PN	Code
200 x 150	252.28	225.56	224.9	180.15	160.8	159.9	153.9	86.2	119.1	242.5	PN12	TRC200150
225 x 200	287.3	251.3	249.9	259	226.2	224.9	216.9	119.1	131.65	269.5	PN16	TRC225200
250 x 200	314.8	281.3	279.9	259.4	226.2	224.9	216.9	119.1	147	304.5	PN16	TRC250200
250 x 225	314.8	281.3	279.9	259.4	250.1	249.41	247	131.37	141.22	304.5	PN16	TRC250225
300 x 150	345	316.55	315.05	180.24	160.25	159.9	158.9	85.61	169.09	338.8	PN8	TRC300150
300 x 200	354.6	316.6	314.9	259.4	226.2	224.9	216.9	119.1	147	338	PN16	TRC300200

Note:

Installation should always be performed by a licensed operator. It is the responsibility of the installer to check that both the pipe(s) and fitting(s) that are installed are compatible, only compatible materials should be joined together. It is the responsibility of the licensed installer to check the PN and SDR ratings marked on the fitting(s) and ensure that the pipe is compatible. Correct installation procedures should always be followed.

The drawings, materials and specifications outlined are subject to change without notice due to the continuous improvements and development of our product range.

FUSION QLD PTY LTD

ABN: 42 987 067 369
13 Vision Court, Noosaville, QLD, 4566
42-44 South Link, Dandenong, VIC, 3175

CONTACT

T: +61 7 5474 3000 (Qld)
T: +61 3 9037 4755 (Vic)
E: sales@fusionqld.com.au
W: fusionqld.com.au

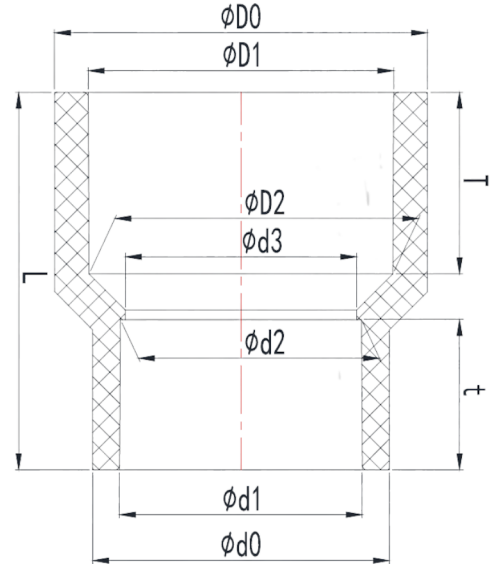
TECHNICAL DATA | CAT 8 uPVC REDUCING COUPLING

Standards: Compatible with AS/NZS 1477 Pressure Pipe and AS/NZS 4765 Pressure Pipe Applications

Size Range: 200 x 150 mm - 375 x 300 mm

Materials: uPVC

Pressure Rating: PN 6, PN 12, PN16



Size mm	D0 mm	D1 mm	D2 mm	d0	d1	d2	d3	t	T	L	PN	Code
300 x 225	342.8	316.55	315.05	273.7	251.15	249.41	247	132	165	351	PN12	TRC300225
300 x 250	354.6	316.6	314.9	314.8	281.3	279.9	278	147	164.3	337	PN16	TRC300250
375 x 200	442	402	400	259.4	226.2	224.9	216.9	119.1	164.3	304.5	PN6	TRC375200
375 x 225	442	402	400	273.7	251.3	249.41	247	132	207	338	PN6	TRC375225
375 x 300	442	402	400	344	316.6	314.9	306.9	164.3	207	435	PN6	TRC375300

Note:

Installation should always be performed by a licensed operator. It is the responsibility of the installer to check that both the pipe(s) and fitting(s) that are installed are compatible, only compatible materials should be joined together. It is the responsibility of the licensed installer to check the PN and SDR ratings marked on the fitting(s) and ensure that the pipe is compatible. Correct installation procedures should always be followed.

The drawings, materials and specifications outlined are subject to change without notice due to the continuous improvements and development of our product range.

FUSION QLD PTY LTD

ABN: 42 987 067 369
13 Vision Court, Noosaville, QLD, 4566
42-44 South Link, Dandenong, VIC, 3175

CONTACT

T: +61 7 5474 3000 (Qld)
T: +61 3 9037 4755 (Vic)
E: sales@fusionqld.com.au
W: fusionqld.com.au