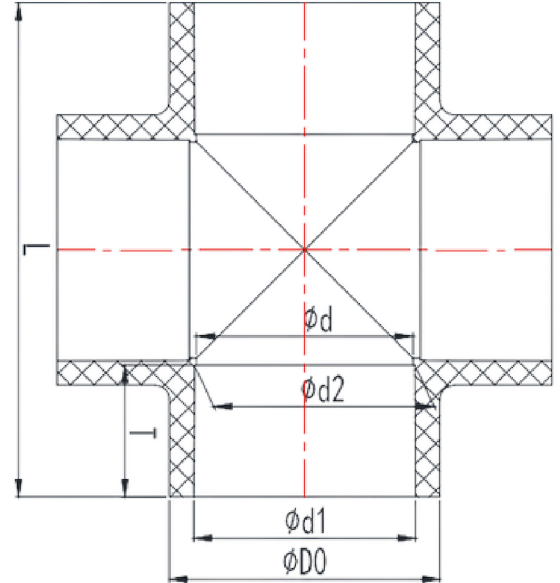


## TECHNICAL DATA | CROSS

Standards: ASTM D2467

Size Range: 1/2" - 8"

Materials: uPVC



Size inch	D0 mm	d1 mm	d2 mm	d mm	T mm	L mm	Code
1/2"	29.54	21.54	21.23	17	23.22	72.5	STCROSS15
3/4"	35.36	26.87	26.57	22.5	26.4	82.8	STCROSS20
1"	43.66	33.66	33.27	29	29.57	94.2	STCROSS25
1 1/4"	53.02	42.42	42.04	38	32.75	111.5	STCROSS32
1 1/2"	59.86	48.56	48.11	43	35.93	124	STCROSS40
2"	72.23	60.63	60.17	55	39.1	143.7	STCROSS50
3"	88	73.38	72.85	67.5	45.45	169	STCROSS80
4"	105.3	89.31	88.7	83	48.63	193.26	STCROSS100
6"	132	114.76	114.07	106	58.15	234.5	STCROSS150
8"	190.85	168.83	168	160	77.2	332.5	STCROSS200

**Note:**

Installation should always be performed by a licensed operator. It is the responsibility of the installer to check that both the pipe(s) and fitting(s) that are installed are compatible, only compatible materials should be joined together. It is the responsibility of the licensed installer to check the PN ratings marked on the fitting(s) and ensure that the pipe is compatible. Correct installation procedures should always be followed.

The drawings, materials and specifications outlined are subject to change without notice due to the continuous improvements and development of our product range.

**FUSION QLD PTY LTD**

ABN: 42 987 067 369  
13 Vision Court, Noosaville, QLD, 4566  
42-44 South Link, Dandenong, VIC, 3175

**CONTACT**

T: +61 7 5474 3000 (Qld)  
T: +61 3 9037 4755 (Vic)  
E: sales@fusionqld.com.au  
W: fusionqld.com.au