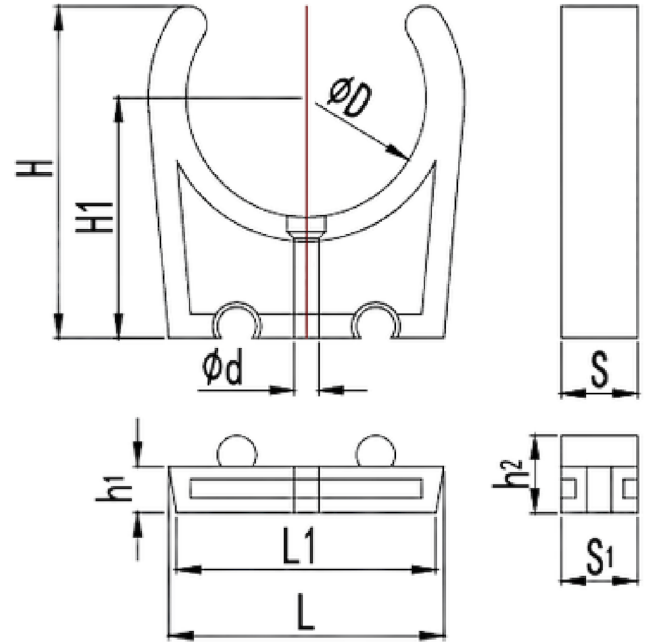
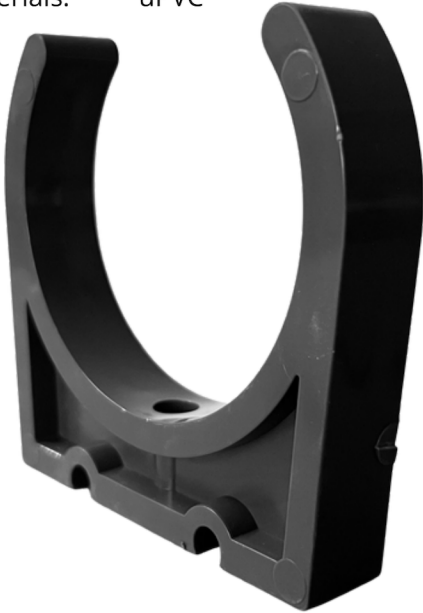


TECHNICAL DATA | PIPE BRACKET

Standards: ASTM D2467

Size Range: 1/2" - 5"

Materials: uPVC



Size inch	D mm	H mm	H1 mm	d mm	S mm	L mm	L1 mm	h1 mm	h2 mm	S1 mm	Code
1/2"	20.2	35.4	27.2	5.2	16	-	-	-	-	-	SADPB15
3/4"	25.1	41	30.5	5.2	16	-	-	-	-	-	SADPB20
1"	32.1	52.8	40	5.2	16	-	-	-	-	-	SADPB25
1 1/4"	40.1	59.3	44	5.2	16	-	-	-	-	-	SADPB32
1 1/2"	50.1	71.2	52	5.2	16	-	-	-	-	-	SADPB40
2"	63.1	88.5	65	5.2	16	-	-	-	-	-	SADPB50
2 1/2"	75.1	91.8	62.5	5.2	16	82.85	79.11	20	26.9	16	SADPB65
3"	90.1	103.9	69	5.2	20	97.22	91.87	30	36.9	20	SADPB80
4"	110.1	124.5	85	5.2	20	105	96.38	30	36.9	20	SADPB100
5"	140.1	154.5	108	9	25.4	-	-	-	-	-	SADPB125

Note:

Installation should always be performed by a licensed operator. It is the responsibility of the installer to check that both the pipe(s) and fitting(s) that are installed are compatible, only compatible materials should be joined together. It is the responsibility of the licensed installer to check the PN ratings marked on the fitting(s) and ensure that the pipe is compatible. Correct installation procedures should always be followed.

The drawings, materials and specifications outlined are subject to change without notice due to the continuous improvements and development of our product range.

FUSION QLD PTY LTD

ABN: 42 987 067 369
13 Vision Court, Noosaville, QLD, 4566
42-44 South Link, Dandenong, VIC, 3175

CONTACT

T: +61 7 5474 3000 (Qld)
T: +61 3 9037 4755 (Vic)
E: sales@fusionqld.com.au
W: fusionqld.com.au