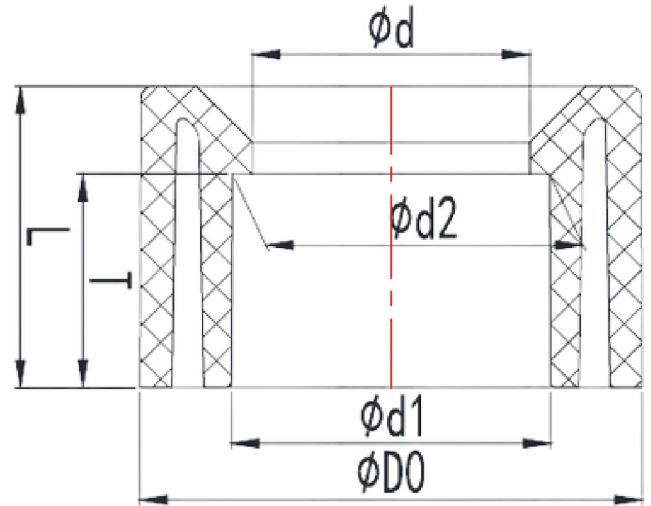


TECHNICAL DATA | REDUCING BUSH

Standards: ASTM D2467
 Size Range: 1/2" x 1/4" - 12" x 10"
 Materials: uPVC



Size inch	D0 mm	D1 mm	D2 mm	D3 mm	d0 mm	d1 mm	d2 mm	Code
1/2" x 1/4"	21.34	14.02	13.6	10	16.5	23.5	29	STRB155
1/2" x 3/8"	21.34	17.45	17.04	12	19.5	23.5	29	STRB1510
3/4" x 1/2"	26.67	21.54	21.23	17	23.22	26.4	31.9	STRB2015
1" x 3/8"	33.4	17.45	17.04	12	19.5	29.58	35.58	STRB2510
1" x 1/2"	33.4	21.54	21.23	17	23.22	29.58	35.58	STRB2515
1" x 3/4"	33.4	26.87	26.57	22.5	26.4	29.58	35.58	STRB2520
1 1/4" x 1/2"	42.16	21.54	21.23	17	23.22	30	36	STRB3215
1 1/4" x 3/4"	42.16	26.87	26.57	22.5	26.4	30	36	STRB3220
1 1/4" x 1"	42.16	33.66	33.27	29	29.57	30	36	STRB3225
1 1/2" x 1/2"	48.26	21.54	21.23	17	23.22	35.93	41.93	STRB4015
1 1/2" x 3/4"	48.26	26.87	26.57	22.5	26.4	35.93	41.93	STRB4020

Note:

Installation should always be performed by a licensed operator. It is the responsibility of the installer to check that both the pipe(s) and fitting(s) that are installed are compatible, only compatible materials should be joined together. It is the responsibility of the licensed installer to check the PN ratings marked on the fitting(s) and ensure that the pipe is compatible. Correct installation procedures should always be followed.

The drawings, materials and specifications outlined are subject to change without notice due to the continuous improvements and development of our product range.

FUSION QLD PTY LTD

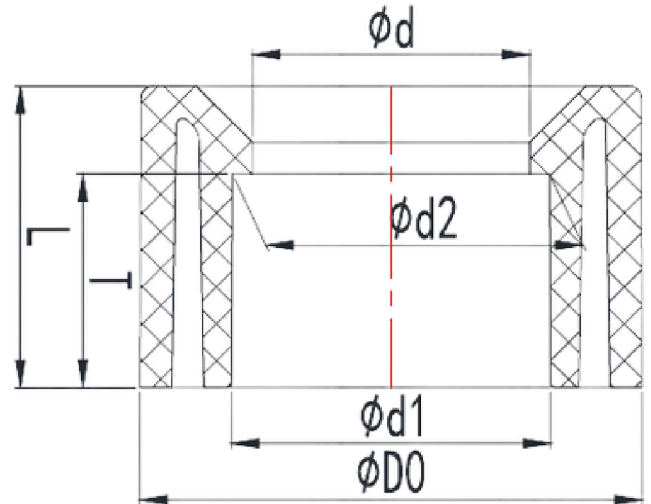
ABN: 42 987 067 369
 13 Vision Court, Noosaville, QLD, 4566
 42-44 South Link, Dandenong, VIC, 3175

CONTACT

T: +61 7 5474 3000 (Qld)
 T: +61 3 9037 4755 (Vic)
 E: sales@fusionqld.com.au
 W: fusionqld.com.au

TECHNICAL DATA | REDUCING BUSH

Standards: ASTM D2467
 Size Range: 1/2" x 1/4" - 12" x 10"
 Materials: uPVC



Size inch	D0 mm	D1 mm	D2 mm	D3 mm	d0 mm	d1 mm	d2 mm	Code
1½" x 1"	48.26	33.66	33.27	29	29.57	35.93	41.93	STRB4025
1½" x 1¼"	48.26	42.42	42.04	38	32.75	35.93	41.93	STRB4032
2" x 1/2"	60.33	21.54	21.23	17	23.22	39.1	45.1	STRB5015
2" x 3/4"	60.33	26.87	26.57	22.5	26.4	39.1	45.1	STRB5020
2" x 1"	60.33	33.66	33.27	29	29.57	39.1	45.1	STRB5025
2" x 1¼"	60.33	42.42	42.04	38	32.75	39.1	45.1	STRB5032
2" x 1½"	60.33	48.56	48.11	43	35.93	39.1	45.1	STRB5040
2½" x 1½"	70.03	48.56	48.11	43	35.93	45	51	STRB6540
2½" x 2"	70.03	60.63	60.17	55	39.1	45	51	STRB6550
3" x 1½"	88.9	48.56	48.11	43	35.93	49	57	STRB8040
3" x 2"	88.9	60.63	60.17	55	39.1	49	57	STRB8050

Note:

Installation should always be performed by a licensed operator. It is the responsibility of the installer to check that both the pipe(s) and fitting(s) that are installed are compatible, only compatible materials should be joined together. It is the responsibility of the licensed installer to check the PN ratings marked on the fitting(s) and ensure that the pipe is compatible. Correct installation procedures should always be followed.

The drawings, materials and specifications outlined are subject to change without notice due to the continuous improvements and development of our product range.

FUSION QLD PTY LTD

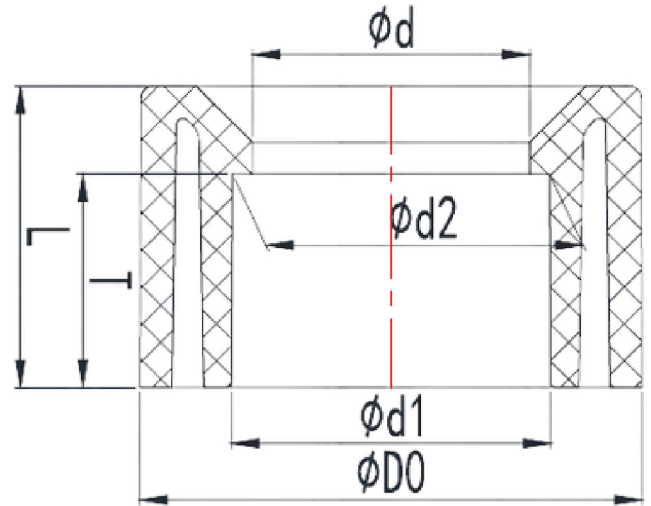
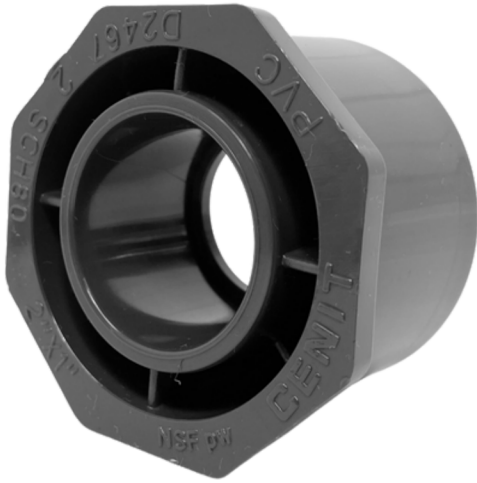
ABN: 42 987 067 369
 13 Vision Court, Noosaville, QLD, 4566
 42-44 South Link, Dandenong, VIC, 3175

CONTACT

T: +61 7 5474 3000 (Qld)
 T: +61 3 9037 4755 (Vic)
 E: sales@fusionqld.com.au
 W: fusionqld.com.au

TECHNICAL DATA | REDUCING BUSH

Standards: ASTM D2467
 Size Range: 1/2" x 1/4" - 12" x 10"
 Materials: uPVC



Size inch	D0 mm	D1 mm	D2 mm	D3 mm	d0 mm	d1 mm	d2 mm	Code
3" x 2½"	88.9	48.56	48.11	67.5	35.93	49	57	STRB8065
4" x 2"	114.3	60.63	60.17	55	39.1	59	67	STRB10050
4" x 2½"	114.3	48.56	48.11	67.5	35.93	59	67	STRB10065
4" x 3"	114.3	89.31	88.7	83	48.63	59	67	STRB10080
5" x 4"	141.3	114.76	114.07	106	58.15	69	79	STRB125100
6" x 3"	168.3	89.31	88.7	83	48.63	78	90	STRB15080
6" x 4"	168.3	114.76	114.07	106	58.15	78	90	STRB150100
6" x 5"	168.3	141.81	141.04	133	67.68	78	90	STRB150125
8" x 4"	219.1	114.76	114.07	106	58.15	103	115	STRB200100
8" x 6"	219.1	168.83	168	160	77.2	103	115	STRB200150
10" x 3"	273.05	89.31	88.7	83	48.63	127	148	STRB25080

Note:

Installation should always be performed by a licensed operator. It is the responsibility of the installer to check that both the pipe(s) and fitting(s) that are installed are compatible, only compatible materials should be joined together. It is the responsibility of the licensed installer to check the PN ratings marked on the fitting(s) and ensure that the pipe is compatible. Correct installation procedures should always be followed.

The drawings, materials and specifications outlined are subject to change without notice due to the continuous improvements and development of our product range.

FUSION QLD PTY LTD

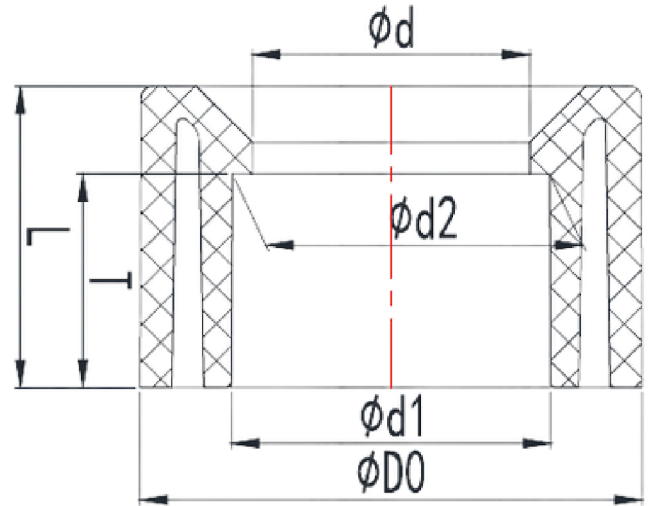
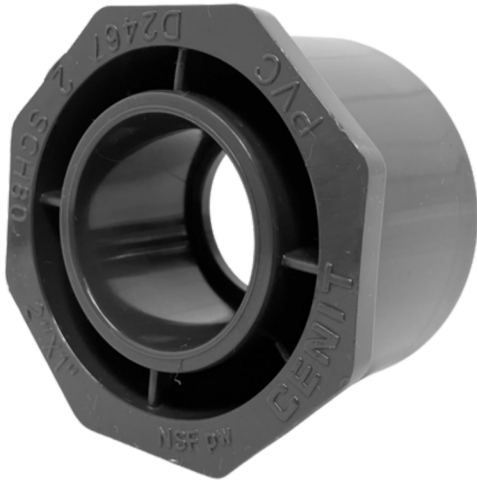
ABN: 42 987 067 369
 13 Vision Court, Noosaville, QLD, 4566
 42-44 South Link, Dandenong, VIC, 3175

CONTACT

T: +61 7 5474 3000 (Qld)
 T: +61 3 9037 4755 (Vic)
 E: sales@fusionqld.com.au
 W: fusionqld.com.au

TECHNICAL DATA | REDUCING BUSH

Standards: ASTM D2467
 Size Range: 1/2" x 1/4" - 12" x 10"
 Materials: uPVC



Size inch	D0 mm	D1 mm	D2 mm	D3 mm	d0 mm	d1 mm	d2 mm	Code
10" x 4"	273.05	114.76	114.07	106	58.15	127	148	STRB250100
10" x 6"	273.05	168.83	168	160	77.2	127	148	STRB250150
10" x 8"	273.05	219.84	218.69	208	102.6	127	148	STRB250200
12" x 4"	323.85	114.76	114.07	106	58.15	151	169	STRB300100
12" x 6"	323.85	168.83	168	160	77.2	151	169	STRB300150
12" x 8"	323.85	219.84	218.69	208	102.6	151	169	STRB300200
12" x 10"	323.85	273.81	272.67	262.5	128	151	169	STRB300250

Note:

Installation should always be performed by a licensed operator. It is the responsibility of the installer to check that both the pipe(s) and fitting(s) that are installed are compatible, only compatible materials should be joined together. It is the responsibility of the licensed installer to check the PN ratings marked on the fitting(s) and ensure that the pipe is compatible. Correct installation procedures should always be followed.

The drawings, materials and specifications outlined are subject to change without notice due to the continuous improvements and development of our product range.

FUSION QLD PTY LTD

ABN: 42 987 067 369
 13 Vision Court, Noosaville, QLD, 4566
 42-44 South Link, Dandenong, VIC, 3175

CONTACT

T: +61 7 5474 3000 (Qld)
 T: +61 3 9037 4755 (Vic)
 E: sales@fusionqld.com.au
 W: fusionqld.com.au