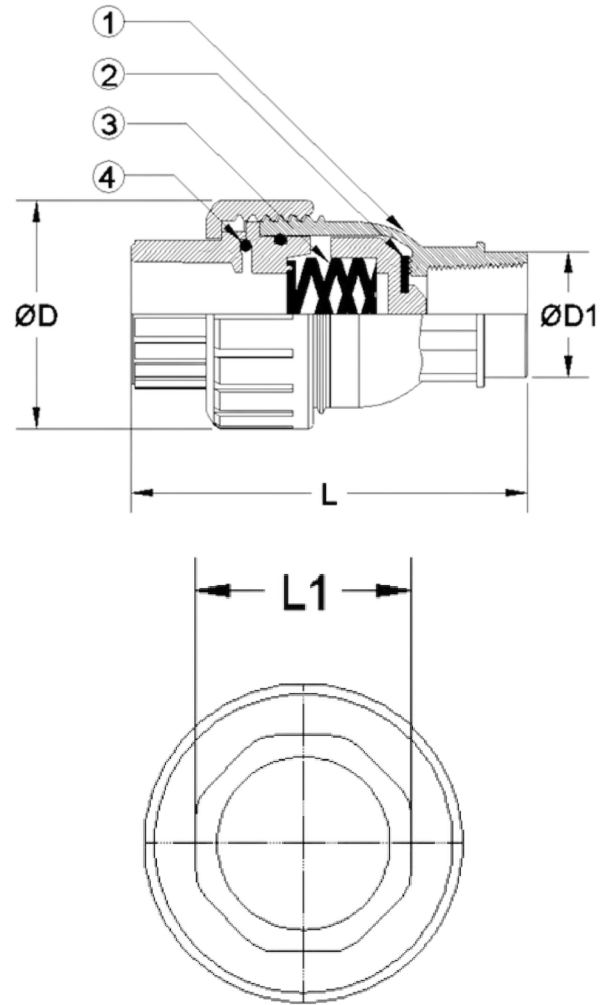


## TECHNICAL DATA | SPRING CHECK VALVE THREADED

Standards: ASTM D2467  
 Size Range: 1/2" - 2"  
 Materials:  
 1. Body: uPVC  
 2. O-Ring: EPDM  
 3. Spring: Steel  
 4. Thread: uPVC  
 Fitting Details: BSP Threaded



Size inch	D mm	D1 mm	L mm	L1 mm	Code
1/2"	58	15	98		TSCVT15
3/4"	58	20	100	34	TSCVT20
1"	58	25	106.5	40	TSCVT25
1½"	102	40	164	55	TSCVT40
2"	102	50	170	68	TSCVT50

**Note:**

Installation should always be performed by a licensed operator. It is the responsibility of the installer to check that both the pipe(s) and fitting(s) that are installed are compatible, only compatible materials should be joined together. It is the responsibility of the licensed installer to check the PN ratings marked on the fitting(s) and ensure that the pipe is compatible. Correct installation procedures should always be followed.

The drawings, materials and specifications outlined are subject to change without notice due to the continuous improvements and development of our product range.

**FUSION QLD PTY LTD**

ABN: 42 987 067 369  
 13 Vision Court, Noosaville, QLD, 4566  
 42-44 South Link, Dandenong, VIC, 3175

**CONTACT**

T: +61 7 5474 3000 (Qld)  
 T: +61 3 9037 4755 (Vic)  
 E: sales@fusionqld.com.au  
 W: fusionqld.com.au