

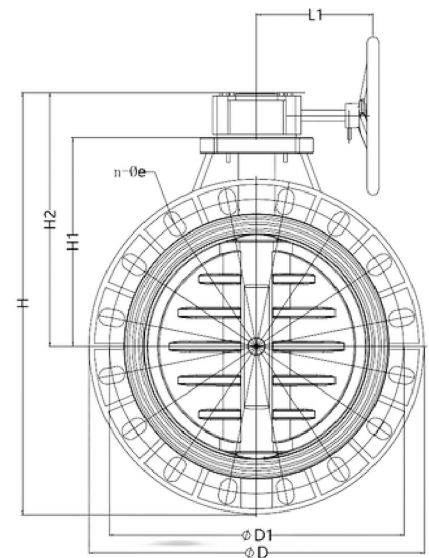
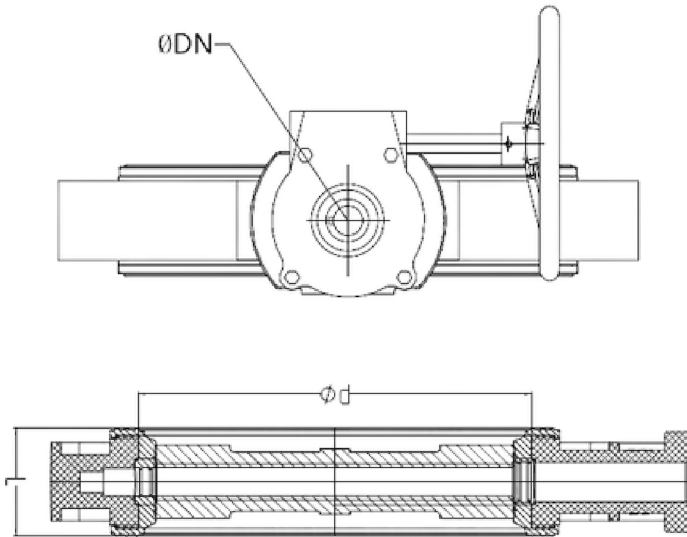
TECHNICAL DATA | uPVC BUTTERFLY VALVE WITH GEARBOX

Standards: Compatible with AS/NZS 1477 Pressure Pipe Applications

Size Range: 200mm - 300mm

Materials:
 Body: uPVC
 Seal: EPDM
 O-Ring: EPDM
 Shaft: Steel, Zinc Plated
 Gear: Steel, Zinc Plated

Connection: Flange



Size mm	D mm	D1 mm	d mm	L mm	DN mm	L1 mm	H1 mm	H2 mm	H mm	PN Rating	Code
200	242.60	295	214.20	76	70/102	190	229	299	470	10	TBFVGD200
250	409.65	355	250	85	102	190	264	334	540	8	TBFVGD250
300	483.55	400	290	92	102	190	301.50	371.50	613	8	TBFVGD300

Note:

Installation should always be performed by a licensed operator. It is the responsibility of the installer to check that both the pipe(s) and fitting(s) that are installed are compatible, only compatible materials should be joined together. It is the responsibility of the licensed installer to check the PN and PSI ratings marked on the fitting(s) and ensure that the pipe is compatible. Correct installation procedures should always be followed.

The drawings, materials and specifications outlined are subject to change without notice due to the continuous improvements and development of our product range.

FUSION QLD PTY LTD

ABN: 42 987 067 369
 13 Vision Court, Noosaville, QLD, 4566
 42-44 South Link, Dandenong, VIC, 3175

CONTACT

T: +61 7 5474 3000 (Qld)
 T: +61 3 9037 4755 (Vic)
 E: sales@fusionqld.com.au
 W: fusionqld.com.au