

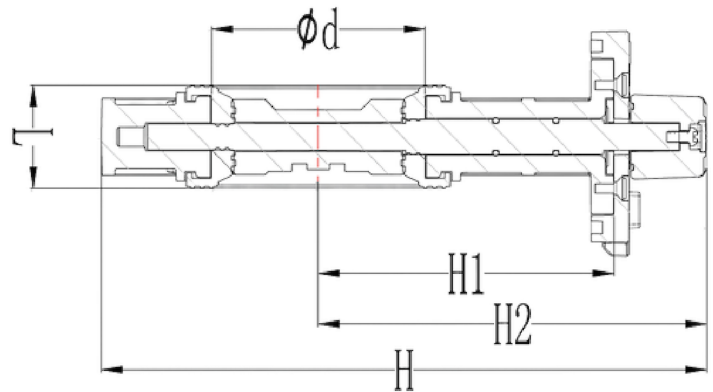
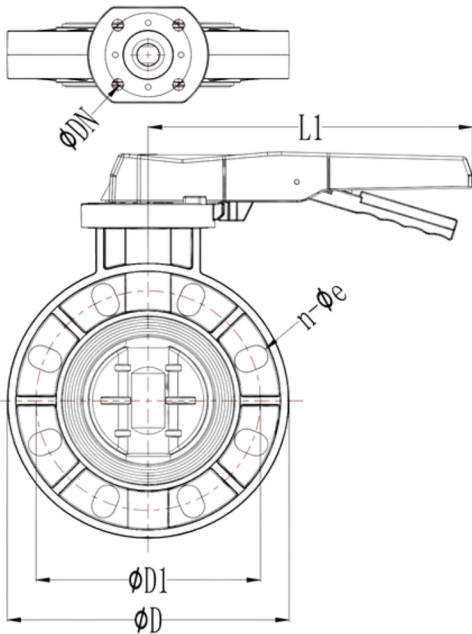
# TECHNICAL DATA | uPVC BUTTERFLY VALVE WITH STAINLESS STEEL 316 SHAFT

Standards: Compatible with AS/NZS 1477 Pressure Pipe Applications

Size Range: 80mm - 200mm

Materials:  
 Body: uPVC  
 Seal: EPDM  
 O-Ring: EPDM  
 Shaft: Stainless Steel 316  
 Handle: uPVC

Connection: Flange



Size mm	D mm	D1 mm	d mm	L mm	DN mm	L1 mm	H1 mm	H2 mm	H mm	PN Rating	Code
80	178	160	92.60	57	70	241	127	168	257	8-19	TBFVS80
100	207	180	112.60	61.40	70	241	142	183	286.50	8-19	TBFVS100
150	258	240	161.40	80	102	320	177.50	219.50	348.50	8-23	TBFVS150
200	325.60	295	199	80	102	320	206.50	248.50	411.30	8-23	TBFVS200

**Note:**

Installation should always be performed by a licensed operator. It is the responsibility of the installer to check that both the pipe(s) and fitting(s) that are installed are compatible, only compatible materials should be joined together. It is the responsibility of the licensed installer to check the PN and PSI ratings marked on the fitting(s) and ensure that the pipe is compatible. Correct installation procedures should always be followed.

The drawings, materials and specifications outlined are subject to change without notice due to the continuous improvements and development of our product range.

**FUSION QLD PTY LTD**

ABN: 42 987 067 369  
 13 Vision Court, Noosaville, QLD, 4566  
 42-44 South Link, Dandenong, VIC, 3175

**CONTACT**

T: +61 7 5474 3000 (Qld)  
 T: +61 3 9037 4755 (Vic)  
 E: sales@fusionqld.com.au  
 W: fusionqld.com.au