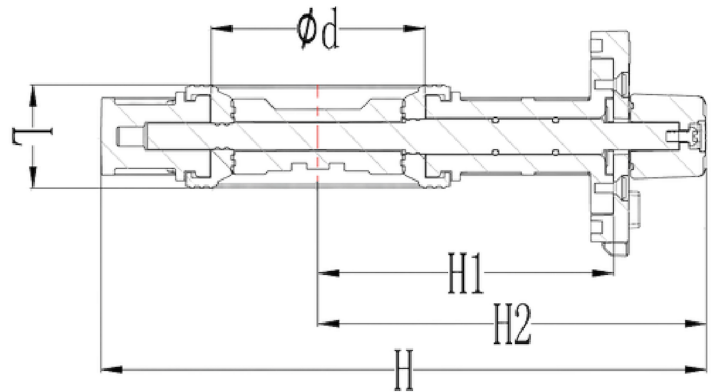
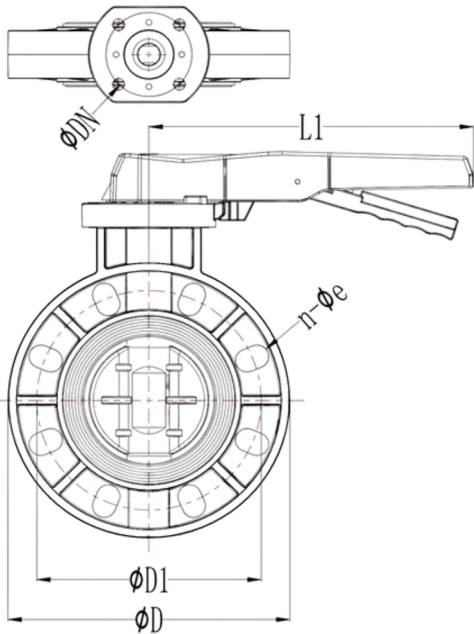


# TECHNICAL DATA | uPVC BUTTERFLY VALVE WITH ZINC PLATED SHAFT

- Standards: Compatible with AS/NZS 1477 Pressure Pipe Applications
- Size Range: 65mm - 200mm
- Materials: Body: uPVC  
Seal: EPDM  
O-Ring: EPDM  
Shaft: Steel, Zinc Plated  
Handle: ABS
- Connection: Flange



Size mm	D mm	D1 mm	d mm	L mm	DN mm	L1 mm	H1 mm	H2 mm	H mm	PN Rating	Code
65	180	145	78.70	36	70	215.80	115.50	155.40	245.40	10	TBFV65
80	196	160	92.10	42	70	215.80	127	170.90	268.90	10	TBFV80
100	229.60	180	111.90	46	70	264.20	156.25	205.15	320	10	TBFV100
150	281.50	240	157.35	59.40	70/102	305.40	190	250.60	391.35	10	TBFV150
200	342.60	295	214.20	76	70/102	303.27	229	280.60	460.90	10	TBFV200

**Note:**

Installation should always be performed by a licensed operator. It is the responsibility of the installer to check that both the pipe(s) and fitting(s) that are installed are compatible, only compatible materials should be joined together. It is the responsibility of the licensed installer to check the PN and PSI ratings marked on the fitting(s) and ensure that the pipe is compatible. Correct installation procedures should always be followed.

The drawings, materials and specifications outlined are subject to change without notice due to the continuous improvements and development of our product range.

**FUSION QLD PTY LTD**

ABN: 42 987 067 369  
13 Vision Court, Noosaville, QLD, 4566  
42-44 South Link, Dandenong, VIC, 3175

**CONTACT**

T: +61 7 5474 3000 (Qld)  
T: +61 3 9037 4755 (Vic)  
E: sales@fusionqld.com.au  
W: fusionqld.com.au