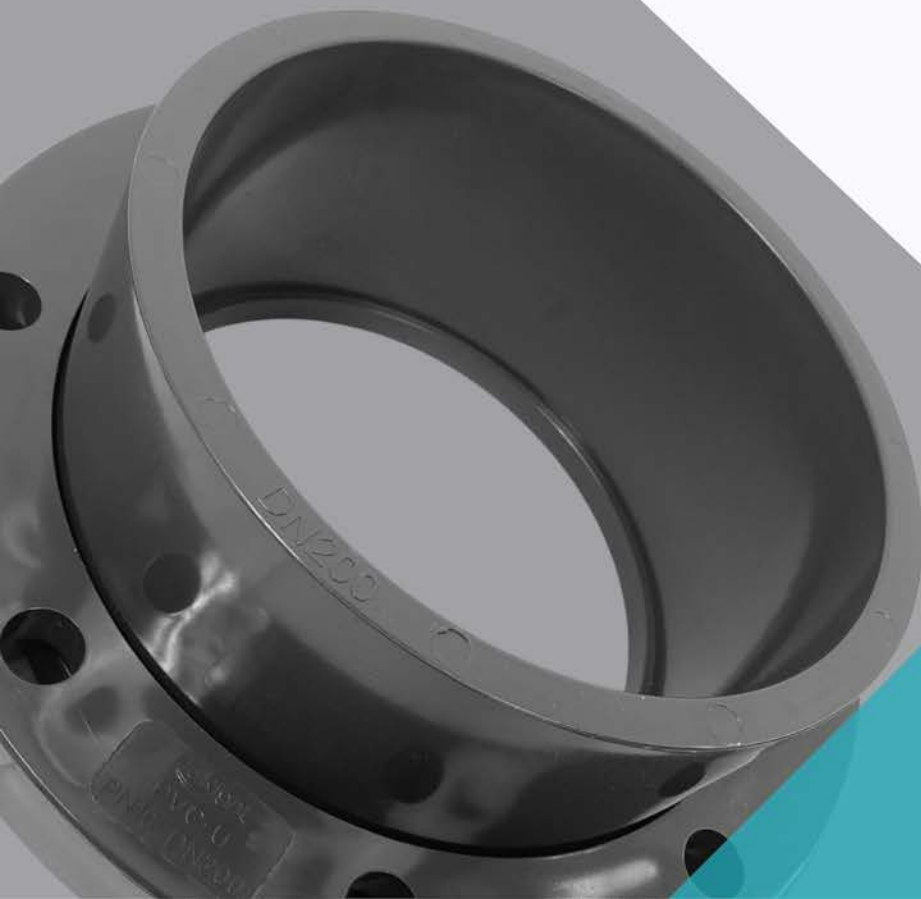


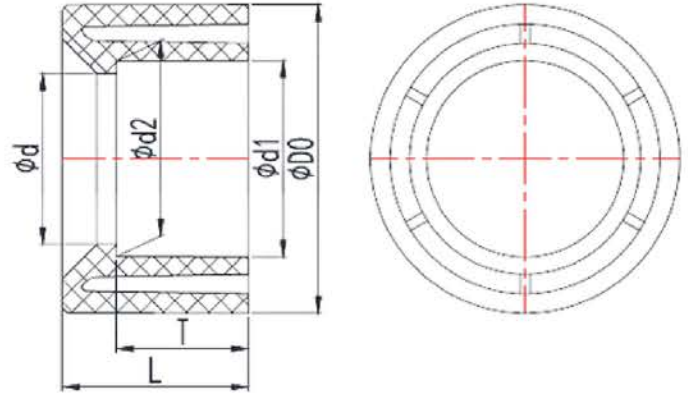
# LARGE BORE uPVC TECHNICAL DATA

---



## TECHNICAL DATA | CAT 5 uPVC REDUCING BUSH

Standards: Compatible with AS/NZS 1477 Pressure Pipe and AS/NZS 4765 Pressure Pipe Applications  
 Size Range: 200 x 150 mm - 375 x 300 mm  
 Materials: uPVC



Size mm	D0 mm	d1 mm	d2 mm	d	T	L	Code
<b>200 x 150</b>	225	160.8	159.9	150.5	85.5	118.7	TRB200150
<b>225 x 150</b>	250	160.8	159.9	150.5	85.5	131.2	TRB225150
<b>225 x 200</b>	250	226.2	224.9	210.8	119.1	131.2	TRB225200
<b>250 x 150</b>	280	160.8	159.9	150.5	119.1	146.2	TRB250150
<b>250 x 200</b>	280	226.2	224.9	210.8	119.1	146.2	TRB250200
<b>250 x 225</b>	280	251.15	249.9	239	131.65	206.2	TRB250225
<b>300 x 150</b>	315	160.8	159.9	150.5	85.8	163.7	TRB300150
<b>300 x 200</b>	315	226.2	224.9	210.8	119.1	163.7	TRB300200
<b>300 x 225</b>	315	251.15	249.9	239	131.65	163.7	TRB300225
<b>300 x 250</b>	315	281.5	279.9	263.5	146.2	163.7	TRB300250
<b>375 x 200</b>	400	226.2	224.9	210.8	131.65	206.2	TRB375200
<b>375 x 225</b>	400	251.15	249.9	239	131.65	206.2	TRB375225
<b>375 x 300</b>	400	316.6	314.9	305	164.3	206.2	TRB375300

**Note:**

Installation should always be performed by a licensed operator. It is the responsibility of the installer to check that both the pipe(s) and fitting(s) that are installed are compatible, only compatible materials should be joined together. It is the responsibility of the licensed installer to check the PN and SDR ratings marked on the fitting(s) and ensure that the pipe is compatible. Correct installation procedures should always be followed.

The drawings, materials and specifications outlined are subject to change without notice due to the continuous improvements and development of our product range.

**FUSION QLD PTY LTD**

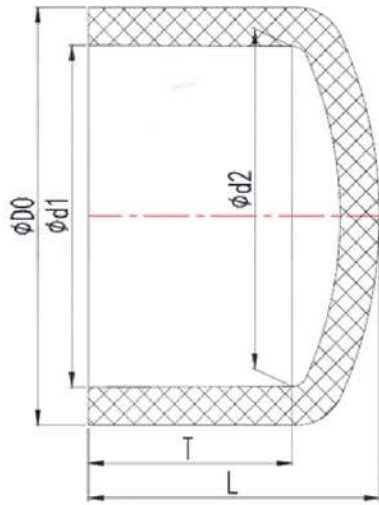
ABN: 42 987 067 369  
 13 Vision Court, Noosaville, QLD, 4566  
 42-44 South Link, Dandenong, VIC, 3175

**CONTACT**

T: +61 7 5474 3000 (Qld)  
 T: +61 3 9037 4755 (Vic)  
 E: sales@fusionqld.com.au  
 W: fusionqld.com.au

## TECHNICAL DATA | CAT 6 uPVC END CAP

Standards: Compatible with AS/NZS 1477 Pressure Pipe and AS/NZS 4765 Pressure Pipe Applications  
 Size Range: 200 mm - 375 mm  
 Materials: uPVC



Size mm	D0 mm	d1 mm	d2 mm	T	L	Pressure Rating	Code
200	254.6	226.2	224.9	119.1	170.4	PN12	TCAP200
225	287.9	251.3	249.9	131.65	186.9	PN16	TCAP225
250	314.8	281.5	279.9	147	212.5	PN16	TCAP250
300	358.2	316.7	314.9	164.3	234.5	PN16	TCAP300
375	442	402	400	204.2	294	PN6	TCAP375

**Note:**

Installation should always be performed by a licensed operator. It is the responsibility of the installer to check that both the pipe(s) and fitting(s) that are installed are compatible, only compatible materials should be joined together. It is the responsibility of the licensed installer to check the PN and SDR ratings marked on the fitting(s) and ensure that the pipe is compatible. Correct installation procedures should always be followed.

The drawings, materials and specifications outlined are subject to change without notice due to the continuous improvements and development of our product range.

**FUSION QLD PTY LTD**

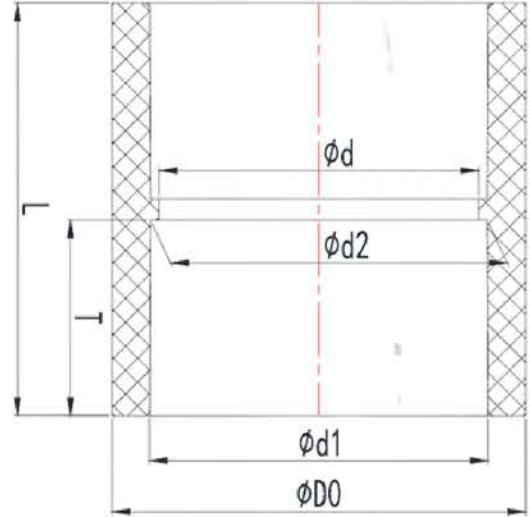
ABN: 42 987 067 369  
 13 Vision Court, Noosaville, QLD, 4566  
 42-44 South Link, Dandenong, VIC, 3175

**CONTACT**

T: +61 7 5474 3000 (Qld)  
 T: +61 3 9037 4755 (Vic)  
 E: sales@fusionqld.com.au  
 W: fusionqld.com.au

## TECHNICAL DATA | CAT 7 uPVC COUPLING

Standards: Compatible with AS/NZS 1477 Pressure Pipe and AS/NZS 4765 Pressure Pipe Applications  
 Size Range: 200 mm - 375 mm  
 Materials: uPVC



Size mm	D0 mm	d1 mm	d2 mm	d	T	L	Pressure Rating	Code
200	254.6	226.2	224.9	216.9	119.1	243	PN12	TCOUP200
225	287.9	251.3	249.9	241.9	131.65	268.3	PN16	TCOUP225
250	314.5	281.5	279.9	278	147	300	PN16	TCOUP250
300	354	316.7	314.9	306.9	164.3	335.4	PN16	TCOUP300
375	430.15	402	400	369.8	205.5	422.8	PN6	TCOUP375

**Note:**

Installation should always be performed by a licensed operator. It is the responsibility of the installer to check that both the pipe(s) and fitting(s) that are installed are compatible, only compatible materials should be joined together. It is the responsibility of the licensed installer to check the PN and SDR ratings marked on the fitting(s) and ensure that the pipe is compatible. Correct installation procedures should always be followed.

The drawings, materials and specifications outlined are subject to change without notice due to the continuous improvements and development of our product range.

**FUSION QLD PTY LTD**

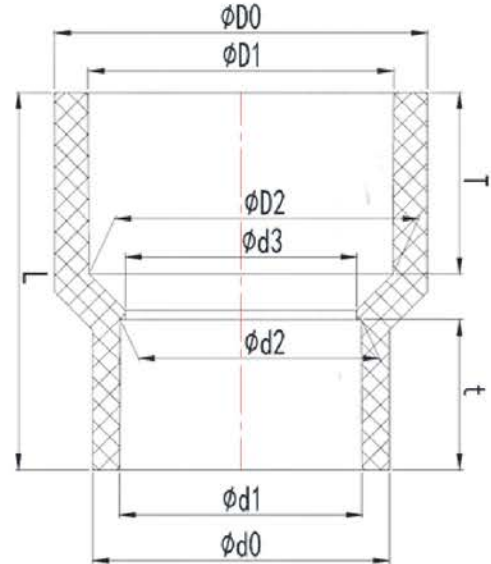
ABN: 42 987 067 369  
 13 Vision Court, Noosaville, QLD, 4566  
 42-44 South Link, Dandenong, VIC, 3175

**CONTACT**

T: +61 7 5474 3000 (Qld)  
 T: +61 3 9037 4755 (Vic)  
 E: sales@fusionqld.com.au  
 W: fusionqld.com.au

## TECHNICAL DATA | CAT 8 uPVC REDUCING COUPLING

Standards: Compatible with AS/NZS 1477 Pressure Pipe and AS/NZS 4765 Pressure Pipe Applications  
 Size Range: 200 x 150 mm - 375 x 300 mm  
 Materials: uPVC



Size mm	D0 mm	D1 mm	D2 mm	d0	d1	d2	d3	t	T	L	PN	Code
<b>200 x 150</b>	252.28	225.56	224.9	180.15	160.8	159.9	153.9	86.2	119.1	242.5	PN12	TRC200150
<b>225 x 200</b>	287.3	251.3	249.9	259	226.2	224.9	216.9	119.1	131.65	269.5	PN16	TRC225200
<b>250 x 200</b>	314.8	281.3	279.9	259.4	226.2	224.9	216.9	119.1	147	304.5	PN16	TRC250200
<b>250 x 225</b>	314.8	281.3	279.9	259.4	250.1	249.41	247	131.37	141.22	304.5	PN16	TRC250225
<b>300 x 150</b>	345	316.55	315.05	180.24	160.25	159.9	158.9	85.61	169.09	338.8	PN8	TRC300150
<b>300 x 200</b>	354.6	316.6	314.9	259.4	226.2	224.9	216.9	119.1	147	338	PN16	TRC300200

**Note:**

Installation should always be performed by a licensed operator. It is the responsibility of the installer to check that both the pipe(s) and fitting(s) that are installed are compatible, only compatible materials should be joined together. It is the responsibility of the licensed installer to check the PN and SDR ratings marked on the fitting(s) and ensure that the pipe is compatible. Correct installation procedures should always be followed.

The drawings, materials and specifications outlined are subject to change without notice due to the continuous improvements and development of our product range.

**FUSION QLD PTY LTD**

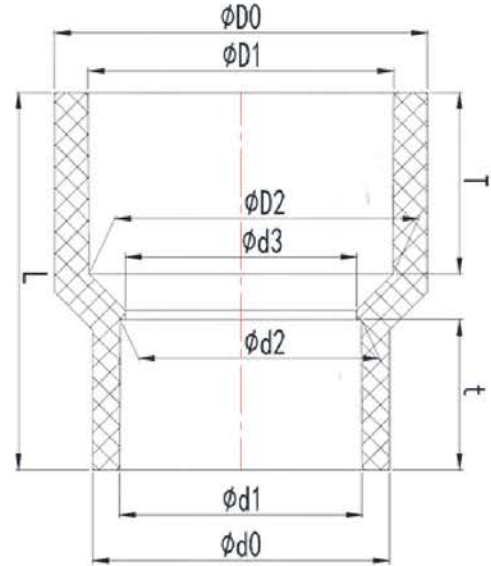
ABN: 42 987 067 369  
 13 Vision Court, Noosaville, QLD, 4566  
 42-44 South Link, Dandenong, VIC, 3175

**CONTACT**

T: +61 7 5474 3000 (Qld)  
 T: +61 3 9037 4755 (Vic)  
 E: sales@fusionqld.com.au  
 W: fusionqld.com.au

## TECHNICAL DATA | CAT 8 uPVC REDUCING COUPLING

Standards: Compatible with AS/NZS 1477 Pressure Pipe and AS/NZS 4765 Pressure Pipe Applications  
 Size Range: 200 x 150 mm - 375 x 300 mm  
 Materials: uPVC



Size mm	D0 mm	D1 mm	D2 mm	d0	d1	d2	d3	t	T	L	PN	Code
<b>300 x 225</b>	342.8	316.55	315.05	273.7	251.15	249.41	247	132	165	351	PN12	TRC300225
<b>300 x 250</b>	354.6	316.6	314.9	314.8	281.3	279.9	278	147	164.3	337	PN16	TRC300250
<b>375 x 200</b>	442	402	400	259.4	226.2	224.9	216.9	119.1	164.3	304.5	PN6	TRC375200
<b>375 x 225</b>	442	402	400	273.7	251.3	249.41	247	132	207	338	PN6	TRC375225
<b>375 x 300</b>	442	402	400	344	316.6	314.9	306.9	164.3	207	435	PN6	TRC375300

**Note:**

Installation should always be performed by a licensed operator. It is the responsibility of the installer to check that both the pipe(s) and fitting(s) that are installed are compatible, only compatible materials should be joined together. It is the responsibility of the licensed installer to check the PN and SDR ratings marked on the fitting(s) and ensure that the pipe is compatible. Correct installation procedures should always be followed.

The drawings, materials and specifications outlined are subject to change without notice due to the continuous improvements and development of our product range.

**FUSION QLD PTY LTD**

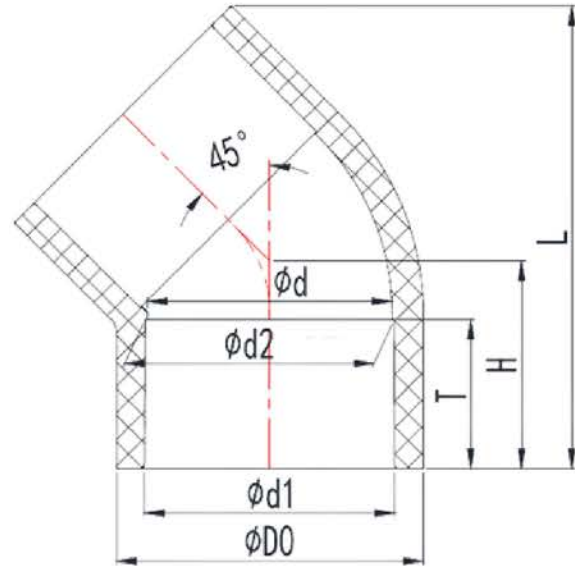
ABN: 42 987 067 369  
 13 Vision Court, Noosaville, QLD, 4566  
 42-44 South Link, Dandenong, VIC, 3175

**CONTACT**

T: +61 7 5474 3000 (Qld)  
 T: +61 3 9037 4755 (Vic)  
 E: sales@fusionqld.com.au  
 W: fusionqld.com.au

## TECHNICAL DATA | CAT 10 uPVC 45° ELBOW

Standards: Compatible with AS/NZS 1477 Pressure Pipe and AS/NZS 4765 Pressure Pipe Applications  
 Size Range: 200 mm - 375 mm  
 Materials: uPVC



Size mm	D0 mm	d1 mm	d2 mm	d	T	H	L	Pressure Rating	Code
200	254.6	226.2	224.9	216.9	119.1	175.7	391.5	PN12	TE45200
225	287.9	251.3	249.9	241.9	131.65	193.3	432.2	PN16	TE45225
250	314.8	281.5	279.9	278	147	209.6	469.1	PN16	TE45250
300	358.2	316.7	314.9	306.9	164.3	242.8	541.2	PN16	TE45300
375	442	402	400	369.8	204.2	298.5	662.2	PN6	TE45375

**Note:**

Installation should always be performed by a licensed operator. It is the responsibility of the installer to check that both the pipe(s) and fitting(s) that are installed are compatible, only compatible materials should be joined together. It is the responsibility of the licensed installer to check the PN and SDR ratings marked on the fitting(s) and ensure that the pipe is compatible. Correct installation procedures should always be followed.

The drawings, materials and specifications outlined are subject to change without notice due to the continuous improvements and development of our product range.

**FUSION QLD PTY LTD**

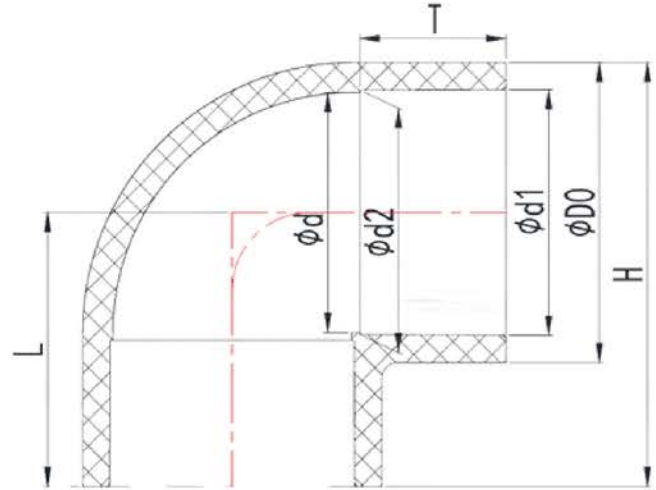
ABN: 42 987 067 369  
 13 Vision Court, Noosaville, QLD, 4566  
 42-44 South Link, Dandenong, VIC, 3175

**CONTACT**

T: +61 7 5474 3000 (Qld)  
 T: +61 3 9037 4755 (Vic)  
 E: sales@fusionqld.com.au  
 W: fusionqld.com.au

## TECHNICAL DATA | CAT 13 uPVC 90° eLBOW

Standards: Compatible with AS/NZS 1477 Pressure Pipe and AS/NZS 4765 Pressure Pipe Applications  
 Size Range: 200 mm - 375 mm  
 Materials: uPVC



Size mm	D0 mm	d1 mm	d2 mm	d	T	H	L	Pressure Rating	Code
200	254.6	226.2	224.9	216.9	119.1	360.9	233.6	PN12	TE90200
225	287.9	251.3	249.9	241.9	131.65	402.5	258.5	PN16	TE90225
250	314.8	281.5	279.9	278	147	448.4	291	PN16	TE90250
300	358.2	316.7	314.9	306.9	164.3	502.1	323	PN16	TE90300
375	442	402	400	369.8	204.2	629.4	413	PN6	TE90375

**Note:**

Installation should always be performed by a licensed operator. It is the responsibility of the installer to check that both the pipe(s) and fitting(s) that are installed are compatible, only compatible materials should be joined together. It is the responsibility of the licensed installer to check the PN and SDR ratings marked on the fitting(s) and ensure that the pipe is compatible. Correct installation procedures should always be followed.

The drawings, materials and specifications outlined are subject to change without notice due to the continuous improvements and development of our product range.

**FUSION QLD PTY LTD**

ABN: 42 987 067 369  
 13 Vision Court, Noosaville, QLD, 4566  
 42-44 South Link, Dandenong, VIC, 3175

**CONTACT**

T: +61 7 5474 3000 (Qld)  
 T: +61 3 9037 4755 (Vic)  
 E: sales@fusionqld.com.au  
 W: fusionqld.com.au

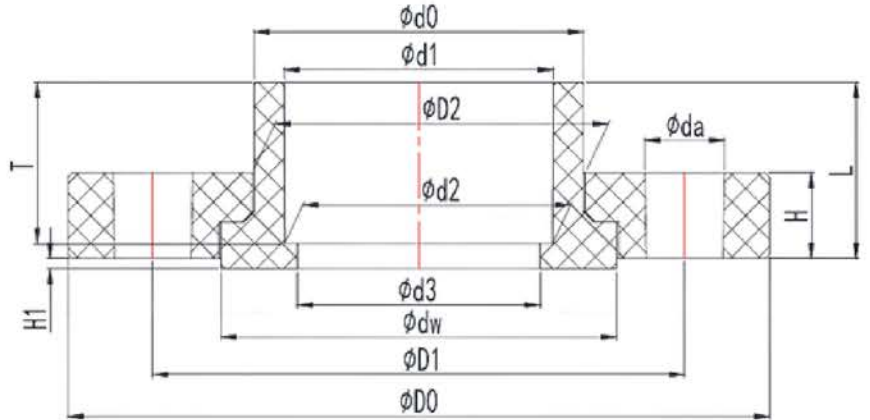


## TECHNICAL DATA | uPVC VAN STONE FLANGE

Standards: Compatible with AS/NZS 1477 Pressure Pipe and AS/NZS 4765 Pressure Pipe Applications

Size Range: 200 mm - 375 mm

Materials: uPVC



Size mm	D0 mm	D1 mm	D2 mm	d0	d1	d2	d3	dw	da	T	H1	H	L	PN	Code
150	285	240	186.3	184.3	160.8	159.9	151	204	22	86.2	3	32	92.2	16	TFLR150G
200	340	295	256.1	254.1	226.2	224.9	216	271	22	119.1	3	38	127.7	9	TFLR200
225	395	350	283.3	281.3	251.3	249.9	239.5	310	22	131.65	3.5	40	138.2	9	TFLR225
250	398	351.5	308	305.5	281.5	280.15	272	325	22	147	10	35	159	9	TFLR250
300	445	400	356.6	354.6	316.7	314.9	302	373	22	167.7	5	44	175.7	9	TFLR300
375	570	500	444	442	402	400	369.8	453	24	204.2	40	44	226	9	TFLR375

**Note:**

Installation should always be performed by a licensed operator. It is the responsibility of the installer to check that both the pipe(s) and fitting(s) that are installed are compatible, only compatible materials should be joined together. It is the responsibility of the licensed installer to check the PN and SDR ratings marked on the fitting(s) and ensure that the pipe is compatible. Correct installation procedures should always be followed.

The drawings, materials and specifications outlined are subject to change without notice due to the continuous improvements and development of our product range.

**FUSION QLD PTY LTD**

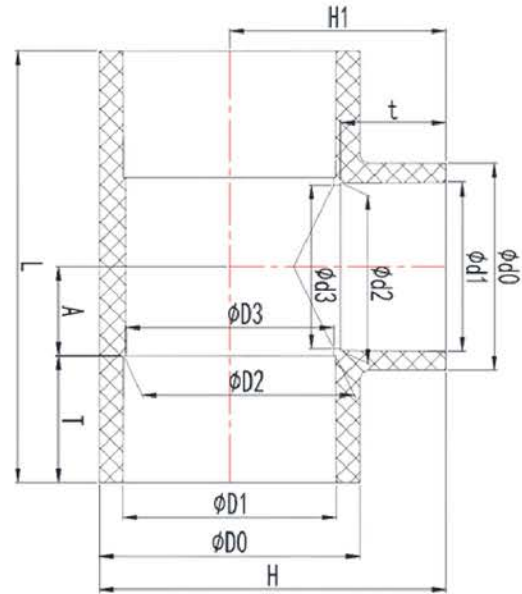
ABN: 42 987 067 369  
13 Vision Court, Noosaville, QLD, 4566  
42-44 South Link, Dandenong, VIC, 3175

**CONTACT**

T: +61 7 5474 3000 (Qld)  
T: +61 3 9037 4755 (Vic)  
E: sales@fusionqld.com.au  
W: fusionqld.com.au

## TECHNICAL DATA | CAT 19 uPVC REDUCING TEE

Standards: Compatible with AS/NZS 1477 Pressure Pipe and AS/NZS 4765 Pressure Pipe Applications  
 Size Range: 200 mm - 375 mm  
 Materials: uPVC



Size mm	D0 mm	D1 mm	D2 mm	D3	d0	d1	d2	d3	T	t	H1	H	L	PN	Code
200 x 150	254.6	226.2	224.9	216.9	180.15	160.8	159.9	153.9	119.1	86.2	209.7	337	403	PN12	TTR200150
225 x 150	281.1	251.3	249.9	241.9	184.6	160.8	159.9	153.9	132	86.2	211.8	352.35	429.5	PN16	TTR225150
225 x 200	287.9	251.3	249.9	241.9	259.4	226.2	224.9	218.9	132	119.1	254	397.95	429.5	PN16	TTR225200
250 x 200	314.8	281.5	279.9	278	259.4	226.2	224.9	218.9	147	132	276	433.4	526.5	PN16	TTR250200
250 x 225	314.8	281.46	280.16	278	280	251.15	249.1	247	247	132	147	276	433.4	PN12	TTR250225
300 x 150	344.5	316.55	315.05	312	178.6	160.62	159.87	158	87	165	248.5	420.75	498	PN16	TTR300150
300 x 200	354.7	316.7	314.9	306.9	259.4	226.2	224.9	220.9	164.3	119.1	269.2	446.55	600.1	PN16	TTR300200
300 x 225	354.7	316.7	314.9	306.9	288.6	251.3	249.9	241.9	164.3	132	282	459.35	644	PN16	TTR300225
300 x 250	354.7	316.7	314.9	306.9	314.5	281.5	279.9	278	164.3	147	321.5	517	647	PN16	TTR300250
375 x 200	432.4	401.6	400	398.5	259.4	226.2	224.9	220.9	132	208	370	586.35	672	PN6	TTR375200
375 x 225	432.4	401.6	400	398.5	273.5	251.15	249.15	247	132	208	370	586.35	752	PN6	TTR375225
375 x 300	432.7	401.6	400	398.5	344.5	316.55	315.05	312	165	208	370	586.35	752	PN6	TTR375300

**Note:**

Installation should always be performed by a licensed operator. It is the responsibility of the installer to check that both the pipe(s) and fitting(s) that are installed are compatible, only compatible materials should be joined together. It is the responsibility of the licensed installer to check the PN and SDR ratings marked on the fitting(s) and ensure that the pipe is compatible. Correct installation procedures should always be followed.

The drawings, materials and specifications outlined are subject to change without notice due to the continuous improvements and development of our product range.

**FUSION QLD PTY LTD**

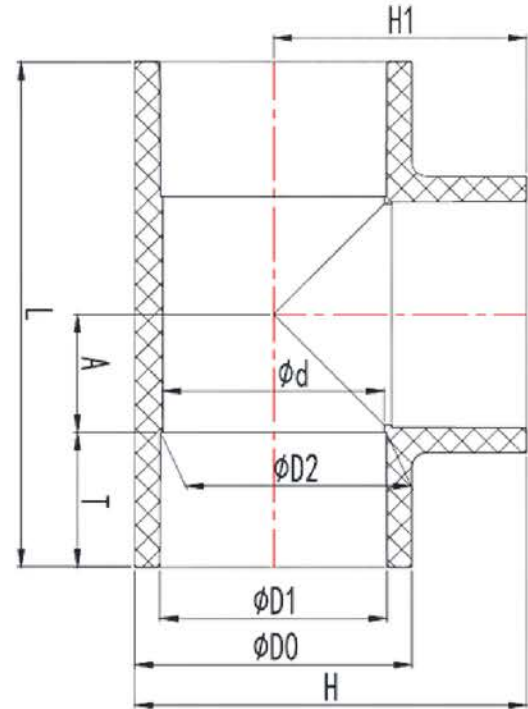
ABN: 42 987 067 369  
 13 Vision Court, Noosaville, QLD, 4566  
 42-44 South Link, Dandenong, VIC, 3175

**CONTACT**

T: +61 7 5474 3000 (Qld)  
 T: +61 3 9037 4755 (Vic)  
 E: sales@fusionqld.com.au  
 W: fusionqld.com.au

## TECHNICAL DATA | CAT 19 uPVC TEE

Standards: Compatible with AS/NZS 1477 Pressure Pipe and AS/NZS 4765 Pressure Pipe Applications  
 Size Range: 200 mm - 300 mm  
 Materials: uPVC



Size mm	D0 mm	D1 mm	D2 mm	d	T	L	H1	H	Pressure Rating	Code
200	254.6	226.2	224.9	216.9	119.1	463.5	233.5	360.8	PN12	TT200
225	287.9	251.3	249.9	241.9	131.65	516	258.5	402.45	PN16	TT225
250	314.8	281.5	279.9	278	147	581.5	291	448.4	PN16	TT250
300	358.2	316.7	314.9	306.9	164.3	645	323	502.1	PN6	TT300
375	442	402	400	369.8	204.2	825	413	634	PN6	TT375

**Note:**

Installation should always be performed by a licensed operator. It is the responsibility of the installer to check that both the pipe(s) and fitting(s) that are installed are compatible, only compatible materials should be joined together. It is the responsibility of the licensed installer to check the PN and SDR ratings marked on the fitting(s) and ensure that the pipe is compatible. Correct installation procedures should always be followed.

The drawings, materials and specifications outlined are subject to change without notice due to the continuous improvements and development of our product range.

**FUSION QLD PTY LTD**

ABN: 42 987 067 369  
 13 Vision Court, Noosaville, QLD, 4566  
 42-44 South Link, Dandenong, VIC, 3175

**CONTACT**

T: +61 7 5474 3000 (Qld)  
 T: +61 3 9037 4755 (Vic)  
 E: sales@fusionqld.com.au  
 W: fusionqld.com.au