

SHOT SPIGOT FITTINGS TECHNICAL DATA



TECHNICAL DATA | STUB FLANGE SHORT SDR11

Standards: AS/NZS 4129 | SDR11

Size Range: 110 mm - 1000 mm

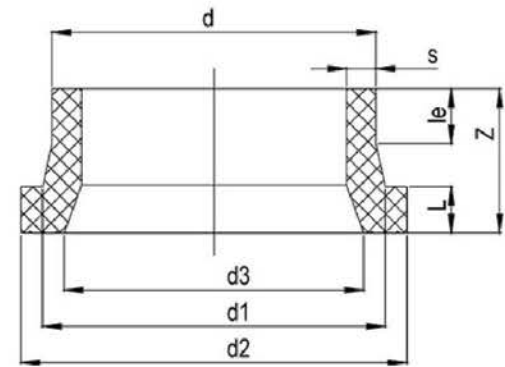
Materials: Polyethelyne (PE) 100

Pressure Rating: PN16, Water | 10 BAR, Gas

Fitting Details: Injected



d mm	d1 mm	d2 mm	d3 mm	le mm	L mm	Z mm	s mm	Code
110	103	128	89.4	22	20	60	10	BWSF11110
125	124	160	101.5	22	20	60	11.4	BWSF11125
140	128	192	113.9	23	25	65	12.7	BWSF11140
160	168	217	130	23	25	65	14.6	BWSF11160
180	180	217	146.3	23	25	65	16.4	BWSF11180
200	225	270	162.5	23.5	30	75	18.2	BWSF11200
225	230	270	182.9	24	30	80	20.5	BWSF11225
250	276.4	334	203.4	24.15	35	80	22.7	BWSF11250
280	290	334	227.8	25.33	35	85	25.4	BWSF11280
315	330	380	256.3	28.84	40	90	28.6	BWSF11315
355	364.1	444	288.8	30.44	40	100	32.2	BWSF11355
400	417.4	495	325.4	27.08	40	100	36.3	BWSF11400
450	470	545	366.1	30	60	110	40.9	BWSF11450
500	520	596	406.8	30	60	125	45.4	BWSF11500
560	582	657	455.8	30	60	130	50.7	BWSF11560
630	640	710	512.6	30	60	130	57.2	BWSF11630
710	735	800	577.6	30	60	130	64.5	BWSF11710
800	840	904	651.1	30	92	162	72.5	BWSF11800
900	944	1000	732.4	23	93	170	81.7	BWSF11900
1000	1052	1105	814.9	30	113	183	90.3	BWSF111000



Note:

Installation should always be performed by a licensed operator. It is the responsibility of the installer to check that both the pipe(s) and fitting(s) that are installed are compatible, only compatible materials should be joined together. It is the responsibility of the licensed installer to check the PN and SDR ratings marked on the fitting(s) and ensure that the pipe is compatible. Correct installation procedures should always be followed.

The drawings, materials and specifications outlined are subject to change without notice due to the continuous improvements and development of our product range.

FUSION QLD PTY LTD

ABN: 42 987 067 369
13 Vision Court, Noosaville, QLD, 4566
42-44 South Link, Dandenong, VIC, 3175

CONTACT

T: +61 7 5474 3000 (Qld)
T: +61 3 9037 4755 (Vic)
E: sales@fusionqld.com.au
W: fusionqld.com.au

TECHNICAL DATA | 45° ELBOW SHORT SDR11

Standards: AS/NZS 4129 | SDR11

Size Range: 450 mm - 630 mm

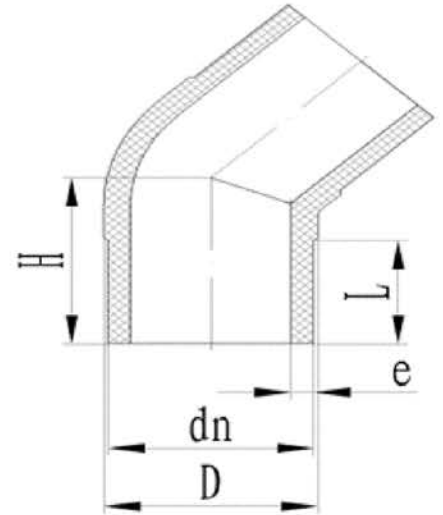
Materials: Polyethelyne (PE) 100

Pressure Rating: PN16, Water | 10 BAR, Gas

Fitting Details: Injected



size mm	dn mm	H mm	L mm	D mm	e mm	Weight kg	Code
450	458	227	110	468	40.9	27.7	BWEL1145450
500	508	238	110	519	45.40	35.5	BWEL1145500
560	561	247	110	569	50.8	42.1	BWEL1145560
630	630	270	110	650	57.2	67.9	BWEL1145630



Note:

Installation should always be performed by a licensed operator. It is the responsibility of the installer to check that both the pipe(s) and fitting(s) that are installed are compatible, only compatible materials should be joined together. It is the responsibility of the licensed installer to check the PN and SDR ratings marked on the fitting(s) and ensure that the pipe is compatible. Correct installation procedures should always be followed.

The drawings, materials and specifications outlined are subject to change without notice due to the continuous improvements and development of our product range.

FUSION QLD PTY LTD

ABN: 42 987 067 369
13 Vision Court, Noosaville, QLD, 4566
42-44 South Link, Dandenong, VIC, 3175

CONTACT

T: +61 7 5474 3000 (Qld)
T: +61 3 9037 4755 (Vic)
E: sales@fusionqld.com.au
W: fusionqld.com.au

TECHNICAL DATA | 90° ELBOW SHORT SDR11

Standards: AS/NZS 4129 | SDR11

Size Range: 450 mm - 630 mm

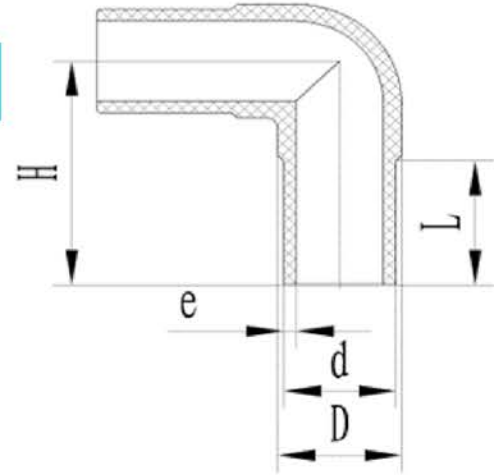
Materials: Polyethelyne (PE) 100

Pressure Rating: PN16, Water | 10 BAR, Gas

Fitting Details: Injected



size mm	dn mm	H mm	L mm	D mm	e mm	Weight kg	Code
450	458	379	110	468	40.9	42.9	BWEL1190450
500	508	405	110	519	45.4	55.8	BWEL1190500
560	561	439	110	579	50.8	73.5	BWEL1190560
630	630	480	110	656	57.2	115.8	BWEL1190630



Note:

Installation should always be performed by a licensed operator. It is the responsibility of the installer to check that both the pipe(s) and fitting(s) that are installed are compatible, only compatible materials should be joined together. It is the responsibility of the licensed installer to check the PN and SDR ratings marked on the fitting(s) and ensure that the pipe is compatible. Correct installation procedures should always be followed.

The drawings, materials and specifications outlined are subject to change without notice due to the continuous improvements and development of our product range.

FUSION QLD PTY LTD

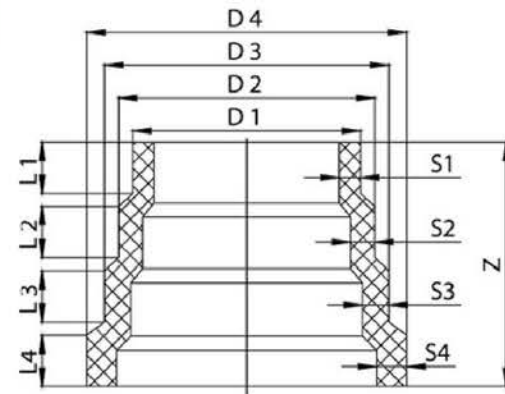
ABN: 42 987 067 369
13 Vision Court, Noosaville, QLD, 4566
42-44 South Link, Dandenong, VIC, 3175

CONTACT

T: +61 7 5474 3000 (Qld)
T: +61 3 9037 4755 (Vic)
E: sales@fusionqld.com.au
W: fusionqld.com.au

TECHNICAL DATA | MULTI REDUCER SHORT SDR11

Standards:	AS/NZS 4129 SDR11
Size Range:	225mm - 630mm
Materials:	Polyethelyne (PE) 100
Pressure Rating:	PN16, Water 10 BAR, Gas
Fitting Details:	Injected



D4 mm	D1 mm	D3 mm	D2 mm	L1 mm	L2 mm	L3 mm	L4 mm	Z mm	Weight kg	Code
225	160	200	180	36	36	36	36	171	1.730	BWRM11225160
315	225	280	250	36	36	36	36	171	3.800	BWRM11315225
450	315	400	355	36	36	36	52	176	8.515	BWRM11450315
630	450	560	500	36	36	36	72	200	19.740	BWRM11630450

Note:

Installation should always be performed by a licensed operator. It is the responsibility of the installer to check that both the pipe(s) and fitting(s) that are installed are compatible, only compatible materials should be joined together. It is the responsibility of the licensed installer to check the PN and SDR ratings marked on the fitting(s) and ensure that the pipe is compatible. Correct installation procedures should always be followed.

The drawings, materials and specifications outlined are subject to change without notice due to the continuous improvements and development of our product range.

FUSION QLD PTY LTD

ABN: 42 987 067 369
13 Vision Court, Noosaville, QLD, 4566
42-44 South Link, Dandenong, VIC, 3175

CONTACT

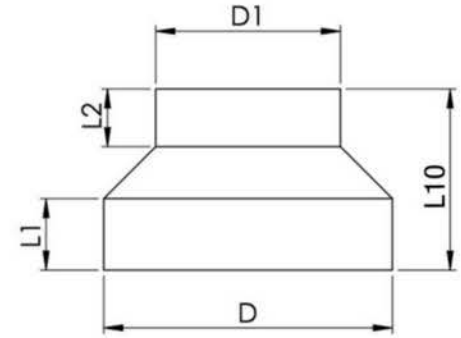
T: +61 7 5474 3000 (Qld)
T: +61 3 9037 4755 (Vic)
E: sales@fusionqld.com.au
W: fusionqld.com.au

TECHNICAL DATA | REDUCER SHORT SDR11

Standards: AS/NZS 4129 | SDR11
 Size Range: 90mm x 50mm - 630mm x 560mm
 Materials: Polyethelyne (PE) 100
 Pressure Rating: PN16, Water | 10 BAR, Gas



D mm	d1 mm	L10 mm	L1 mm	L2 mm	Weight kg	Code
90	50	73	26	22	0.1	BWR119050
90	63	71	29	24	0.1	BWR119063
90	75	80	33	33	0.16	BWR119075
110	50	90	40	29	0.2	BWR1111050
110	63	105	40	36	0.25	BWR1111063
110	75	90	34	35	0.3	BWR1111075
110	90	104	40	41	0.29	BWR1111090
125	63	100	40	34	0.3	BWR1112563
125	75	98	32	19	0.31	BWR1112575
125	90	110	42	41	0.37	BWR1112590
125	110	100	40	48	0.4	BWR11125110
140	75	110	49	37	0.5	BWR1114075
140	90	126	45	28	0.4	BWR1114090
140	110	126	45	34	0.5	BWR11140110
140	125	128	45	42	0.6	BWR11140125
160	90	120	53	37	0.7	BWR1116090
160	110	125	50	39	0.7	BWR11160110
160	125	120	54	45	0.7	BWR11160125
160	140	98	44	43	0.8	BWR11160140
180	90	130	59	37	1	BWR1118090
180	110	130	60	40	1	BWR11180110
180	125	152	62	42	1.1	BWR11180125
180	140	135	51	47	1.02	BWR11180140
180	160	131	60	55	1.2	BWR11180160



The drawings, materials and specifications outlined are subject to change without notice due to the continuous improvements and development of our product range.

FUSION QLD PTY LTD

ABN: 42 987 067 369
 13 Vision Court, Noosaville, QLD, 4566
 42-44 South Link, Dandenong, VIC, 3175

CONTACT

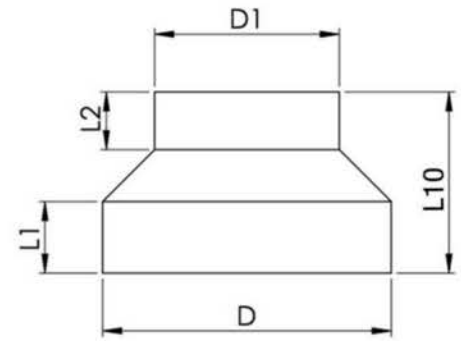
T: +61 7 5474 3000 (Qld)
 T: +61 3 9037 4755 (Vic)
 E: sales@fusionqld.com.au
 W: fusionqld.com.au

TECHNICAL DATA | REDUCER SHORT SDR11

Standards: AS/NZS 4129 | SDR11
 Size Range: 90mm x 50mm - 630mm x 560mm
 Materials: Polyethylene (PE) 100
 Pressure Rating: PN16, Water | 10 BAR, Gas



D mm	d1 mm	L10 mm	L1 mm	L2 mm	Weight kg	Code
200	140	140	60	48	1.3	BWR11200140
200	160	140	60	54	1.5	BWR11200160
200	180	140	60	61	1.4	BWR11200180
225	140	160	65	57	1.8	BWR11225140
225	160	190	65	50	2	BWR11225160
225	180	190	65	55	2.1	BWR11225180
225	200	160	71	71	1.9	BWR11225200
250	160	157	55	55	2.12	BWR11250160
250	180	150	62	50	2.36	BWR11250180
250	200	138	60	50	2.28	BWR11250200
250	225	142	50	68	2.17	BWR11250225
280	180	200	85	70	3.2	BWR11280180
280	200	160	72	51	2.83	BWR11280200
280	225	154	72	57	2.79	BWR11280225
280	250	150	71	64	2.87	BWR11280250
315	255	184	82	57	4.02	BWR11315225
315	250	178	81	62	4.06	BWR11315250
315	280	175	79	72	4.15	BWR11315280
355	225	213	92	57	5.24	BWR11355225
355	250	195	87	62	5.27	BWR11355250
355	280	200	87	77	5.82	BWR11355280
355	315	188	88	78	5.73	BWR11355315



The drawings, materials and specifications outlined are subject to change without notice due to the continuous improvements and development of our product range.

FUSION QLD PTY LTD

ABN: 42 987 067 369
 13 Vision Court, Noosaville, QLD, 4566
 42-44 South Link, Dandenong, VIC, 3175

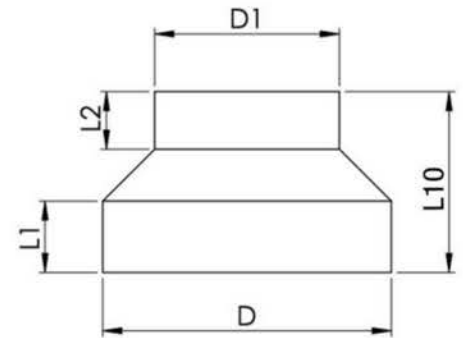
CONTACT

T: +61 7 5474 3000 (Qld)
 T: +61 3 9037 4755 (Vic)
 E: sales@fusionqld.com.au
 W: fusionqld.com.au

TECHNICAL DATA | REDUCER SHORT SDR11

Standards: AS/NZS 4129 | SDR11
 Size Range: 90mm x 50mm - 630mm x 560mm
 Materials: Polyethylene (PE) 100
 Pressure Rating: PN16, Water | 10 BAR, Gas

D mm	d1 mm	L10 mm	L1 mm	L2 mm	Weight kg	Code
400	280	226	96	73	7.79	BWR11400280
400	315	218	97	83	7.94	BWR11400315
400	355	208	97	92	8.02	BWR11400355
450	315	206	64	76	7.8	BWR11450315
450	355	203	64	92	9.04	BWR11450355
450	400	188	64	99	9.13	BWR11450400
500	355	210	62	81	11.7	BWR11500335
500	400	210	63	96	11.54	BWR11500400
500	450	166	63	81	11.7	BWR11500450
560	400	240	60	98	15.08	BWR11560400
560	450	187	60	65	13.24	BWR11560450
560	500	192	62	61	12.34	BWR11560500
630	400	190	78	40	18.2	BWR11630400
630	450	234	60	68	19.57	BWR11630450
630	500	192	62	61	18.12	BWR11630500
630	560	188	64	65	17.34	BWR11630560



Note:

Installation should always be performed by a licensed operator. It is the responsibility of the installer to check that both the pipe(s) and fitting(s) that are installed are compatible, only compatible materials should be joined together. It is the responsibility of the licensed installer to check the PN and SDR ratings marked on the fitting(s) and ensure that the pipe is compatible. Correct installation procedures should always be followed.

The drawings, materials and specifications outlined are subject to change without notice due to the continuous improvements and development of our product range.

FUSION QLD PTY LTD

ABN: 42 987 067 369
 13 Vision Court, Noosaville, QLD, 4566
 42-44 South Link, Dandenong, VIC, 3175

CONTACT

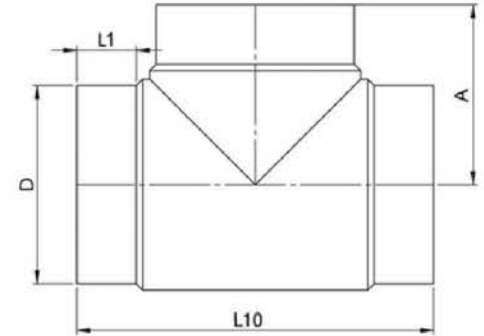
T: +61 7 5474 3000 (Qld)
 T: +61 3 9037 4755 (Vic)
 E: sales@fusionqld.com.au
 W: fusionqld.com.au

TECHNICAL DATA | TEE SHORT SDR11

Standards:	AS/NZS 4129 SDR11
Size Range:	450mm - 630mm
Materials:	Polyethelyne (PE) 100
Pressure Rating:	PN16, Water 10 BAR, Gas
Fitting Details:	Injected



D mm	L10 mm	L1 mm	A mm	Weight kg	Code
450	732	100	366	39.4	BT11450
500	855	130	427.5	58.2	BT11500
560	865	100	432.5	67.5	BT11560
630	1020	130	510	104.2	BT11630



Note:

Installation should always be performed by a licensed operator. It is the responsibility of the installer to check that both the pipe(s) and fitting(s) that are installed are compatible, only compatible materials should be joined together. It is the responsibility of the licensed installer to check the PN and SDR ratings marked on the fitting(s) and ensure that the pipe is compatible. Correct installation procedures should always be followed.

The drawings, materials and specifications outlined are subject to change without notice due to the continuous improvements and development of our product range.

FUSION QLD PTY LTD

ABN: 42 987 067 369
13 Vision Court, Noosaville, QLD, 4566
42-44 South Link, Dandenong, VIC, 3175

CONTACT

T: +61 7 5474 3000 (Qld)
T: +61 3 9037 4755 (Vic)
E: sales@fusionqld.com.au
W: fusionqld.com.au

TECHNICAL DATA | END CAP SHORT SDR11

Standards: AS/NZS 4129 | SDR11

Size Range: 315mm - 630mm

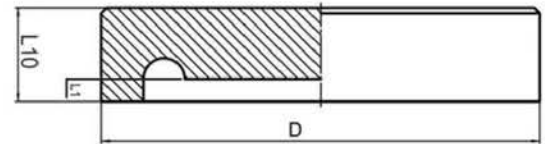
Materials: Polyethelyne (PE) 100

Pressure Rating: PN16, Water | 10 BAR, Gas

Fitting Details: Injected



D mm	L10 mm	L1 mm	Weight kg	Code
315	75	20	4.4	BWCAP11315
355	85	20	6.5	BWCAP11355
400	90	20	8.8	BWCAP11400
450	100	20	12.6	BWCAP11450
500	110	20	17.3	BWCAP11500
560	120	20	24	BWCAP11560
630	140	30	48.8	BWCAP11630



Note:

Installation should always be performed by a licensed operator. It is the responsibility of the installer to check that both the pipe(s) and fitting(s) that are installed are compatible, only compatible materials should be joined together. It is the responsibility of the licensed installer to check the PN and SDR ratings marked on the fitting(s) and ensure that the pipe is compatible. Correct installation procedures should always be followed.

The drawings, materials and specifications outlined are subject to change without notice due to the continuous improvements and development of our product range.

FUSION QLD PTY LTD

ABN: 42 987 067 369
13 Vision Court, Noosaville, QLD, 4566
42-44 South Link, Dandenong, VIC, 3175

CONTACT

T: +61 7 5474 3000 (Qld)
T: +61 3 9037 4755 (Vic)
E: sales@fusionqld.com.au
W: fusionqld.com.au

TECHNICAL DATA | VALVE SPACER SDR11

Standards: AS/NZS 4129 | SDR11

Size Range: 110mm - 630mm

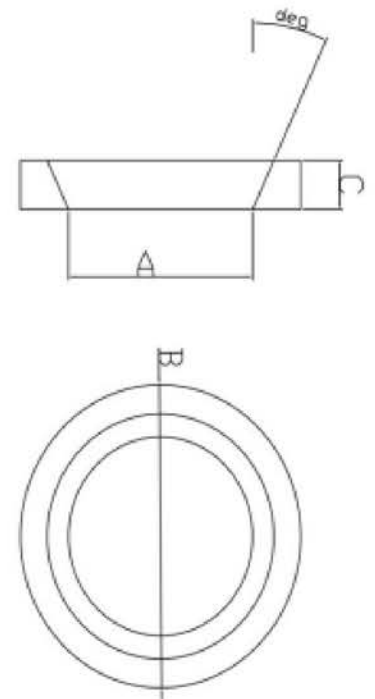
Materials: Polyethelyne (PE) 100

Pressure Rating: PN16, Water | 10 BAR, Gas

Fitting Details: Injected



size mm	A mm	B mm	C mm	Deg °	Code
110	90	158	14	20	BWVS11110
125	102	190	25	25	BWVS11125
140	114.6	188	25	20	BWVS11140
160	130.8	212	25	25	BWVS11160
200	163.6	268	40	30	BWVS11200
225	184	268	25	25	BWVS11225
250	203	334	50	30	BWVS11250
280	228	334	30	30	BWVS11280
315	257.8	384	60	30	BWVS11315
355	290.6	430	60	30	BWVS11355
400	327.4	482	80	30	BWVS11400
450	368.2	545	100	25	BWVS11450
500	409.2	585	100	25	BWVS11500
630	513	708	100	20	BWVS11630



Note:

Installation should always be performed by a licensed operator. It is the responsibility of the installer to check that both the pipe(s) and fitting(s) that are installed are compatible, only compatible materials should be joined together. It is the responsibility of the licensed installer to check the PN and SDR ratings marked on the fitting(s) and ensure that the pipe is compatible. Correct installation procedures should always be followed.

The drawings, materials and specifications outlined are subject to change without notice due to the continuous improvements and development of our product range.

FUSION QLD PTY LTD

ABN: 42 987 067 369
13 Vision Court, Noosaville, QLD, 4566
42-44 South Link, Dandenong, VIC, 3175

CONTACT

T: +61 7 5474 3000 (Qld)
T: +61 3 9037 4755 (Vic)
E: sales@fusionqld.com.au
W: fusionqld.com.au

TECHNICAL DATA | STUB FLANGE SHORT SDR17

Standards: AS/NZS 4129 | SDR17

Size Range: 90 mm - 1000 mm

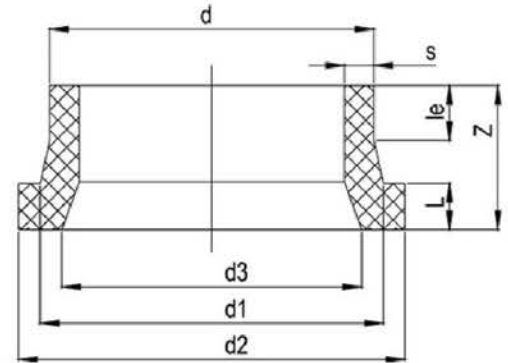
Materials: Polyethelyne (PE) 100

Pressure Rating: SDR17: PN10, Water | 5 BAR, Gas

Fitting Details: Injection moulded



d mm	d1 mm	d2 mm	d3 mm	le mm	L mm	Z mm	s mm	Code
90	103	128	78	22	20	60	5.4	BWSF1790
110	124	160	96	22	20	60	6.6	BWSF17110
125	128	192	110	23	25	65	7.4	BWSF17125
160	168	217	140	23	25	65	9.5	BWSF17160
180	180	217	158	23	25	65	10.7	BWSF17180
200	225	270	175	23.5	30	75	11.9	BWSF17200
225	230	270	198	24	30	80	13.4	BWSF17225
250	276.5	334	219	24.15	35	80	14.8	BWSF17250
280	290	334	246	25.33	35	85	16.4	BWSF17280
315	330	380	278	28.84	40	90	18.7	BWSF17315
355	364.1	444	311	30.44	40	100	21.1	BWSF17355
400	417.4	495	351	27.08	40	100	23.7	BWSF17400
450	470	545	395	30	60	110	26.7	BWSF17450
500	520	596	440	30	60	125	29.6	BWSF17500
560	582	657	494	30	60	130	33.2	BWSF17560
630	640	710	554	30	60	130	37.3	BWSF17630
710	735	800	624	30	60	130	42.1	BWSF17710
800	840	904	704	30	92	162	47.4	BWSF17800
900	944	1000	791	23	93	170	53.5	BWSF17900
1000	1052	1105	880	30	113	183	59.3	BWSF171000



Note:

Installation should always be performed by a licensed operator. It is the responsibility of the installer to check that both the pipe(s) and fitting(s) that are installed are compatible, only compatible materials should be joined together. It is the responsibility of the licensed installer to check the PN and SDR ratings marked on the fitting(s) and ensure that the pipe is compatible. Correct installation procedures should always be followed.

The drawings, materials and specifications outlined are subject to change without notice due to the continuous improvements and development of our product range.

FUSION QLD PTY LTD

ABN: 42 987 067 369
13 Vision Court, Noosaville, QLD, 4566
42-44 South Link, Dandenong, VIC, 3175

CONTACT

T: +61 7 5474 3000 (Qld)
T: +61 3 9037 4755 (Vic)
E: sales@fusionqld.com.au
W: fusionqld.com.au

TECHNICAL DATA | 45° ELBOW SHORT SDR17

Standards: AS/NZS 4129 | SDR17

Size Range: 450 mm - 630 mm

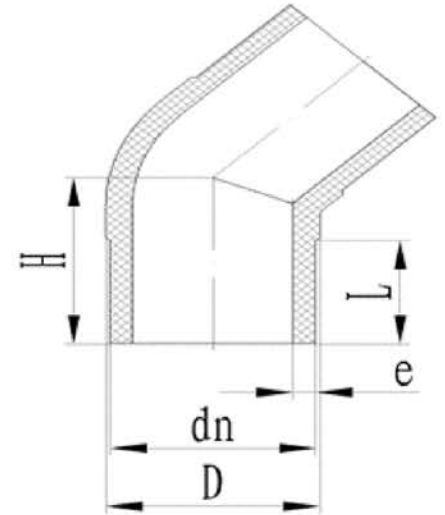
Materials: Polyethylene (PE) 100

Pressure Rating: PN10, Water | 5 BAR, Gas

Fitting Details: Injected



size mm	dn mm	H mm	L mm	D mm	e mm	Weight kg	Code
450	458	227	110	468	26.7	20	BWEL1745430
500	508	238	110	519	29.6	25.6	BWEL1745500
560	561	247	110	569	33.2	29.3	BWEL1745560
630	630	270	110	650	37.3	51.3	BWEL1745630



Note:

Installation should always be performed by a licensed operator. It is the responsibility of the installer to check that both the pipe(s) and fitting(s) that are installed are compatible, only compatible materials should be joined together. It is the responsibility of the licensed installer to check the PN and SDR ratings marked on the fitting(s) and ensure that the pipe is compatible. Correct installation procedures should always be followed.

The drawings, materials and specifications outlined are subject to change without notice due to the continuous improvements and development of our product range.

FUSION QLD PTY LTD

ABN: 42 987 067 369
13 Vision Court, Noosaville, QLD, 4566
42-44 South Link, Dandenong, VIC, 3175

CONTACT

T: +61 7 5474 3000 (Qld)
T: +61 3 9037 4755 (Vic)
E: sales@fusionqld.com.au
W: fusionqld.com.au

TECHNICAL DATA | 90° ELBOW SHORT SDR17

Standards: AS/NZS 4129 | SDR17

Size Range: 450 mm - 630 mm

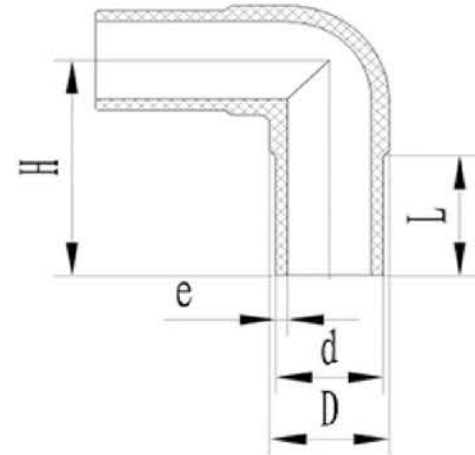
Materials: Polyethelyne (PE) 100

Pressure Rating: PN10, Water | 5 BAR, Gas

Fitting Details: Injected



size mm	dn mm	H mm	L mm	D mm	e mm	Weight kg	Code
450	458	379	110	468	26.7	31.9	BWEL1790450
500	508	405	110	519	29.6	41.5	BWEL1790500
560	561	439	110	579	33.2	54.1	BWEL1790560
630	630	480	110	656	37.3	90.6	BWEL1790630



Note:

Installation should always be performed by a licensed operator. It is the responsibility of the installer to check that both the pipe(s) and fitting(s) that are installed are compatible, only compatible materials should be joined together. It is the responsibility of the licensed installer to check the PN and SDR ratings marked on the fitting(s) and ensure that the pipe is compatible. Correct installation procedures should always be followed.

The drawings, materials and specifications outlined are subject to change without notice due to the continuous improvements and development of our product range.

FUSION QLD PTY LTD

ABN: 42 987 067 369
13 Vision Court, Noosaville, QLD, 4566
42-44 South Link, Dandenong, VIC, 3175

CONTACT

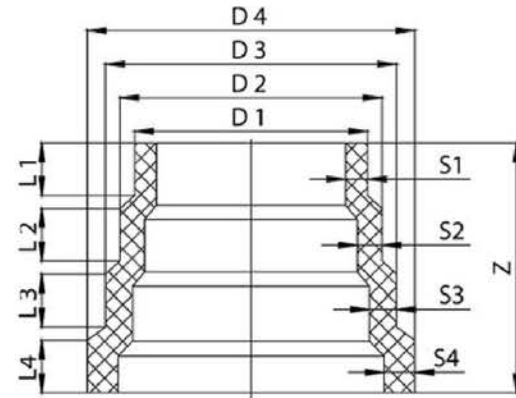
T: +61 7 5474 3000 (Qld)
T: +61 3 9037 4755 (Vic)
E: sales@fusionqld.com.au
W: fusionqld.com.au

TECHNICAL DATA | MULTI REDUCER SHORT SDR17

Standards:	AS/NZS 4129 SDR17
Size Range:	225mm - 630mm
Materials:	Polyethelyne (PE) 100
Pressure Rating:	PN10, Water 5 BAR, Gas
Fitting Details:	Injected



D4 mm	D1 mm	D3 mm	D2 mm	L1 mm	L2 mm	L3 mm	L4 mm	Z mm	Weight kg	Code
225	160	200	180	36	36	36	36	171	1.245	BWRM17225160
315	225	280	250	36	36	36	36	171	2.510	BWRM17315225
450	315	400	355	36	36	36	52	180	5.930	BWRM17450315
630	450	560	500	36	36	36	72	208	13.895	BWRM17630450



Note:

Installation should always be performed by a licensed operator. It is the responsibility of the installer to check that both the pipe(s) and fitting(s) that are installed are compatible, only compatible materials should be joined together. It is the responsibility of the licensed installer to check the PN and SDR ratings marked on the fitting(s) and ensure that the pipe is compatible. Correct installation procedures should always be followed.

The drawings, materials and specifications outlined are subject to change without notice due to the continuous improvements and development of our product range.

FUSION QLD PTY LTD

ABN: 42 987 067 369
13 Vision Court, Noosaville, QLD, 4566
42-44 South Link, Dandenong, VIC, 3175

CONTACT

T: +61 7 5474 3000 (Qld)
T: +61 3 9037 4755 (Vic)
E: sales@fusionqld.com.au
W: fusionqld.com.au

TECHNICAL DATA | END CAP SHORT SDR17

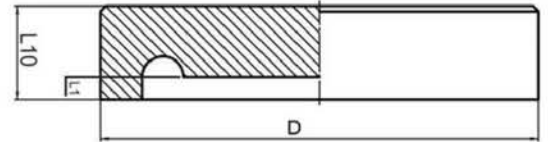
Standards: AS/NZS 4129 | SDR17

Size Range: 355mm - 800mm

Materials: Polyethelyne (PE) 100

Pressure Rating: PN10, Water | 5 BAR, Gas

Fitting Details: Injected



D mm	L10 mm	L1 mm	Weight kg	Code
355	75	20	5.4	BWCAP17355
400	80	20	7.4	BWCAP17400
450	90	20	10.9	BWCAP17450
500	95	20	14.3	BWCAP17500
560	105	20	20.1	BWCAP17560
630	125	30	28.9	BWCAP17630

Note:

Installation should always be performed by a licensed operator. It is the responsibility of the installer to check that both the pipe(s) and fitting(s) that are installed are compatible, only compatible materials should be joined together. It is the responsibility of the licensed installer to check the PN and SDR ratings marked on the fitting(s) and ensure that the pipe is compatible. Correct installation procedures should always be followed.

The drawings, materials and specifications outlined are subject to change without notice due to the continuous improvements and development of our product range.

FUSION QLD PTY LTD

ABN: 42 987 067 369
13 Vision Court, Noosaville, QLD, 4566
42-44 South Link, Dandenong, VIC, 3175

CONTACT

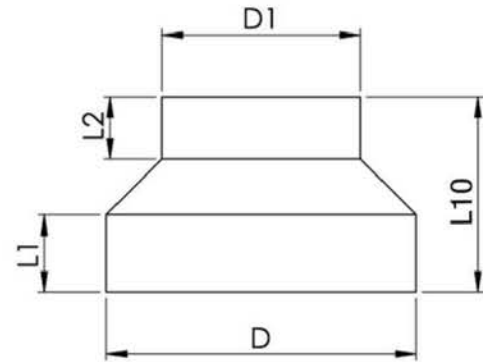
T: +61 7 5474 3000 (Qld)
T: +61 3 9037 4755 (Vic)
E: sales@fusionqld.com.au
W: fusionqld.com.au

TECHNICAL DATA | REDUCER SHORT SDR17

Standards: AS/NZS 4129 | SDR17
 Size Range: 75 x 63mm - 630 x 560mm
 Materials: Polyethylene (PE) 100
 Pressure Rating: PN10, Water | 5 BAR, Gas



D mm	d1 mm	L10 mm	L1 mm	L2 mm	Weight kg	Code
75	63	70	29	31	0.1	BWR177563
90	63	71	29	24	0.1	BWR179063
90	75	80	33	33	0.1	BWR179075
110	63	91	42	23	0.2	BWR1711063
110	75	90	34	35	0.2	BWR1711075
110	90	88	40	28	0.2	BWR1711090
125	63	100	40	34	0.2	BWR1712563
125	75	103	48	31	0.3	BWR1712575
125	90	100	38	30	0.3	BWR1712590
125	110	100	40	40	0.28	BWR17125110
140	75	110	49	37	0.3	BWR1714075
140	90	126	45	28	0.3	BWR1714090
140	110	126	45	34	0.3	BWR17140110
140	125	128	45	42	0.4	BWR17140125
160	90	120	53	37	0.5	BWR1716090
160	110	125	50	39	0.5	BWR17160110
160	125	120	54	45	0.5	BWR17160125
160	140	98	44	43	0.6	BWR17160140
180	90	130	59	37	0.7	BWR1718090
180	110	130	60	40	0.8	BWR17180110
180	125	143	52	40	0.71	BWR17180125
180	140	135	51	47	0.67	BWR17180140
180	160	140	60	50	0.75	BWR17180160



The drawings, materials and specifications outlined are subject to change without notice due to the continuous improvements and development of our product range.

FUSION QLD PTY LTD

ABN: 42 987 067 369
 13 Vision Court, Noosaville, QLD, 4566
 42-44 South Link, Dandenong, VIC, 3175

CONTACT

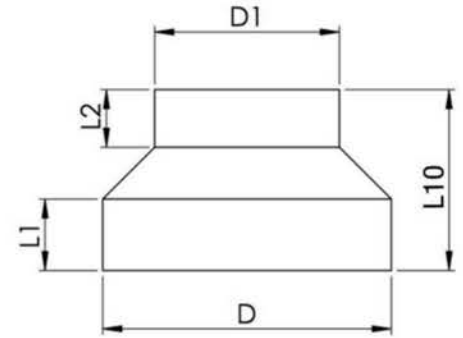
T: +61 7 5474 3000 (Qld)
 T: +61 3 9037 4755 (Vic)
 E: sales@fusionqld.com.au
 W: fusionqld.com.au

TECHNICAL DATA | REDUCER SHORT SDR17

Standards: AS/NZS 4129 | SDR17
 Size Range: 75 x 63mm - 630 x 560mm
 Materials: Polyethylene (PE) 100
 Pressure Rating: PN10, Water | 5 BAR, Gas



D mm	d1 mm	L10 mm	L1 mm	L2 mm	Weight kg	Code
200	140	140	60	48	0.9	BWR17200140
200	160	140	60	54	1	BWR17200160
200	180	145	62	54	0.97	BWR17200180
225	140	160	65	57	1.8	BWR17225140
225	160	190	65	50	1.4	BWR17225160
225	180	190	65	55	1.3	BWR17225180
225	200	149	62	52	1.21	BWR17225200
250	160	157	55	55	1.45	BWR17250160
250	180	150	62	50	1.95	BWR17250180
250	200	138	60	50	1.68	BWR17250200
250	225	142	50	68	1.66	BWR17250225
280	200	160	72	51	1.94	BWR17280200
280	225	154	72	57	1.95	BWR17280225
280	250	150	71	64	2	BWR17280250
315	200	231	95	85	3.1	BWR17315200
315	225	184	82	57	2.85	BWR17315225
315	250	178	81	62	4.06	BWR17315250
315	280	175	79	72	2.84	BWR17315280
355	225	213	92	57	3.73	BWR17355225
355	250	195	87	62	3.85	BWR17355250
355	280	200	87	77	3.96	BWR17355280
355	315	188	88	78	3.99	BWR17355315
400	280	226	96	73	5.36	BWR17400280
400	315	218	97	83	5.57	BWR17400315
400	355	203	64	92	6.05	BWR17400355



The drawings, materials and specifications outlined are subject to change without notice due to the continuous improvements and development of our product range.

FUSION QLD PTY LTD

ABN: 42 987 067 369
 13 Vision Court, Noosaville, QLD, 4566
 42-44 South Link, Dandenong, VIC, 3175

CONTACT

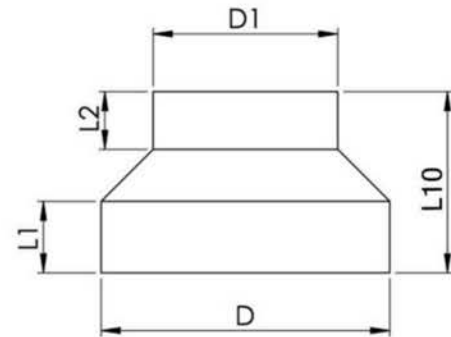
T: +61 7 5474 3000 (Qld)
 T: +61 3 9037 4755 (Vic)
 E: sales@fusionqld.com.au
 W: fusionqld.com.au

TECHNICAL DATA | REDUCER SHORT SDR17

Standards: AS/NZS 4129 | SDR17
 Size Range: 75 x 63mm - 630 x 560mm
 Materials: Polyethelyne (PE) 100
 Pressure Rating: PN10, Water | 5 BAR, Gas



D mm	d1 mm	L10 mm	L1 mm	L2 mm	Weight kg	Code
450	315	206	64	76	6.4	BWR17450315
450	355	203	64	92	6.05	BWR17450355
450	400	188	64	99	6.1	BWR17450400
500	355	210	62	81	7.97	BWR17500355
500	450	166	63	63	7.13	BWR17500450
560	400	240	60	98	10.97	BWR17560400
560	450	187	60	65	9.04	BWR17560450
560	500	192	62	61	9.04	BWR17560500
630	450	234	60	68	13.8	BWR17630450
630	500	192	62	61	13.3	BWR175630500
630	560	188	64	65	14.26	BWR17630560



Note:

Installation should always be performed by a licensed operator. It is the responsibility of the installer to check that both the pipe(s) and fitting(s) that are installed are compatible, only compatible materials should be joined together. It is the responsibility of the licensed installer to check the PN and SDR ratings marked on the fitting(s) and ensure that the pipe is compatible. Correct installation procedures should always be followed.

The drawings, materials and specifications outlined are subject to change without notice due to the continuous improvements and development of our product range.

FUSION QLD PTY LTD

ABN: 42 987 067 369
 13 Vision Court, Noosaville, QLD, 4566
 42-44 South Link, Dandenong, VIC, 3175

CONTACT

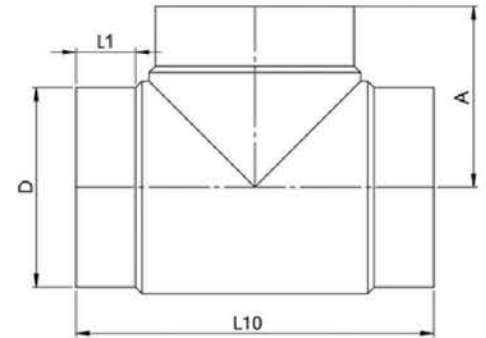
T: +61 7 5474 3000 (Qld)
 T: +61 3 9037 4755 (Vic)
 E: sales@fusionqld.com.au
 W: fusionqld.com.au

TECHNICAL DATA | TEE SHORT SDR17

Standards:	AS/NZS 4129 SDR17
Size Range:	450mm - 630mm
Materials:	Polyethelyne (PE) 100
Pressure Rating:	PN10, Water 5 BAR, Gas
Fitting Details:	Injected



D mm	L10 mm	L1 mm	A mm	Weight kg	Code
450	732	100	732	39.4	BT17450
500	855	130	855	58.2	BT17500
560	865	100	865	67.5	BT17560
630	1020	130	1020	104.2	BT17630



Note:

Installation should always be performed by a licensed operator. It is the responsibility of the installer to check that both the pipe(s) and fitting(s) that are installed are compatible, only compatible materials should be joined together. It is the responsibility of the licensed installer to check the PN and SDR ratings marked on the fitting(s) and ensure that the pipe is compatible. Correct installation procedures should always be followed.

The drawings, materials and specifications outlined are subject to change without notice due to the continuous improvements and development of our product range.

FUSION QLD PTY LTD

ABN: 42 987 067 369
13 Vision Court, Noosaville, QLD, 4566
42-44 South Link, Dandenong, VIC, 3175

CONTACT

T: +61 7 5474 3000 (Qld)
T: +61 3 9037 4755 (Vic)
E: sales@fusionqld.com.au
W: fusionqld.com.au