

VALVES TECHNICAL DATA



TECHNICAL DATA | uPVC BALL VALVE THREADED



Standards: Compatible with AS/NZS 1477 Pressure Pipe Applications

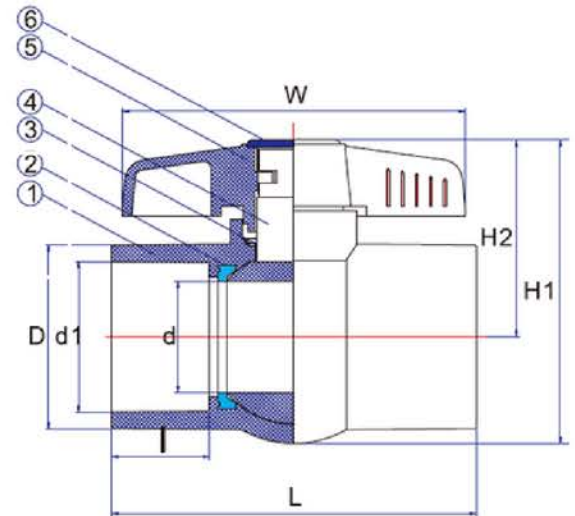
Size Range: 15mm - 150mm

Materials:

1. Body: uPVC
2. Seal: TPE
3. O-Ring: EDPM
4. Ball: uPVC
5. Handle: ABS
6. Cap: ABS

Working Pressure: 150psi

Fitting Details: BSP Threaded



Size mm	Thread Size (d1) inch	d mm	D mm	L mm	I mm	w mm	H1 mm	H2 mm	Code
15	1/2"	14.5	32	80	22	68.5	64.3	44.9	TBVT15
20	3/4"	20	36.8	92	25	80.5	76	52	TBVT20
25	1"	24	45	106	28	100	94	65	TBVT25
32	1 1/4"	30	53.5	112.5	28	108	103	70	TBVT32
40	1 1/2"	34	62	129	33.0	108	112	73.5	TBVT40
50	2"	44	75.5	148	39.5	138	126	81	TBVT50
65	2 1/2"	56	92.5	177.5	39.5	192.5	166	108.5	TBVT65
80	3"	71	107	209	48	192.5	181	116	TBVT80
100	4"	86	134.5	294	78	262	236	151.5	TBVT100
150	6"	130.4	185.4	407	102.7	301.9	299.5	181.2	TBVT150

Note:

Installation should always be performed by a licensed operator. It is the responsibility of the installer to check that both the pipe(s) and fitting(s) that are installed are compatible, only compatible materials should be joined together. It is the responsibility of the licensed installer to check the PN and PSI ratings marked on the fitting(s) and ensure that the pipe is compatible. Correct installation procedures should always be followed.

The drawings, materials and specifications outlined are subject to change without notice due to the continuous improvements and development of our product range.

FUSION QLD PTY LTD

ABN: 42 987 067 369
13 Vision Court, Noosaville, QLD, 4566
42-44 South Link, Dandenong, VIC, 3175

CONTACT

T: +61 7 5474 3000 (Qld)
T: +61 3 9037 4755 (Vic)
E: sales@fusionqld.com.au
W: fusionqld.com.au

TECHNICAL DATA | uPVC BALL VALVE SOLVENT WELD



Standards: Compatible with AS/NZS 1477 Pressure Pipe Applications

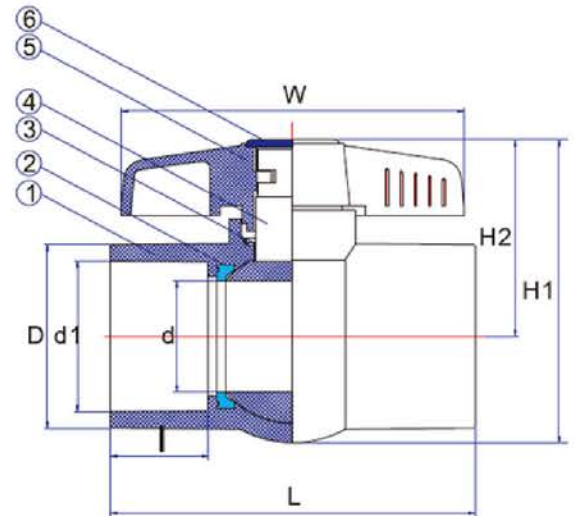
Size Range: 15mm - 150mm

Materials:

1. Body: uPVC
2. Seal: TPE
3. O-Ring: EDPM
4. Ball: uPVC
5. Handle: ABS
6. Cap: ABS

Working Pressure: 150psi

Fitting Details: Solvent Weld



Size mm	d1 mm	d mm	D mm	L mm	I mm	w mm	H1 mm	H2 mm	Code
15	21.34	14.5	32	80	22	68.5	64.3	44.9	TBVS15
20	26.67	20	36.8	92	25	80.5	76	52	TBVS20
25	33.4	24	45	106	28	100	94	65	TBVS25
32	42.16	30	53.5	112.5	28	108	103	70	TBVS32
40	48.26	34	62	129	33.0	108	112	73.5	TBVS40
50	60.33	44	75.5	148	39.5	138	126	81	TBVS50
65	75.35	56	92.5	177.5	39.5	192.5	166	108.5	TBVS65
80	88.9	71	107	209	48	192.5	181	116	TBVS80
100	114.3	86	134.5	294	78	262	236	151.5	TBVS100
150	161	130.4	185.4	407	102.7	301.9	299.5	181.2	TBVS150

Note:

Installation should always be performed by a licensed operator. It is the responsibility of the installer to check that both the pipe(s) and fitting(s) that are installed are compatible, only compatible materials should be joined together. It is the responsibility of the licensed installer to check the PN and PSI ratings marked on the fitting(s) and ensure that the pipe is compatible. Correct installation procedures should always be followed.

The drawings, materials and specifications outlined are subject to change without notice due to the continuous improvements and development of our product range.

FUSION QLD PTY LTD

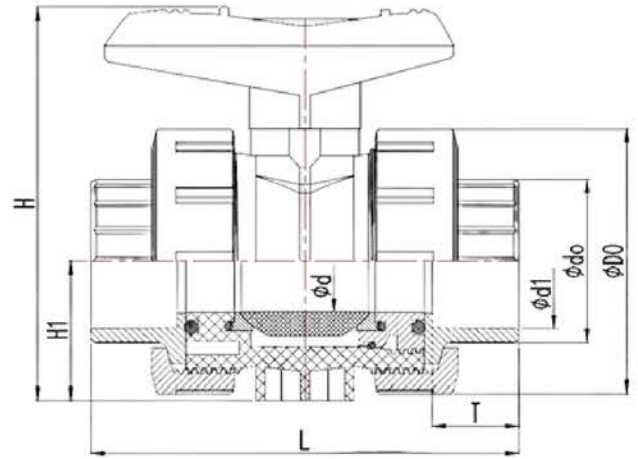
ABN: 42 987 067 369
13 Vision Court, Noosaville, QLD, 4566
42-44 South Link, Dandenong, VIC, 3175

CONTACT

T: +61 7 5474 3000 (Qld)
T: +61 3 9037 4755 (Vic)
E: sales@fusionqld.com.au
W: fusionqld.com.au

TECHNICAL DATA | uPVC BALL VALVE - DOUBLE UNION THREADED

Standards:	Compatible with AS/NZS 1477 Pressure Pipe Applications
Size Range:	15mm - 100mm
Materials:	Handle: ABS Body: uPVC Ball: uPVC O-Ring: EDPM Seal: PTEE
Pressure Rating:	PN10
Fitting Details:	BSP Threaded



Size mm	Thread Size (d1) inch	d mm	do mm	D0 mm	T mm	L mm	H mm	H1 mm	Code
15	1/2"	14	27.6	51.2	20.6	112.5	76.1	25.6	STBVDUT15
20	3/4"	18.7	35.6	65.5	24.6	130.2	91.25	32.75	STBVDUT20
25	1"	24	41.6	73.7	28	142.5	102.55	36.85	STBVDUT25
32	1 1/4"	32	52	86.6	31	161	119.8	43.3	STBVDUT32
40	1 1/2"	40	59.5	102	31.5	166.5	137	51	STBVDUT40
50	2"	50	75	120	40	214	161.5	60	STBVDUT50
65	2 1/2"	60	87.5	135	40	228	180	67.5	STBVDUT65
80	3"	79	107.5	188	48	269	254.5	94	STBVDUT80
100	4"	99	132	216	56	309	281.5	108	STBVDUT100

Note:

Installation should always be performed by a licensed operator. It is the responsibility of the installer to check that both the pipe(s) and fitting(s) that are installed are compatible, only compatible materials should be joined together. It is the responsibility of the licensed installer to check the PN and PSI ratings marked on the fitting(s) and ensure that the pipe is compatible. Correct installation procedures should always be followed.

The drawings, materials and specifications outlined are subject to change without notice due to the continuous improvements and development of our product range.

FUSION QLD PTY LTD

ABN: 42 987 067 369
13 Vision Court, Noosaville, QLD, 4566
42-44 South Link, Dandenong, VIC, 3175

CONTACT

T: +61 7 5474 3000 (Qld)
T: +61 3 9037 4755 (Vic)
E: sales@fusionqld.com.au
W: fusionqld.com.au

TECHNICAL DATA | uPVC BALL VALVE - DOUBLE UNION SOLVENT WELD

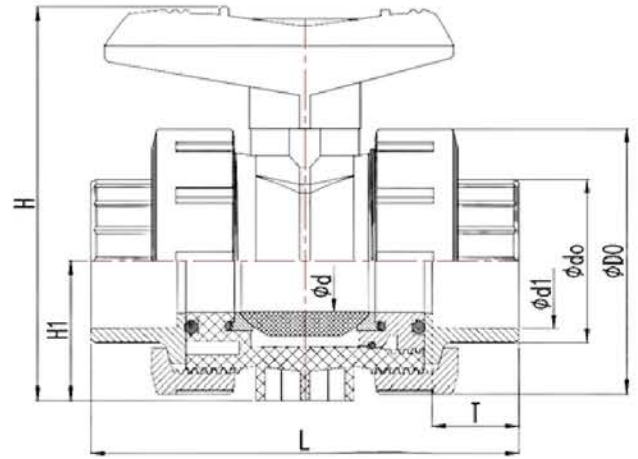
Standards: Compatible with AS/NZS 1477 Pressure Pipe Applications

Size Range: 15mm - 100mm

Materials: Handle: ABS
Body: uPVC
Ball: uPVC
O-Ring: EDPM
Seal: PTEE

Pressure Rating: PN10

Fitting Details: Solvent Weld



Size mm	d1 mm	d mm	do mm	D0 mm	T mm	L mm	H mm	H1 mm	Code
15	21.34	14	27.6	51.2	20.6	112.5	76.1	25.6	STBVDUS20
20	26.67	18.7	35.6	65.5	24.6	130.2	91.25	32.75	STBVDUS20
25	33.4	24	41.6	73.7	28	142.5	102.55	36.85	STBVDUS25
32	42.16	32	52	86.6	31	161	119.8	43.3	STBVDUS32
40	48.26	40	59.5	102	31.5	166.5	137	51	STBVDUS40
50	60.33	50	75	120	40	214	161.5	60	STBVDUS50
65	75.35	60	87.5	135	40	228	180	67.5	STBVDUS65
80	88.9	79	107.5	188	48	269	254.5	94	STBVDUS80
100	114.3	99	132	216	56	309	281.5	108	STBVDUS100

Note:

Installation should always be performed by a licensed operator. It is the responsibility of the installer to check that both the pipe(s) and fitting(s) that are installed are compatible, only compatible materials should be joined together. It is the responsibility of the licensed installer to check the PN and PSI ratings marked on the fitting(s) and ensure that the pipe is compatible. Correct installation procedures should always be followed.

The drawings, materials and specifications outlined are subject to change without notice due to the continuous improvements and development of our product range.

FUSION QLD PTY LTD

ABN: 42 987 067 369
13 Vision Court, Noosaville, QLD, 4566
42-44 South Link, Dandenong, VIC, 3175

CONTACT

T: +61 7 5474 3000 (Qld)
T: +61 3 9037 4755 (Vic)
E: sales@fusionqld.com.au
W: fusionqld.com.au

TECHNICAL DATA | uPVC BALL VALVE - DOUBLE UNION PN16

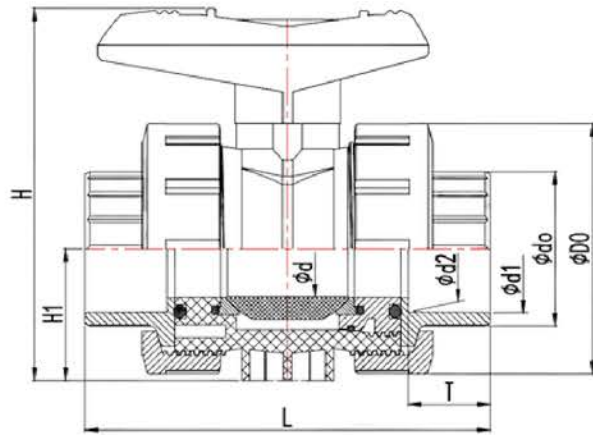
Standards: Compatible with AS/NZS 1477 Pressure Pipe Applications

Size Range: 15mm - 100mm

Materials: uPVC

Pressure Rating: PN16

Fitting Details: Solvent Weld



Size mm	D0 mm	d0 mm	d1 mm	d2 mm	d mm	T mm	H1 mm	H mm	L mm	Code
15	51.5	27.4	20.3	19.95	15.5	17	26.3	82.8	95.5	STBVDUS1516
20	59	32.7	25.3	24.95	20.5	19.5	30.6	92.8	109.1	STBVDUS2016
25	70	41.3	32.3	31.9	26	23	39.1	109.2	122.6	STBVDUS2516
32	85.4	49.6	40.35	39.9	33	27	44.2	131.8	147.3	STBVDUS3216
40	98.9	60.20	50.35	49.9	39	32	52.2	143.2	158.8	STBVDUS4016
50	122.2	76	63.4	62.9	51	38.5	71.3	175.7	182.8	STBVDUS5016
65	158.6	89.6	75.4	74.9	64	44.5	82.8	231.5	234	STBVDUS6516
80	192.1	105.4	90.5	89.9	81	52	99.3	260.6	255	STBVDUS8016
100	223.6	128.4	114.3	109.9	99	62	115.2	292.1	297	STBVDUS10016

Note:

Installation should always be performed by a licensed operator. It is the responsibility of the installer to check that both the pipe(s) and fitting(s) that are installed are compatible, only compatible materials should be joined together. It is the responsibility of the licensed installer to check the PN and PSI ratings marked on the fitting(s) and ensure that the pipe is compatible. Correct installation procedures should always be followed.

The drawings, materials and specifications outlined are subject to change without notice due to the continuous improvements and development of our product range.

FUSION QLD PTY LTD

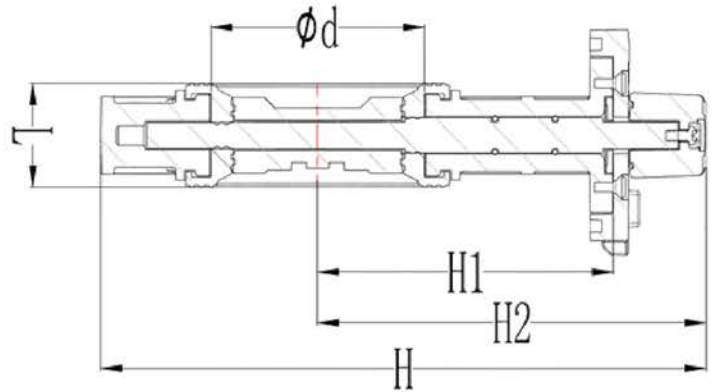
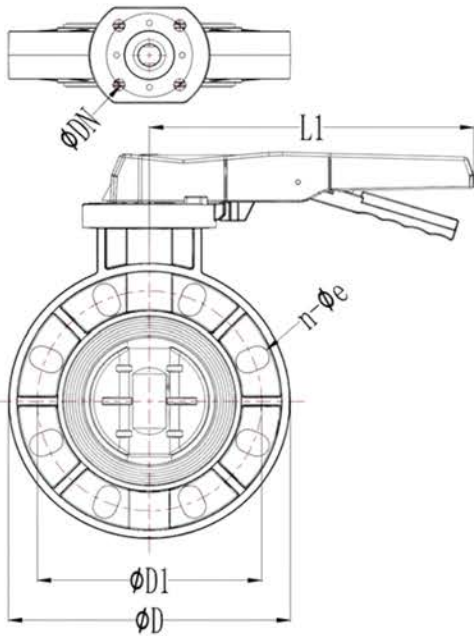
ABN: 42 987 067 369
13 Vision Court, Noosaville, QLD, 4566
42-44 South Link, Dandenong, VIC, 3175

CONTACT

T: +61 7 5474 3000 (Qld)
T: +61 3 9037 4755 (Vic)
E: sales@fusionqld.com.au
W: fusionqld.com.au

TECHNICAL DATA | uPVC BUTTERFLY VALVE WITH ZINC PLATED SHAFT

- Standards: Compatible with AS/NZS 1477 Pressure Pipe Applications
- Size Range: 65mm - 200mm
- Materials: Body: uPVC
Seal: EPDM
O-Ring: EPDM
Shaft: Steel, Zinc Plated
Handle: ABS
- Connection: Flange



Size mm	D mm	D1 mm	d mm	L mm	DN mm	L1 mm	H1 mm	H2 mm	H mm	PN Rating	Code
65	180	145	78.70	36	70	215.80	115.50	155.40	245.40	10	TBFV65
80	196	160	92.10	42	70	215.80	127	170.90	268.90	10	TBFV80
100	229.60	180	111.90	46	70	264.20	156.25	205.15	320	10	TBFV100
150	281.50	240	157.35	59.40	70/102	305.40	190	250.60	391.35	10	TBFV150
200	342.60	295	214.20	76	70/102	303.27	229	280.60	460.90	10	TBFV200

Note:

Installation should always be performed by a licensed operator. It is the responsibility of the installer to check that both the pipe(s) and fitting(s) that are installed are compatible, only compatible materials should be joined together. It is the responsibility of the licensed installer to check the PN and PSI ratings marked on the fitting(s) and ensure that the pipe is compatible. Correct installation procedures should always be followed.

The drawings, materials and specifications outlined are subject to change without notice due to the continuous improvements and development of our product range.

FUSION QLD PTY LTD

ABN: 42 987 067 369
13 Vision Court, Noosaville, QLD, 4566
42-44 South Link, Dandenong, VIC, 3175

CONTACT

T: +61 7 5474 3000 (Qld)
T: +61 3 9037 4755 (Vic)
E: sales@fusionqld.com.au
W: fusionqld.com.au

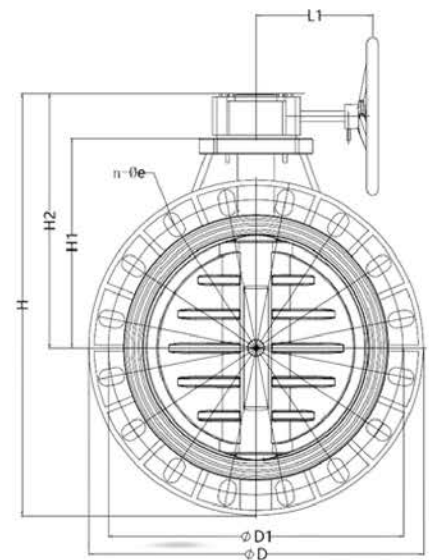
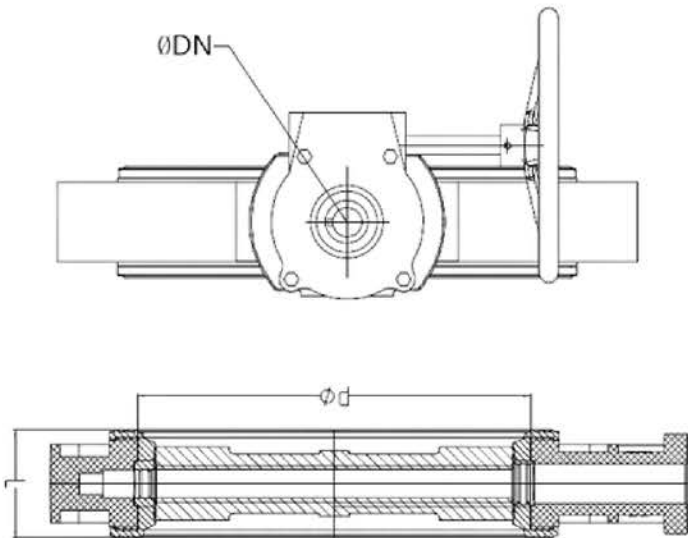
TECHNICAL DATA | uPVC BUTTERFLY VALVE WITH GEARBOX

Standards: Compatible with AS/NZS 1477 Pressure Pipe Applications

Size Range: 200mm - 300mm

Materials:
 Body: uPVC
 Seal: EPDM
 O-Ring: EPDM
 Shaft: Steel, Zinc Plated
 Gear: Steel, Zinc Plated

Connection: Flange



Size mm	D mm	D1 mm	d mm	L mm	DN mm	L1 mm	H1 mm	H2 mm	H mm	PN Rating	Code
200	242.60	295	214.20	76	70/102	190	229	299	470	10	TBFVGD200
250	409.65	355	250	85	102	190	264	334	540	8	TBFVGD250
300	483.55	400	290	92	102	190	301.50	371.50	613	8	TBFVGD300

Note:

Installation should always be performed by a licensed operator. It is the responsibility of the installer to check that both the pipe(s) and fitting(s) that are installed are compatible, only compatible materials should be joined together. It is the responsibility of the licensed installer to check the PN and PSI ratings marked on the fitting(s) and ensure that the pipe is compatible. Correct installation procedures should always be followed.

The drawings, materials and specifications outlined are subject to change without notice due to the continuous improvements and development of our product range.

FUSION QLD PTY LTD

ABN: 42 987 067 369
 13 Vision Court, Noosaville, QLD, 4566
 42-44 South Link, Dandenong, VIC, 3175

CONTACT

T: +61 7 5474 3000 (Qld)
 T: +61 3 9037 4755 (Vic)
 E: sales@fusionqld.com.au
 W: fusionqld.com.au

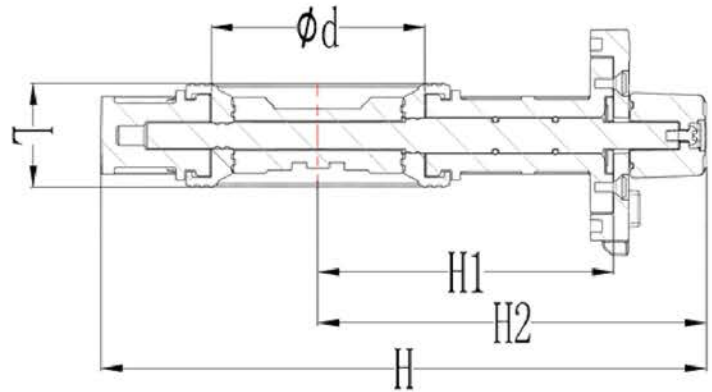
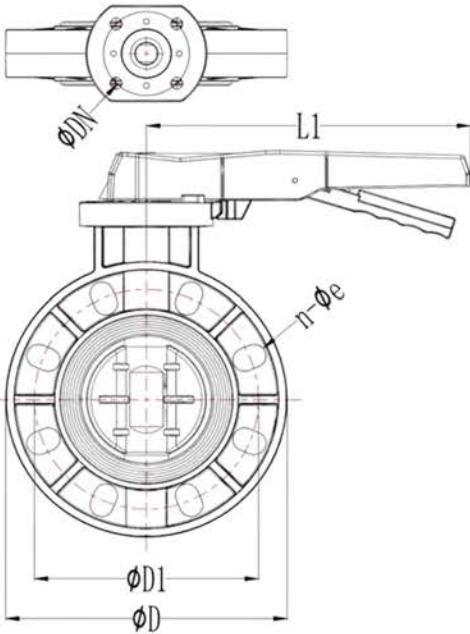
TECHNICAL DATA | uPVC BUTTERFLY VALVE WITH STAINLESS STEEL 316 SHAFT

Standards: Compatible with AS/NZS 1477 Pressure Pipe Applications

Size Range: 80mm - 200mm

Materials:
 Body: uPVC
 Seal: EPDM
 O-Ring: EPDM
 Shaft: Stainless Steel 316
 Handle: uPVC

Connection: Flange



Size mm	D mm	D1 mm	d mm	L mm	DN mm	L1 mm	H1 mm	H2 mm	H mm	PN Rating	Code
80	178	160	92.60	57	70	241	127	168	257	8-19	TBFVS80
100	207	180	112.60	61.40	70	241	142	183	286.50	8-19	TBFVS100
150	258	240	161.40	80	102	320	177.50	219.50	348.50	8-23	TBFVS150
200	325.60	295	199	80	102	320	206.50	248.50	411.30	8-23	TBFVS200

Note:

Installation should always be performed by a licensed operator. It is the responsibility of the installer to check that both the pipe(s) and fitting(s) that are installed are compatible, only compatible materials should be joined together. It is the responsibility of the licensed installer to check the PN and PSI ratings marked on the fitting(s) and ensure that the pipe is compatible. Correct installation procedures should always be followed.

The drawings, materials and specifications outlined are subject to change without notice due to the continuous improvements and development of our product range.

FUSION QLD PTY LTD

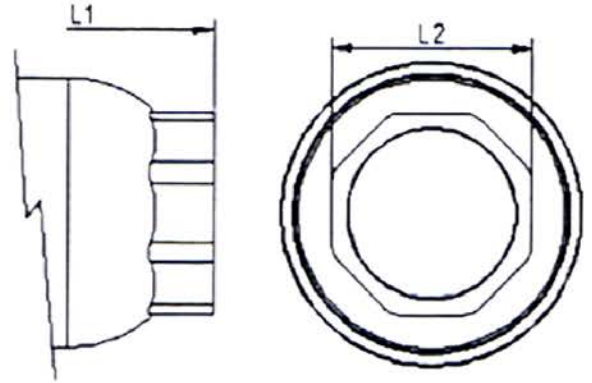
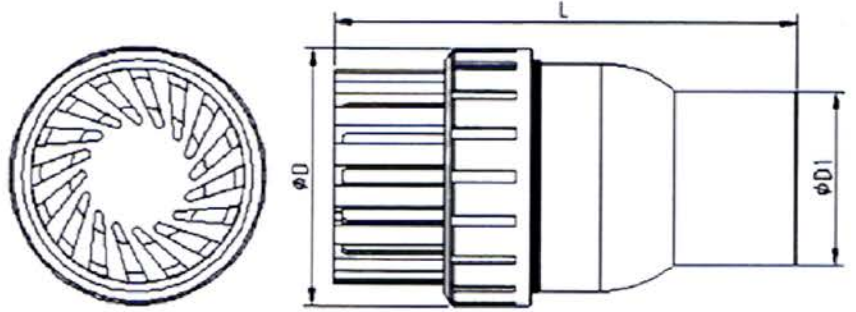
ABN: 42 987 067 369
 13 Vision Court, Noosaville, QLD, 4566
 42-44 South Link, Dandenong, VIC, 3175

CONTACT

T: +61 7 5474 3000 (Qld)
 T: +61 3 9037 4755 (Vic)
 E: sales@fusionqld.com.au
 W: fusionqld.com.au

TECHNICAL DATA | uPVC FOOT VALVE THREADED

- Standards: Compatible with AS/NZS 1477 Pressure Pipe Applications
- Size Range: 20mm - 150mm
- Materials: Body: uPVC
Ball: uPVC
O-Ring: EPDM
- Fitting Details: BSP Threaded
- Colour: White & Grey



Size mm	Thread Size (D1) inch	D mm	L mm	L1 mm	L2 mm	Code
20	3/4"	58	162.5	94	34	TFVT20
25	1"	58	112.5	96	41	TFVT25
40	1 1/2"	101	164	162.5	56	TFVT40
50	2"	123.6	208	202	69	TFVT50
65	2 1/2"	123.6	200	199	85	TFVT65
80	3"	150.5	231.5	231.5	100	TFVT80
100	4"	175.6	257	257	127	TFVT100

Note:

Installation should always be performed by a licensed operator. It is the responsibility of the installer to check that both the pipe(s) and fitting(s) that are installed are compatible, only compatible materials should be joined together. It is the responsibility of the licensed installer to check the PN and PSI ratings marked on the fitting(s) and ensure that the pipe is compatible. Correct installation procedures should always be followed.

The drawings, materials and specifications outlined are subject to change without notice due to the continuous improvements and development of our product range.

FUSION QLD PTY LTD

ABN: 42 987 067 369
13 Vision Court, Noosaville, QLD, 4566
42-44 South Link, Dandenong, VIC, 3175

CONTACT

T: +61 7 5474 3000 (Qld)
T: +61 3 9037 4755 (Vic)
E: sales@fusionqld.com.au
W: fusionqld.com.au

TECHNICAL DATA | uPVC FOOT VALVE SOLVENT WELD

Standards: Compatible with AS/NZS 1477 Pressure Pipe Applications

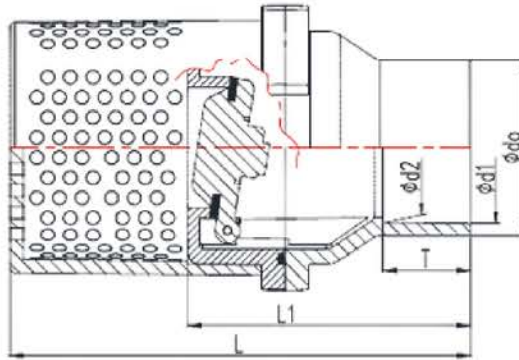
Size Range: 20mm - 150mm

Materials: Body: uPVC
Ball: uPVC
O-Ring: EPDM

Fitting Details: Solvent Weld

Colour: Grey

Pressure Rating: PN6



Size mm	d0 mm	d1 mm	d2 mm	T mm	L1 mm	L mm	H mm	Code
100	125.4	114.8	114	61.2	218	379	206	TFVS100
150	186	160.8	159.9	87	304.5	505.8	285	TFVS150

Note:

Installation should always be performed by a licensed operator. It is the responsibility of the installer to check that both the pipe(s) and fitting(s) that are installed are compatible, only compatible materials should be joined together. It is the responsibility of the licensed installer to check the PN and PSI ratings marked on the fitting(s) and ensure that the pipe is compatible. Correct installation procedures should always be followed.

The drawings, materials and specifications outlined are subject to change without notice due to the continuous improvements and development of our product range.

FUSION QLD PTY LTD

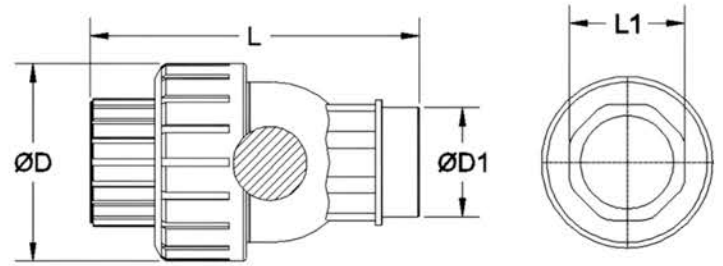
ABN: 42 987 067 369
13 Vision Court, Noosaville, QLD, 4566
42-44 South Link, Dandenong, VIC, 3175

CONTACT

T: +61 7 5474 3000 (Qld)
T: +61 3 9037 4755 (Vic)
E: sales@fusionqld.com.au
W: fusionqld.com.au

TECHNICAL DATA | BALL CHECK VALVE THREADED

Standards:	Compatible with AS/NZS 1477 Pressure Pipe Applications
Size Range:	20mm - 100mm
Materials:	Body: uPVC Ball: uPVC O-Ring: EPDM
Fitting Details:	BSP Threaded



Size mm	Thread Size (D1) inch	D mm	L mm	L1 mm	Code
20	3/4"	58	104	34	TBCVT20
25	1"	58	108.5	40	TBCVT25
40	1 1/2"	102	161	55	TBCVT40
50	2"	102	155	68	TBCVT50
65	2 1/2"	124	188	85	TBCVT65
80	3"	150.5	214	100	TBCVT80
100	4"	175.6	240	127	TBCVT100

Note:

Installation should always be performed by a licensed operator. It is the responsibility of the installer to check that both the pipe(s) and fitting(s) that are installed are compatible, only compatible materials should be joined together. It is the responsibility of the licensed installer to check the PN and PSI ratings marked on the fitting(s) and ensure that the pipe is compatible. Correct installation procedures should always be followed.

The drawings, materials and specifications outlined are subject to change without notice due to the continuous improvements and development of our product range.

FUSION QLD PTY LTD

ABN: 42 987 067 369
13 Vision Court, Noosaville, QLD, 4566
42-44 South Link, Dandenong, VIC, 3175

CONTACT

T: +61 7 5474 3000 (Qld)
T: +61 3 9037 4755 (Vic)
E: sales@fusionqld.com.au
W: fusionqld.com.au

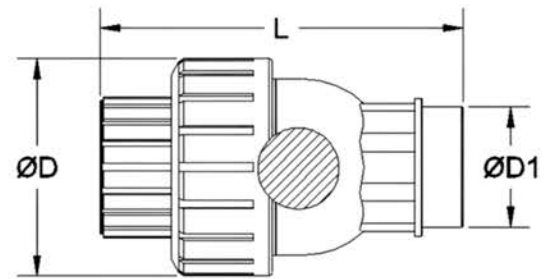
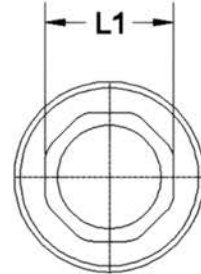
TECHNICAL DATA | BALL CHECK VALVE SOLVENT WELD

Standards: Compatible with AS/NZS 1477 Pressure Pipe Applications

Size Range: 20mm - 50mm

Materials: Body: uPVC
Ball: uPVC
O-Ring: EPDM

Fitting Details: Solvent Weld



Size mm	D1 mm	D mm	L mm	L1 mm	Code
20	32	58	104	34	TBCVS20
25	39	58	108.5	40	TBCVS25
40	56	102	145.5	55	TBCVS40
50	69	102	155	68	TBCVS50

Note:

Installation should always be performed by a licensed operator. It is the responsibility of the installer to check that both the pipe(s) and fitting(s) that are installed are compatible, only compatible materials should be joined together. It is the responsibility of the licensed installer to check the PN and PSI ratings marked on the fitting(s) and ensure that the pipe is compatible. Correct installation procedures should always be followed.

The drawings, materials and specifications outlined are subject to change without notice due to the continuous improvements and development of our product range.

FUSION QLD PTY LTD

ABN: 42 987 067 369
13 Vision Court, Noosaville, QLD, 4566
42-44 South Link, Dandenong, VIC, 3175

CONTACT

T: +61 7 5474 3000 (Qld)
T: +61 3 9037 4755 (Vic)
E: sales@fusionqld.com.au
W: fusionqld.com.au

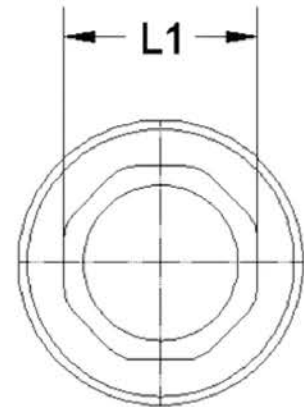
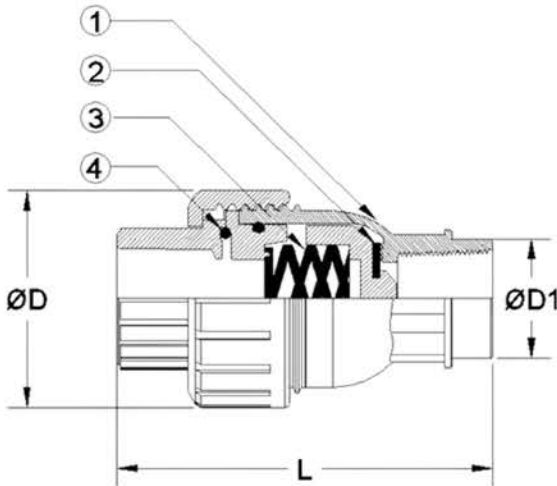
TECHNICAL DATA | SPRING CHECK VALVE THREADED

Standards: Compatible with AS/NZS 1477 Pressure Pipe Applications

Size Range: 20mm - 50mm

Materials: 1. Body: uPVC
2. O-Ring: EPDM
3. Spring: Steel
4. Thread: uPVC

Fitting Details: BSP Threaded



Size mm	Thread Size (D1) inch	D mm	L mm	L1 mm	Code
20	3/4"	58	100	34	TSCVT20
25	1"	58	106.5	40	TSCVT25
40	1 1/2"	102	164	55	TSCVT40
50	2"	102	170	68	TSCVT50

Note:

Installation should always be performed by a licensed operator. It is the responsibility of the installer to check that both the pipe(s) and fitting(s) that are installed are compatible, only compatible materials should be joined together. It is the responsibility of the licensed installer to check the PN and PSI ratings marked on the fitting(s) and ensure that the pipe is compatible. Correct installation procedures should always be followed.

The drawings, materials and specifications outlined are subject to change without notice due to the continuous improvements and development of our product range.

FUSION QLD PTY LTD

ABN: 42 987 067 369
13 Vision Court, Noosaville, QLD, 4566
42-44 South Link, Dandenong, VIC, 3175

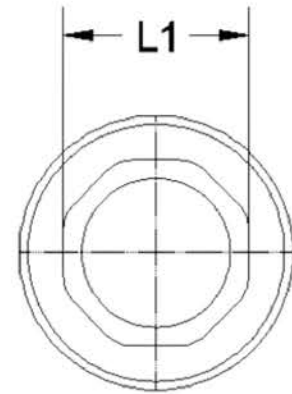
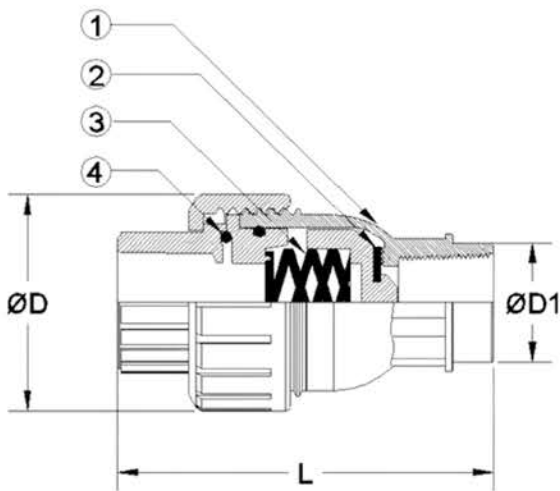
CONTACT

T: +61 7 5474 3000 (Qld)
T: +61 3 9037 4755 (Vic)
E: sales@fusionqld.com.au
W: fusionqld.com.au

TECHNICAL DATA | SPRING CHECK VALVE SOLVENT WELD

- Standards: Compatible with AS/NZS 1477 Pressure Pipe Applications
- Size Range: 20mm - 50mm
- Materials:
1. Body: uPVC
 2. O-Ring: EPDM
 3. Spring: Steel
 4. Interior: uPVC

Fitting Details: Solvent Weld



Size mm	D1 mm	D mm	L mm	L1 mm	Code
20	32	58	100	34	TSCVS20
25	39	58	106.5	40	TSCVS25
40	56	102	164	55	TSCVS40
50	69	102	170	68	TSCVS50

Note:

Installation should always be performed by a licensed operator. It is the responsibility of the installer to check that both the pipe(s) and fitting(s) that are installed are compatible, only compatible materials should be joined together. It is the responsibility of the licensed installer to check the PN and PSI ratings marked on the fitting(s) and ensure that the pipe is compatible. Correct installation procedures should always be followed.

The drawings, materials and specifications outlined are subject to change without notice due to the continuous improvements and development of our product range.

FUSION QLD PTY LTD

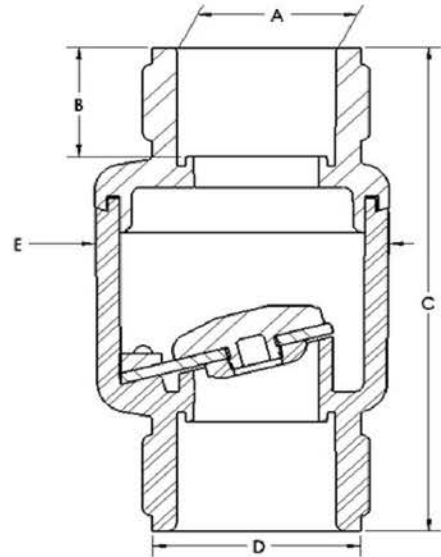
ABN: 42 987 067 369
13 Vision Court, Noosaville, QLD, 4566
42-44 South Link, Dandenong, VIC, 3175

CONTACT

T: +61 7 5474 3000 (Qld)
T: +61 3 9037 4755 (Vic)
E: sales@fusionqld.com.au
W: fusionqld.com.au

TECHNICAL DATA | uPVC SWING CHECK VALVE

- Standards: Compatible with AS/NZS 1477 Pressure Pipe Applications
- Size Range: 15mm - 100mm
- Materials: uPVC Body
EDPM Flapper
- Fitting Details: Solvent Weld
- PSI: 125 Static Pressure at 22°C



Size mm	A mm	B mm	C mm	D mm	E mm	PN Rating	Code
15	21.54	20.00	90.17	28.45	49.53	PN9	TSWCVS15
20	26.85	20.00	90.17	35.05	49.53	PN9	TSWCVS20
25	33.53	25.25	113.54	41.91	59.69	PN9	TSWCVS25
32	42.42	31.25	137.92	51.31	80.264	PN9	TSWCVS32
40	48.51	32.50	140.72	57.91	80.264	PN9	TSWCVS40
50	60.63	36.25	159.00	70.10	107.95	PN9	TSWCVS50
80	89.31	49.25	218.95	103.20	146.304	PN9	TSWCVS80
100	114.07	50.00	243.84	127.00	161.8742	PN9	TSWCVS100

Note:

Installation should always be performed by a licensed operator. It is the responsibility of the installer to check that both the pipe(s) and fitting(s) that are installed are compatible, only compatible materials should be joined together. It is the responsibility of the licensed installer to check the PN and PSI ratings marked on the fitting(s) and ensure that the pipe is compatible. Correct installation procedures should always be followed.

The drawings, materials and specifications outlined are subject to change without notice due to the continuous improvements and development of our product range.

FUSION QLD PTY LTD

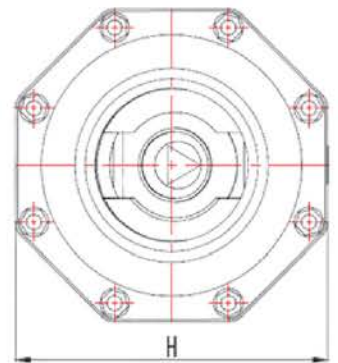
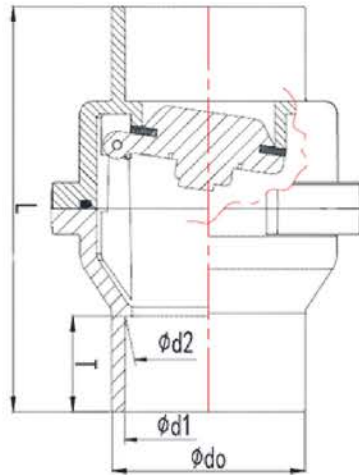
ABN: 42 987 067 369
13 Vision Court, Noosaville, QLD, 4566
42-44 South Link, Dandenong, VIC, 3175

CONTACT

T: +61 7 5474 3000 (Qld)
T: +61 3 9037 4755 (Vic)
E: sales@fusionqld.com.au
W: fusionqld.com.au

TECHNICAL DATA | uPVC SWING CHECK VALVE

Standards:	Compatible with AS/NZS 1477 Pressure Pipe Applications
Size Range:	150mm
Materials:	uPVC
Fitting Details:	Solvent Weld
Pressure Rating:	PN6



Size mm	d0 mm	d1 mm	d2 mm	T mm	L mm	H mm	Code
150	186	160.8	159.9	87	390	285	TSCVS150

Note:

Installation should always be performed by a licensed operator. It is the responsibility of the installer to check that both the pipe(s) and fitting(s) that are installed are compatible, only compatible materials should be joined together. It is the responsibility of the licensed installer to check the PN and PSI ratings marked on the fitting(s) and ensure that the pipe is compatible. Correct installation procedures should always be followed.

The drawings, materials and specifications outlined are subject to change without notice due to the continuous improvements and development of our product range.

FUSION QLD PTY LTD

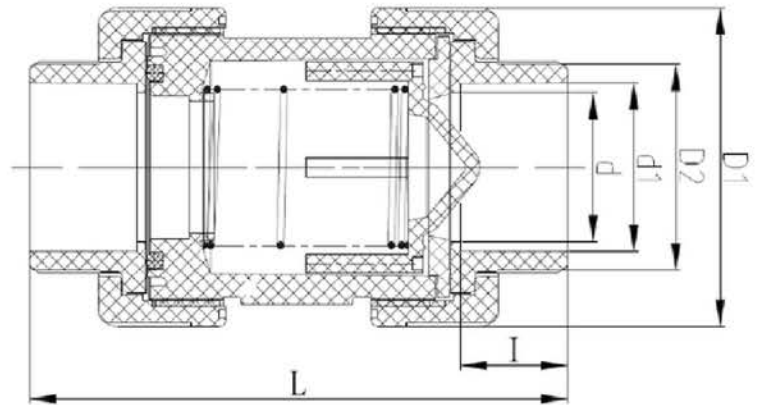
ABN: 42 987 067 369
13 Vision Court, Noosaville, QLD, 4566
42-44 South Link, Dandenong, VIC, 3175

CONTACT

T: +61 7 5474 3000 (Qld)
T: +61 3 9037 4755 (Vic)
E: sales@fusionqld.com.au
W: fusionqld.com.au

TECHNICAL DATA | SPRING CHECK VALVE - TRUE UNION | BSP THREADED

Standards: Compatible with AS/NZS 1477 Pressure Pipe Applications
 Size Range: 15mm - 100mm
 Fitting Details: BSP Threaded



Size mm	Thread Size (d1) inch	d mm	D1 mm	D2 mm	I mm	L mm	Code
15	1/2"	21.34	48	27.4	17	87.2	STCVTDU015
20	3/4"	26.67	68	36.2	19.7	114.53	STCVTDU020
25	1"	33.4	68	42	23	129.5	STCVTDU025
32	1 1/4"	42.16	95	52.6	27	151.1	STCVTDU032
40	1 1/2"	48.26	92.8	61.4	32	160.3	STCVTDU40
50	2"	60.33	114.8	77.6	38	193.2	STCVTDU50
65	2 1/2"	73	148	89.4	45	231.4	STCVTDU65
80	3"	88.9	179	108.5	58	270	STCVTDU80
100	4"	114.3	179	132.5	63.5	281.8	STCVTDU100

Note:

Installation should always be performed by a licensed operator. It is the responsibility of the installer to check that both the pipe(s) and fitting(s) that are installed are compatible, only compatible materials should be joined together. It is the responsibility of the licensed installer to check the PN and PSI ratings marked on the fitting(s) and ensure that the pipe is compatible. Correct installation procedures should always be followed.

The drawings, materials and specifications outlined are subject to change without notice due to the continuous improvements and development of our product range.

FUSION QLD PTY LTD

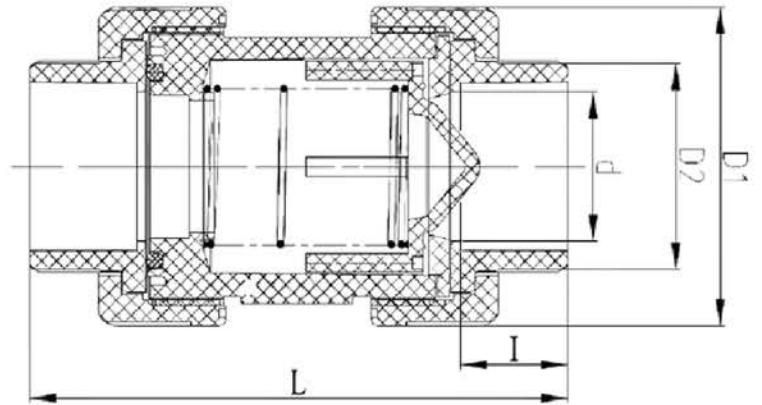
ABN: 42 987 067 369
 13 Vision Court, Noosaville, QLD, 4566
 42-44 South Link, Dandenong, VIC, 3175

CONTACT

T: +61 7 5474 3000 (Qld)
 T: +61 3 9037 4755 (Vic)
 E: sales@fusionqld.com.au
 W: fusionqld.com.au

TECHNICAL DATA | SPRING CHECK VALVE - TRUE UNION | SOLVENT WELD

Standards: Compatible with AS/NZS 1477 Pressure Pipe Applications
 Size Range: 15mm - 100mm
 Fitting Details: Solvent Weld



Size mm	d mm	D1 mm	D2 mm	I mm	L mm	Code
15	21.34	48	27.4	17	87.2	STCVSDU015
20	26.67	68	36.2	19.7	114.53	STCVSDU020
25	33.4	68	42	23	129.5	STCVSDU025
32	42.16	95	52.6	27	151.1	STCVSDU032
40	48.26	92.8	61.4	32	160.3	STCVSDU40
50	60.33	114.8	77.6	38	193.2	STCVSDU50
65	73	148	89.4	45	231.4	STCVSDU65
80	88.9	179	108.5	58	270	STCVSDU80
100	114.3	179	132.5	63.5	281.8	STCVSDU100

Note:

Installation should always be performed by a licensed operator. It is the responsibility of the installer to check that both the pipe(s) and fitting(s) that are installed are compatible, only compatible materials should be joined together. It is the responsibility of the licensed installer to check the PN and PSI ratings marked on the fitting(s) and ensure that the pipe is compatible. Correct installation procedures should always be followed.

The drawings, materials and specifications outlined are subject to change without notice due to the continuous improvements and development of our product range.

FUSION QLD PTY LTD

ABN: 42 987 067 369
 13 Vision Court, Noosaville, QLD, 4566
 42-44 South Link, Dandenong, VIC, 3175

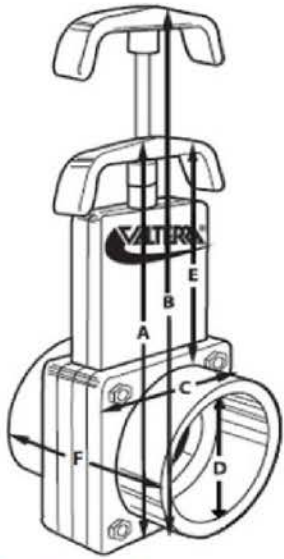
CONTACT

T: +61 7 5474 3000 (Qld)
 T: +61 3 9037 4755 (Vic)
 E: sales@fusionqld.com.au
 W: fusionqld.com.au

TECHNICAL DATA | SLIDING GATE VALVE TO SUIT NON PRESSURE PIPES

Materials and General Specifications

	40 mm	50mm	90mm	100mm	150mm	150 mm (Heavy)
Colour:	Grey	Grey	Grey	Grey	Grey	Grey
Body:	uPVC	uPVC	uPVC	uPVC	uPVC	uPVC
Shaft:	SS 304	SS 304	SS 304	SS 304	SS 304	SS 304
Handle:	uPVC	uPVC	uPVC	uPVC	uPVC	SS 304
Paddle:	uPVC	uPVC	uPVC	uPVC	uPVC	SS 304
Seal:	EPDM	EPDM	EPDM	EPDM	EPDM	EPDM
Max PSI: Open/Closed	30/45	20/40	15/15	6/10	6/10	6/10
Mid Flow Max: Closing	6 psi	5 psi	5 psi	2.5 psi	2.5 psi	2.5 psi



Valve Dimensions

Size (mm)	A	B	C	D	E	F	Code
90	238	324	111	90.3	130	133	TGVS90
100	330	454	169	110.40	181	130	TGVS100
100 (SS Paddle)	330	454	169	110.40	181	130	TGVS100S
150	484	663	240	160.47	259	174	TGVS150
150 (Heavy)	572	800	279.4	160.7	343	279	TGVS150V

Solvent

Valve Fitting	Pipe	Size (mm)	Cement
uPVC	uPVC	40 -150	<ul style="list-style-type: none"> • Clear Type P Solvent • Green Type P Solvent • Blue Type N Solvent
uPVC	uPVC	225 -300	<ul style="list-style-type: none"> • Clear Type P Solvent • Green Type P Solvent • Blue Type N Solvent

Max Working Temperature

Material	Suggested Maximum Working Temperature
ABS	96° C
uPVC	75° C
PC	137° C

Note:

Installation should always be performed by a licensed operator. It is the responsibility of the installer to check that both the pipe(s) and fitting(s) that are installed are compatible, only compatible materials should be joined together. It is the responsibility of the licensed installer to check the PN ratings marked on the fitting(s) and ensure that the pipe is compatible. Correct installation procedures should always be followed.

The drawings, materials and specifications outlined are subject to change without notice due to the continuous improvements and development of our product range.

FUSION QLD PTY LTD

ABN: 42 987 067 369
13 Vision Court, Noosaville, QLD, 4566
42-44 South Link, Dandenong, VIC, 3175

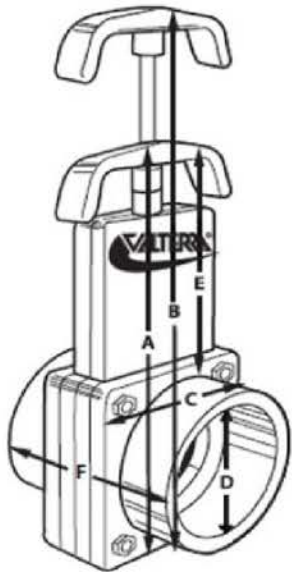
CONTACT

T: +61 7 5474 3000 (Qld)
T: +61 3 9037 4755 (Vic)
E: sales@fusionqld.com.au
W: fusionqld.com.au

TECHNICAL DATA | SLIDING GATE VALVE TO SUIT PRESSURE PIPES

Materials and General Specifications

	40 mm	50mm	80mm	80mm	100mm	100mm	150mm	150mm
Colour:	White	White	White	White	White	White	Grey	Grey
Body:	uPVC	uPVC	uPVC	uPVC	uPVC	uPVC	uPVC	uPVC
Shaft:	SS 304	SS 304	SS 304	SS 304	SS 304	SS 304	SS 304	SS 304
Handle:	uPVC	uPVC	uPVC	SS 304	uPVC	SS 304	uPVC	SS 304
Paddle:	uPVC	uPVC	uPVC	SS 304	uPVC	SS 304	uPVC	SS 304
Seal:	EPDM	EPDM	EPDM	EPDM	EPDM	EPDM	EPDM	EPDM
Max PSI: Open/Closed	30/45	20/40	15/15	15/15	6/10	6/10	6/8	6/8
Mid Flow Max: Closing	6 psi	5 psi	5 psi	5 psi	2.5 psi	2.5 psi	2.5 psi	2.5 psi



Valve Dimensions

Size (mm)	A	B	C	D	E	F	Code
40	168	222	72.60	50.3	98	98	TGVP40
50	191	260	85.4	63.3	111	105	TGVP50
80	238	324	111	89.40	130	133	TGVP80
80 (SS Paddle)	238	324	111	89.40	130	133	TGVP80S
100	330	454	169	114.75	181	130	TGVP100
100 (SS Paddle)	330	454	169	114.75	181	130	TGVP100S
150	484	663	240	160.70	259	174	TGVS150
150 (SS Paddle)	572	800	279.4	160.7	343	279	TGVS150V

Solvent

Valve Fitting	Pipe	Size (mm)	Cement
uPVC	uPVC	40 -150	<ul style="list-style-type: none"> Clear Type P Solvent Green Type P Solvent
uPVC	uPVC	225 -300	<ul style="list-style-type: none"> Clear Type P Solvent Green Type P Solvent

Max Working Temperature

Material	Suggested Maximum Working Temperature
ABS	96° C
uPVC	75° C
PC	137° C

Note:

Installation should always be performed by a licensed operator. It is the responsibility of the installer to check that both the pipe(s) and fitting(s) that are installed are compatible, only compatible materials should be joined together. It is the responsibility of the licensed installer to check the PN ratings marked on the fitting(s) and ensure that the pipe is compatible. Correct installation procedures should always be followed.

The drawings, materials and specifications outlined are subject to change without notice due to the continuous improvements and development of our product range.

FUSION QLD PTY LTD

ABN: 42 987 067 369
13 Vision Court, Noosaville, QLD, 4566
42-44 South Link, Dandenong, VIC, 3175

CONTACT

T: +61 7 5474 3000 (Qld)
T: +61 3 9037 4755 (Vic)
E: sales@fusionqld.com.au
W: fusionqld.com.au

TECHNICAL DATA | uPVC INDUSTRIAL SLIDING GATE VALVE

Materials and General Specifications

	225 mm (250 ID)	300 mm (315 ID)
Colour:	Grey	Grey
Body:	uPVC	uPVC
Shaft:	SS 304	SS 304
Handle:	SS 304	SS 304
Paddle:	SS 304	SS 304
Seal:	EPDM	EPDM
Max PSI: Open/Closed	6/8	6/8
Mid Flow Max: Closing	2.5 psi	2.5 psi



Valve Dimensions

Size (mm)	A	B	C	D	E	F	Code
225 (250 ID)	889	1232	469.30	251	514.4	341.3	TGVS225
300 (315 ID)	889	1232	469.30	316	485.8	409	TGVS300

Solvent

Valve Fitting	Pipe	Size (mm)	Cement
uPVC	uPVC	225 -300	<ul style="list-style-type: none"> Clear Type N Solvent Green Type P Solvent

Note:

Installation should always be performed by a licensed operator. It is the responsibility of the installer to check that both the pipe(s) and fitting(s) that are installed are compatible, only compatible materials should be joined together. It is the responsibility of the licensed installer to check the PN ratings marked on the fitting(s) and ensure that the pipe is compatible. Correct installation procedures should always be followed.

The drawings, materials and specifications outlined are subject to change without notice due to the continuous improvements and development of our product range.

Max Working Temperature

Material	Suggested Maximum Working Temperature
ABS	96° C
uPVC	75° C
PC	137° C

FUSION QLD PTY LTD

ABN: 42 987 067 369
13 Vision Court, Noosaville, QLD, 4566
42-44 South Link, Dandenong, VIC, 3175

CONTACT

T: +61 7 5474 3000 (Qld)
T: +61 3 9037 4755 (Vic)
E: sales@fusionqld.com.au
W: fusionqld.com.au