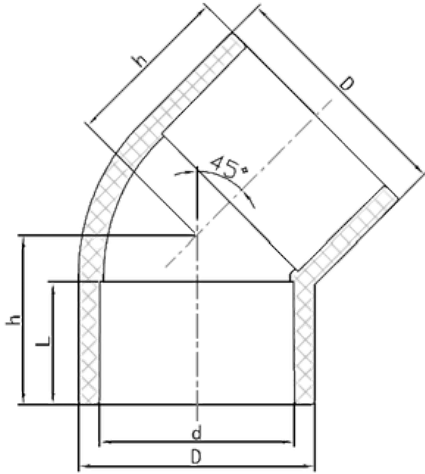


TECHNICAL DATA | CAT 10 uPVC 45° ELBOW

Size Range: 15mm - 150mm

Materials: uPVC



Size mm	D mm	d mm	L	h	Pressure Rating	Code
15	27.3	21.7	20	27.12	PN18	TE45015
20	33.6	27.2	22	29.97	PN18	TE45020
25	40.6	58.3	48.7	32	PN18	TE45025
32	50.7	42.7	29	40.10	PN18	TE45032
40	58.3	48.7	32	45.05	PN18	TE45040
50	70.8	60.8	38	53.6	PN18	TE45050
65	87.8	75.8	46	64.7	PN15	TE45065
80	103.4	89.4	52	73.48	PN15	TE45080
100	133	115	62	88.57	PN15	TE45100
125	159.2	140.6	76.2	105.4	PN15	TE45125
150	185	161	89	125.10	PN15	TE45150

The technical data within is not binding. It neither constitutes warranted characteristics nor guaranteed properties or durability. It is the responsibility of the licensed installer to check the PN ratings marked on the fitting(s) and ensure that the pipe is compatible. Correct installation procedures should always be followed. The drawings, materials and specifications outlined are subject to change without notice due to the continuous improvements and development of our product range.

FUSION QLD PTY LTD

ABN: 42 987 067 369
13 Vision Court, Noosaville, QLD, 4566
42-44 South Link, Dandenong, VIC, 3175

CONTACT

T: +61 7 5474 3000 (Qld)
T: +61 3 9037 4755 (Vic)
E: sales@fusionqld.com.au
W: fusionqld.com.au