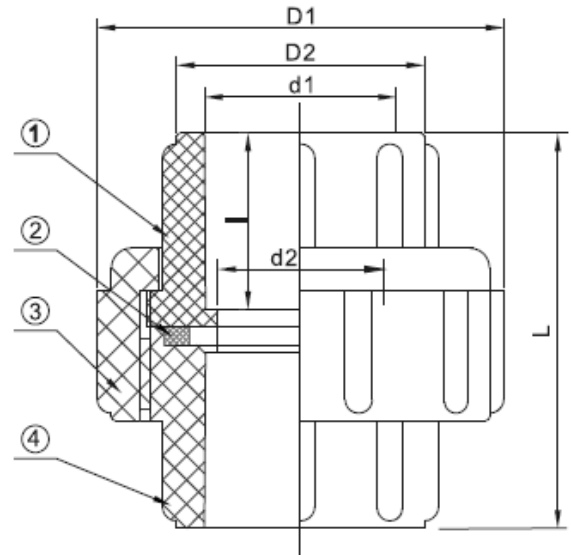


TECHNICAL DATA | uPVC CAT 22 BARREL UNION

Size Range: 15mm - 100mm

Materials:

1. End Connector: uPVC
2. O-Ring: EPDM
3. Union Nut: uPVC
4. Body: uPVC



Size mm	d1 mm	d2 mm	D2 mm	D1 mm	l mm	L mm	Pressure Rating	Code
15	20	14	29.2	50.6	20.5	48	PN18	TBU015
20	25	19	34.5	56.7	22	53.6	PN18	TBU020
25	32	24	42.6	66.5	28	63	PN18	TBU025
32	40	32	52	81	30	72.6	PN18	TBU032
40	50	40	59	86.8	34.5	85	PN18	TBU040
50	63	45	72.1	105.8	40	103	PN18	TBU050
65	75	60	90	129	40	109	PN10	TBU065
80	90	80	103.5	145.5	48	125.5	PN10	TBU080
100	110	100	132.5	175	60	160	PN10	TBU100

The technical data within is not binding. It neither constitutes warranted characteristics nor guaranteed properties or durability. It is the responsibility of the licensed installer to check the PN ratings marked on the fitting(s) and ensure that the pipe is compatible. Correct installation procedures should always be followed. The drawings, materials and specifications outlined are subject to change without notice due to the continuous improvements and development of our product range.

FUSION QLD PTY LTD

ABN: 42 987 067 369
13 Vision Court, Noosaville, QLD, 4566
42-44 South Link, Dandenong, VIC, 3175

CONTACT

T: +61 7 5474 3000 (Qld)
T: +61 3 9037 4755 (Vic)
E: sales@fusionqld.com.au
W: fusionqld.com.au