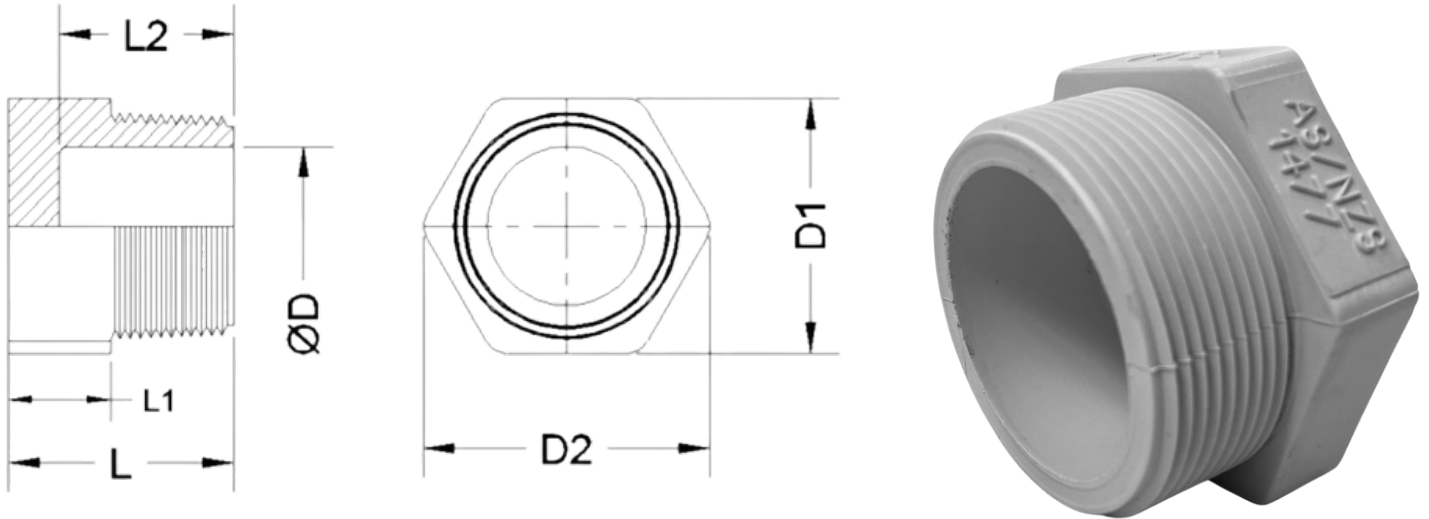


TECHNICAL DATA | uPVC CAT 23 SCREWED PLUG

Size Range: 200 mm - 375 mm

Materials: uPVC



Size inch	D0 mm	D mm	D1 mm	D2 mm	L mm	L2 mm	Code
1/2"	15	12.9	24	26.8	25.2	19.2	TSP015
3/4"	20	18.7	30	33.7	26.5	20.5	TSP020
1"	25	24	36	40.6	28.8	22.8	TSP025
1 1/4"	32	30.93	46	51.9	32.1	25.6	TSP032
1 1/2"	40	35.72	55	61.65	34.1	26.6	TSP040
2"	50	45.7	65	73.8	38.4	30.9	TSP050

The technical data within is not binding. It neither constitutes warranted characteristics nor guaranteed properties or durability. It is the responsibility of the licensed installer to check the PN ratings marked on the fitting(s) and ensure that the pipe is compatible. Correct installation procedures should always be followed. The drawings, materials and specifications outlined are subject to change without notice due to the continuous improvements and development of our product range.

FUSION QLD PTY LTD

ABN: 42 987 067 369
13 Vision Court, Noosaville, QLD, 4566
42-44 South Link, Dandenong, VIC, 3175

CONTACT

T: +61 7 5474 3000 (Qld)
T: +61 3 9037 4755 (Vic)
E: sales@fusionqld.com.au
W: fusionqld.com.au