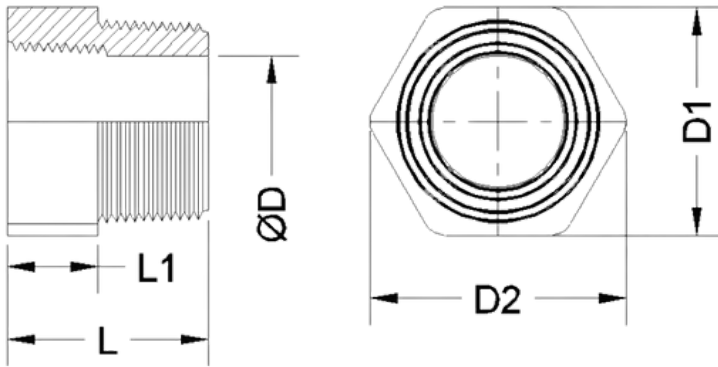


## TECHNICAL DATA | uPVC CAT 24 SCREWED BUSH

Size Range: 200 mm - 375 mm

Materials: uPVC



Size mm	D mm	D1 mm	D2 mm	L mm	L1 mm	Code
20 x 15	17.35	30	33.7	26.5	11.19	TSB02015
25 x 15	23.9	36	40.9	28.7	11.75	TSB02515
25 x 20	22	36	40.6	28.8	11.75	TSB02520
32 x 25	28	46	51.9	32.1	14.98	TSB03225
40 x 15	17.35	55	61.65	34.1	15.33	TSB04015
40 x 20	21.95	55	61.65	34.1	15.33	TSB04020
40 x 25	27.85	55	61.65	34.1	15.33	TSB04025
40 x 32	35.5	55	61.65	34.1	15.33	TSB04032
50 x 25	27.85	65	73.8	38.4	15.21	TSB05025
50 x 40	41.5	65	73.8	38.4	15.21	TSB05040

The technical data within is not binding. It neither constitutes warranted characteristics nor guaranteed properties or durability. It is the responsibility of the licensed installer to check the PN ratings marked on the fitting(s) and ensure that the pipe is compatible. Correct installation procedures should always be followed. The drawings, materials and specifications outlined are subject to change without notice due to the continuous improvements and development of our product range.

**FUSION QLD PTY LTD**

ABN: 42 987 067 369  
13 Vision Court, Noosaville, QLD, 4566  
42-44 South Link, Dandenong, VIC, 3175

**CONTACT**

T: +61 7 5474 3000 (Qld)  
T: +61 3 9037 4755 (Vic)  
E: sales@fusionqld.com.au  
W: fusionqld.com.au