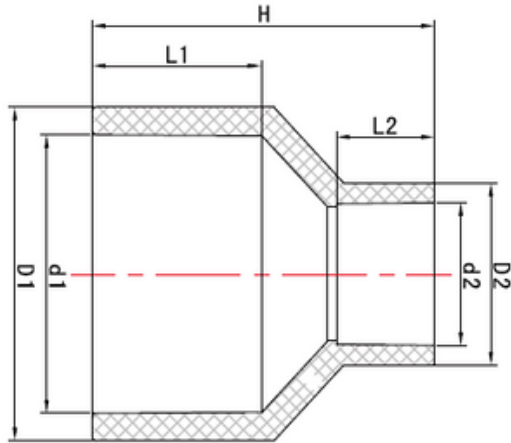


TECHNICAL DATA | CAT 8 uPVC REDUCING COUPLING

Size Range: 20mm x 15mm - 150mm x 125mm

Materials: uPVC



Size mm	D1 mm	d1	L1	D2	d2	L2	H	Pressure Rating	Code
20 x 15	33.6	27.2	22	27.3	21.7	20	51	PN18	TRC02015
25 x 15	40.6	34	24	27.3	22	20	53	PN18	TRC02515
25 x 20	40.6	34	24	33.6	27	22	55	PN18	TRC02520
32 x 20	50.7	42.7	29	33.6	27	22	62	PN18	TRC03220
32 x 25	50.7	42.7	29	40.6	34	24	64	PN18	TRC03225
40 x 15	58.3	48.7	32	27.3	22	20	66	PN18	TRC04015
40 x 20	58.3	48.7	32	33.6	27	22	68	PN18	TRC04020
40 x 25	58.3	48.7	32	40.6	34	24	70	PN18	TRC04025
40 x 32	58.3	48.7	32	50.7	43	29	76	PN18	TRC04032
50 x 20	70.8	60.8	38	40.6	34	24	80	PN18	TRC05020

The technical data within is not binding. It neither constitutes warranted characteristics nor guaranteed properties or durability. It is the responsibility of the licensed installer to check the PN ratings marked on the fitting(s) and ensure that the pipe is compatible. Correct installation procedures should always be followed. The drawings, materials and specifications outlined are subject to change without notice due to the continuous improvements and development of our product range.

FUSION QLD PTY LTD

ABN: 42 987 067 369
13 Vision Court, Noosaville, QLD, 4566
42-44 South Link, Dandenong, VIC, 3175

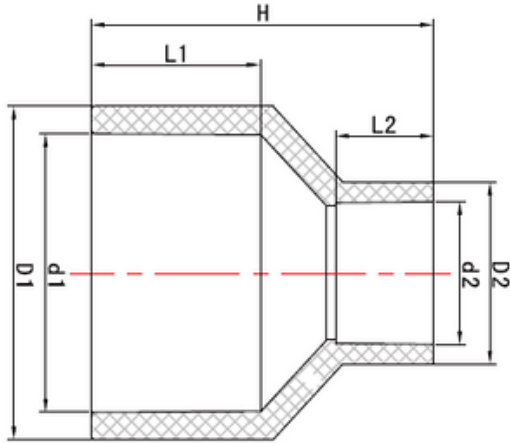
CONTACT

T: +61 7 5474 3000 (Qld)
T: +61 3 9037 4755 (Vic)
E: sales@fusionqld.com.au
W: fusionqld.com.au

TECHNICAL DATA | CAT 8 uPVC REDUCING COUPLING

Size Range: 20mm x 15mm - 150mm x 125mm

Materials: uPVC



Size mm	D1 mm	d1	L1	D2	d2	L2	H	Pressure Rating	Code
50 x 25	70.8	60.8	38	50.7	43	29	85	PN18	TRC05025
50 x 32	70.8	60.8	38	58.3	49	32	89	PN18	TRC05032
50 x 40	87.8	75.8	46	70.8	61	38	103	PN18	TRC05040
65 x 50	87.8	75.8	46	70.8	61	38	103	PN15	TRC06550
80 x 50	103.4	89.4	52	70.8	61	38	113	PN15	TRC08050
80 x 65	103.4	89.4	52	87.8	76	46	121	PN15	TRC08065
100 x 50	133	115	62	103.4	89	52	143	PN15	TRC10050
100 x 80	133	115	62	103.4	89	52	143	PN15	TRC10080
125 x 100	162.9	140.9	85	133	115	62	179	PN15	TRC125100
150 x 100	185	161	89	133	115	62	192	PN15	TRC150100
150 x 125	174	160	86	136	125	70	180	PN15	TRC150125

The technical data within is not binding. It neither constitutes warranted characteristics nor guaranteed properties or durability. It is the responsibility of the licensed installer to check the PN ratings marked on the fitting(s) and ensure that the pipe is compatible. Correct installation procedures should always be followed. The drawings, materials and specifications outlined are subject to change without notice due to the continuous improvements and development of our product range.

FUSION QLD PTY LTD

ABN: 42 987 067 369
13 Vision Court, Noosaville, QLD, 4566
42-44 South Link, Dandenong, VIC, 3175

CONTACT

T: +61 7 5474 3000 (Qld)
T: +61 3 9037 4755 (Vic)
E: sales@fusionqld.com.au
W: fusionqld.com.au