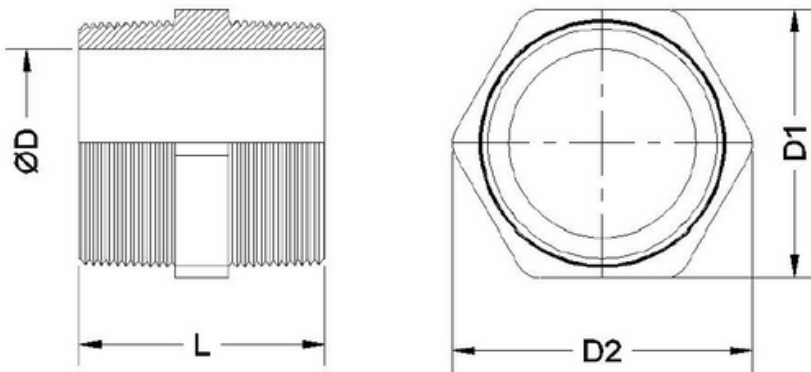


TECHNICAL DATA | uPVC HEX NIPPLE

Size Range: 15mm - 50mm

Materials: uPVC



Size mm	D mm	D1 mm	D2 mm	L mm	Code
15	14	24	26.8	38.4	THN015
20	18.7	30	33.7	41	THN020
25	24	36	40	45.6	THN025
32	31.2	46	51.6	51	THN032
40	36	55	61.6	51.2	THN040
50	45.7	65	73.2	59.8	THN050

The technical data within is not binding. It neither constitutes warranted characteristics nor guaranteed properties or durability. It is the responsibility of the licensed installer to check the PN ratings marked on the fitting(s) and ensure that the pipe is compatible. Correct installation procedures should always be followed. The drawings, materials and specifications outlined are subject to change without notice due to the continuous improvements and development of our product range.

FUSION QLD PTY LTD

ABN: 42 987 067 369
13 Vision Court, Noosaville, QLD, 4566
42-44 South Link, Dandenong, VIC, 3175

CONTACT

T: +61 7 5474 3000 (Qld)
T: +61 3 9037 4755 (Vic)
E: sales@fusionqld.com.au
W: fusionqld.com.au