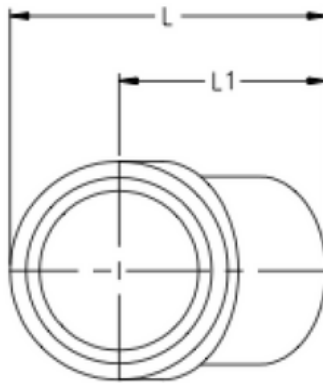
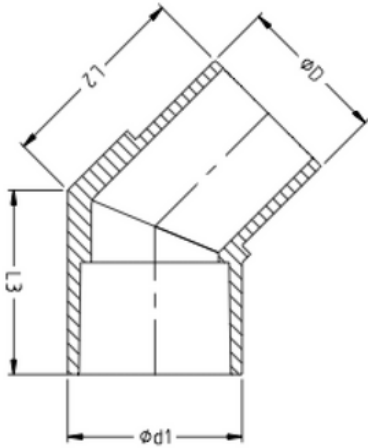


## TECHNICAL DATA | uPVC STREET ELBOW M&F

Size Range: 40mm x 45° - 50mm x 45°

Materials: uPVC



Size	DN mm	D mm	d1 mm	L mm	L1 mm	L2 mm	L3 mm	Pressure Rating	Code
40mm x 45°	40	48.25	56	81.2	53.2	62.85	59.2	PN18	TEMF4540
50mm x 45°	50	60.35	70.8	98.5	63.1	73.5	65.3	PN18	TEMF4550

The technical data within is not binding. It neither constitutes warranted characteristics nor guaranteed properties or durability. It is the responsibility of the licensed installer to check the PN ratings marked on the fitting(s) and ensure that the pipe is compatible. Correct installation procedures should always be followed. The drawings, materials and specifications outlined are subject to change without notice due to the continuous improvements and development of our product range.

**FUSION QLD PTY LTD**

ABN: 42 987 067 369  
13 Vision Court, Noosaville, QLD, 4566  
42-44 South Link, Dandenong, VIC, 3175

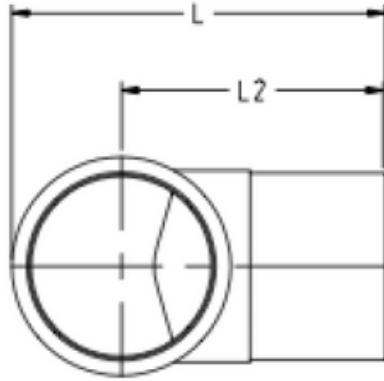
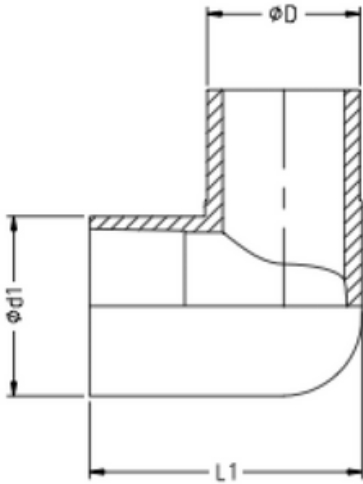
**CONTACT**

T: +61 7 5474 3000 (Qld)  
T: +61 3 9037 4755 (Vic)  
E: sales@fusionqld.com.au  
W: fusionqld.com.au

## TECHNICAL DATA | uPVC STREET ELBOW M&F

Size Range: 40mm x 90° - 50mm x 90°

Materials: uPVC



Size	DN mm	D mm	d1 mm	L mm	L1 mm	L2 mm	Pressure Rating	Code
40mm x 90°	40	48.25	56.6	96.6	86	67.8	PN18	TEMF9040
50mm x 90°	50	60.35	70.8	111.3	100	75.4	PN18	TEMF9050

The technical data within is not binding. It neither constitutes warranted characteristics nor guaranteed properties or durability. It is the responsibility of the licensed installer to check the PN ratings marked on the fitting(s) and ensure that the pipe is compatible. Correct installation procedures should always be followed. The drawings, materials and specifications outlined are subject to change without notice due to the continuous improvements and development of our product range.

**FUSION QLD PTY LTD**

ABN: 42 987 067 369  
13 Vision Court, Noosaville, QLD, 4566  
42-44 South Link, Dandenong, VIC, 3175

**CONTACT**

T: +61 7 5474 3000 (Qld)  
T: +61 3 9037 4755 (Vic)  
E: sales@fusionqld.com.au  
W: fusionqld.com.au