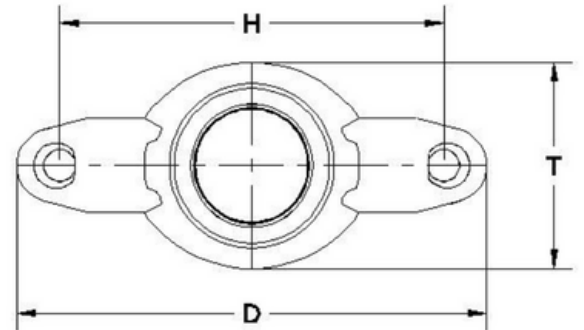
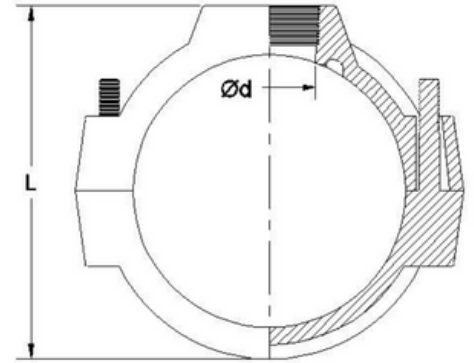


## TECHNICAL DATA | TAPPING BAND

Size Range: 80mm x 50mm - 250mm x 80mm  
 Body: BS401 Aluminium Alloy  
 Bolts: Hot Dipped Galvanised Steel  
 Materials: Sealing Rings: EPDM  
 Coating: Fusion Bonded Epoxy  
 Pressure Rating: 150 Psi  
 Thread: BSPT Thread  
 Recommended Bolt Torque: 15ft lbs / 20Nm Torque



Size mm	D mm	H mm	T mm	L mm	d mm	Code
<b>80 x 50</b>	151.1	112.1	97.4	133.55	54	TTB08050
<b>100 x 50</b>	178.5	137	103.5	163.25	54	TTB10050
<b>150 x 50</b>	229	188	100	208.25	54	TTB15050
<b>150 x 80</b>	229	188	127.5	229	72	TTB15080
<b>150 x 100</b>	229	188	152.3	242	100	TTB150100
<b>200 x 50</b>	303	258	104.5	279.55	54	TTB20050
<b>200 x 80</b>	303	258	143	284.55	72	TTB20080
<b>200 x 100</b>	303	258	167	297.55	105	TTB200100
<b>250 x 50</b>	370.8	320.8	111.75	347.8	54	TTB25050
<b>250 x 80</b>	370.8	320.8	140.75	347.8	72	TTB25080

The technical data within is not binding. It neither constitutes warranted characteristics nor guaranteed properties or durability. It is the responsibility of the licensed installer to check the PN ratings marked on the fitting(s) and ensure that the pipe is compatible. Correct installation procedures should always be followed. The drawings, materials and specifications outlined are subject to change without notice due to the continuous improvements and development of our product range.

**FUSION QLD PTY LTD**

ABN: 42 987 067 369  
 13 Vision Court, Noosaville, QLD, 4566  
 42-44 South Link, Dandenong, VIC, 3175

**CONTACT**

T: +61 7 5474 3000 (Qld)  
 T: +61 3 9037 4755 (Vic)  
 E: sales@fusionqld.com.au  
 W: fusionqld.com.au

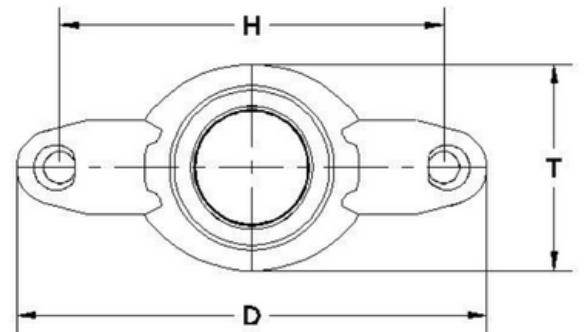
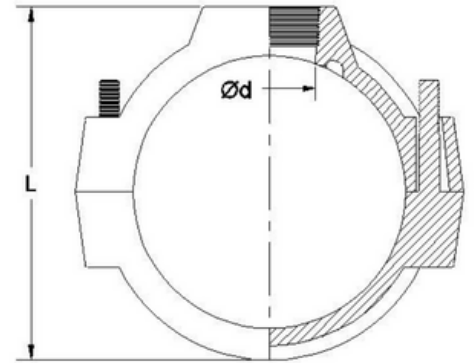
## TECHNICAL DATA | TAPPING BAND | COMPOSITE MATERIAL

Size Range: 50mm - 250mm

Materials: Body: Engineering Plastic uPVC and Fiberglass  
Bolts: Hot Dipped Galvanised Steel  
Sealing Rings: EPDM

Thread: BSPT Thread

Recommended Bolt Torque: 15ft lbs / 20Nm Torque



Size mm	D mm	H mm	T mm	L mm	d mm	PN Rating	Code
<b>80 x 50</b>	151.1	112.1	97.4	133.55	54	16	TTB08050
<b>100 x 50</b>	178.5	137	103.5	163.25	54	16	TTB10050
<b>150 x 50</b>	229	188	100	208.25	54	16	TTB15050
<b>150 x 80</b>	229	188	127.5	229	72	16	TTB15080
<b>150 x 100</b>	229	188	152.3	242	100	16	TTB150100
<b>200 x 50</b>	303	258	104.5	279.55	54	12	TTB20050
<b>200 x 80</b>	303	258	143	284.55	72	12	TTB20080
<b>200 x 100</b>	303	258	167	297.55	105	12	TTB200100
<b>250 x 50</b>	370.8	320.8	111.75	347.8	54	12	TTB25050
<b>250 x 80</b>	370.8	320.8	140.75	347.8	72	12	TTB25080

The technical data within is not binding. It neither constitutes warranted characteristics nor guaranteed properties or durability. It is the responsibility of the licensed installer to check the PN ratings marked on the fitting(s) and ensure that the pipe is compatible. Correct installation procedures should always be followed. The drawings, materials and specifications outlined are subject to change without notice due to the continuous improvements and development of our product range.

**FUSION QLD PTY LTD**

ABN: 42 987 067 369  
13 Vision Court, Noosaville, QLD, 4566  
42-44 South Link, Dandenong, VIC, 3175

**CONTACT**

T: +61 7 5474 3000 (Qld)  
T: +61 3 9037 4755 (Vic)  
E: sales@fusionqld.com.au  
W: fusionqld.com.au