

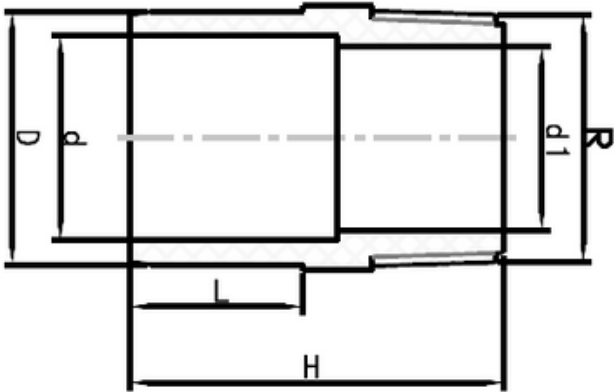
uPVC PRESSURE FITTINGS TECHNICAL DATA



TECHNICAL DATA | CAT 2 uPVC VALVE ADAPTOR

Size Range: 15mm - 80mm

Materials: uPVC



Size mm	D mm	d mm	d1 mm	L mm	H mm	R inch	Pressure Rating	Code
15	21.2	15.6	13.4	20	44	1/2"	PN18	TVA015
20	26.6	20.2	17.6	22	48	3/4"	PN18	TVA020
25	33.4	26.8	23.2	24	55.5	1"	PN18	TVA025
32	42.1	34.1	30.4	29	62.5	1 1/4"	PN18	TVA032
40	48.1	38.5	34.6	32	66	1 1/2"	PN18	TVA040
50	60.2	50.2	45.8	38	77	2"	PN18	TVA050
65	75.2	63.2	59.8	53	89	2 1/2"	PN15	TVA065
80	88.7	74.7	69.5	52	100	3"	PN15	TVA080

The technical data within is not binding. It neither constitutes warranted characteristics nor guaranteed properties or durability. It is the responsibility of the licensed installer to check the PN ratings marked on the fitting(s) and ensure that the pipe is compatible. Correct installation procedures should always be followed. The drawings, materials and specifications outlined are subject to change without notice due to the continuous improvements and development of our product range.

FUSION QLD PTY LTD

ABN: 42 987 067 369

13 Vision Court, Noosaville, QLD, 4566

42-44 South Link, Dandenong, VIC, 3175

CONTACT

T: +61 7 5474 3000 (Qld)

T: +61 3 9037 4755 (Vic)

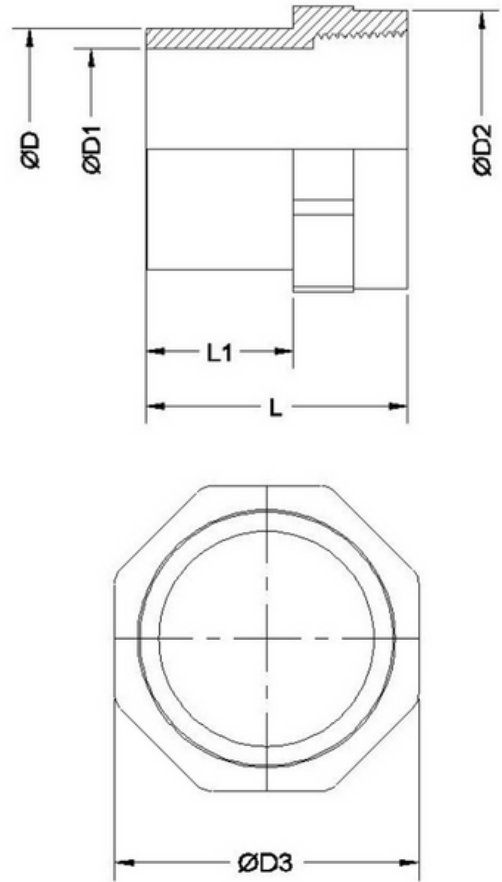
E: sales@fusionqld.com.au

W: fusionqld.com.au

TECHNICAL DATA | CAT 3 uPVC FAUCET ADAPTOR

Size Range: 15mm - 25mm x 20mm

Materials: uPVC



Size mm	D mm	D1 mm	D2 mm	D3 mm	L1 mm	L mm	Pressure Rating	Code
15	21.35	17.35	24.96	26	19.8	41.1	PN18	TFA015
20	26.75	21.95	31.24	32.25	21.7	45.3	PN18	TFA020
25	33.35	27.85	38.75	40.35	28.8	54.5	PN18	TFA025
32	42.25	35.35	48.81	50.40	28.9	51.9	PN18	TFA032
40	48.25	40.45	56.60	57.60	29.6	54.0	PN18	TFA040
50	60.35	50.45	69.51	71.50	36.5	65.2	PN18	TFA050
20 x 15	26.75	21.95	24.96	32.25	19.8	41.3	PN18	TFAR02015
25 x 20	33.35	27.85	24.96	40.35	24.1	47.1	PN18	TFAR02520

The technical data within is not binding. It neither constitutes warranted characteristics nor guaranteed properties or durability. It is the responsibility of the licensed installer to check the PN ratings marked on the fitting(s) and ensure that the pipe is compatible. Correct installation procedures should always be followed. The drawings, materials and specifications outlined are subject to change without notice due to the continuous improvements and development of our product range.

FUSION QLD PTY LTD

ABN: 42 987 067 369
13 Vision Court, Noosaville, QLD, 4566
42-44 South Link, Dandenong, VIC, 3175

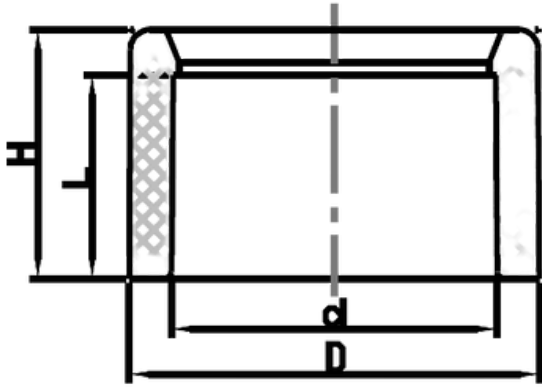
CONTACT

T: +61 7 5474 3000 (Qld)
T: +61 3 9037 4755 (Vic)
E: sales@fusionqld.com.au
W: fusionqld.com.au

TECHNICAL DATA | CAT 5 uPVC REDUCING BUSH

Size Range: 20mm x 15mm - 150mm x 100mm

Materials: uPVC



Size mm	D mm	d mm	L mm	H mm	Pressure Rating	Code
20 x 15	27.2	21.7	20	22	PN18	TRB02015
25 x 15	34	21.7	20	24	PN18	TRB02515
32 x 25	42.7	34	24	29	PN18	TRB03225
40 x 25	48.7	34	24	32	PN18	TRB04025
40 x 32	48.7	42.7	29	32	PN18	TRB04032
50 x 25	60.8	34	24	38	PN18	TRB05025
50 x 40	60.8	48.7	32	38	PN18	TRB05040
65 x 50	75.8	60.8	38	46	PN15	TRB06550
80 x 50	89.4	60.8	38	62	PN15	TRB08050
80 x 65	88.8	75.3	44.1	50.7	PN15	TRB08065
100 x 50	115	60.8	38	62	PN15	TRB10050
100 x 80	115	89.4	52	62	PN15	TRB10080
150 x 100	161	115	62	89	PN15	TRB150100

The technical data within is not binding. It neither constitutes warranted characteristics nor guaranteed properties or durability. It is the responsibility of the licensed installer to check the PN ratings marked on the fitting(s) and ensure that the pipe is compatible. Correct installation procedures should always be followed. The drawings, materials and specifications outlined are subject to change without notice due to the continuous improvements and development of our product range.

FUSION QLD PTY LTD

ABN: 42 987 067 369
13 Vision Court, Noosaville, QLD, 4566
42-44 South Link, Dandenong, VIC, 3175

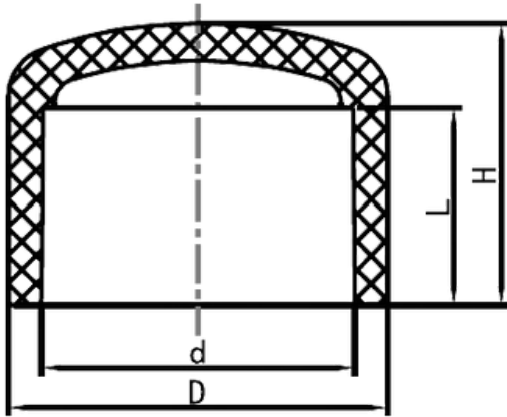
CONTACT

T: +61 7 5474 3000 (Qld)
T: +61 3 9037 4755 (Vic)
E: sales@fusionqld.com.au
W: fusionqld.com.au

TECHNICAL DATA | CAT 6 uPVC END CAP

Size Range: 15mm - 150mm

Materials: uPVC



Size mm	D mm	d mm	L mm	H mm	Pressure Rating	Code
15	27.3	21.7	20	28.77	PN18	TCAP015
20	33.6	27.2	22	32.4	PN18	TCAP020
25	40.6	34	24	35.3	PN18	TCAP025
32	50.7	42.7	29	42.38	PN18	TCAP032
40	58.3	48.7	32	47.06	PN18	TCAP040
50	70.8	60.8	38	54.88	PN18	TCAP050
65	87.4	75.8	46	65.87	PN15	TCAP065
80	103.4	89.4	52	76.14	PN15	TCAP080
100	133	115	62	92.87	PN15	TCAP100
125	162.9	140.9	85	122.1	PN15	TCAP125
150	185	161	89	130.02	PN15	TCAP150

The technical data within is not binding. It neither constitutes warranted characteristics nor guaranteed properties or durability. It is the responsibility of the licensed installer to check the PN ratings marked on the fitting(s) and ensure that the pipe is compatible. Correct installation procedures should always be followed. The drawings, materials and specifications outlined are subject to change without notice due to the continuous improvements and development of our product range.

FUSION QLD PTY LTD

ABN: 42 987 067 369
13 Vision Court, Noosaville, QLD, 4566
42-44 South Link, Dandenong, VIC, 3175

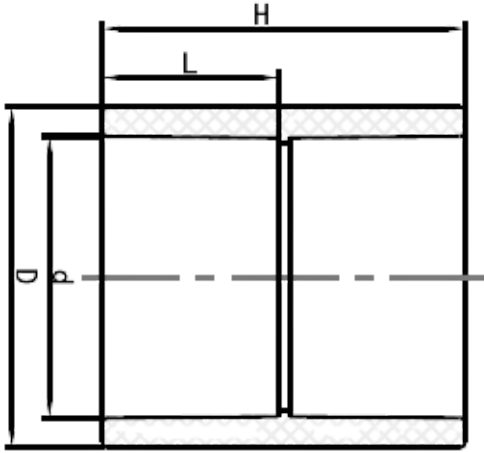
CONTACT

T: +61 7 5474 3000 (Qld)
T: +61 3 9037 4755 (Vic)
E: sales@fusionqld.com.au
W: fusionqld.com.au

TECHNICAL DATA | CAT 7 uPVC COUPLING

Size Range: 15mm - 150mm

Materials: uPVC



Size mm	D mm	d mm	L mm	H mm	Pressure Rating	Code
15	27.3	21.7	20	43	PN18	TCOUP015
20	33.6	27.2	22	47	PN18	TCOUP020
25	40.6	34	24	51	PN18	TCOUP025
32	50.7	42.7	29	61	PN18	TCOUP032
40	58.3	48.7	32	68	PN18	TCOUP040
50	70.8	60.8	38	80	PN18	TCOUP050
65	87.8	75.8	46	96	PN15	TCOUP065
80	103.4	89.4	52	108	PN15	TCOUP080
100	133	115	62	128	PN15	TCOUP100
125	158.9	140.6	75.8	160.8	PN15	TCOUP125
150	185	161	89	182	PN15	TCOUP150

The technical data within is not binding. It neither constitutes warranted characteristics nor guaranteed properties or durability. It is the responsibility of the licensed installer to check the PN ratings marked on the fitting(s) and ensure that the pipe is compatible. Correct installation procedures should always be followed. The drawings, materials and specifications outlined are subject to change without notice due to the continuous improvements and development of our product range.

FUSION QLD PTY LTD

ABN: 42 987 067 369
13 Vision Court, Noosaville, QLD, 4566
42-44 South Link, Dandenong, VIC, 3175

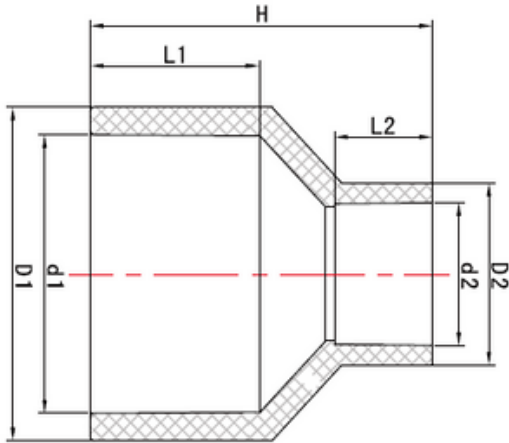
CONTACT

T: +61 7 5474 3000 (Qld)
T: +61 3 9037 4755 (Vic)
E: sales@fusionqld.com.au
W: fusionqld.com.au

TECHNICAL DATA | CAT 8 uPVC REDUCING COUPLING

Size Range: 20mm x 15mm - 150mm x 125mm

Materials: uPVC



Size mm	D1 mm	d1	L1	D2	d2	L2	H	Pressure Rating	Code
20 x 15	33.6	27.2	22	27.3	21.7	20	51	PN18	TRC02015
25 x 15	40.6	34	24	27.3	22	20	53	PN18	TRC02515
25 x 20	40.6	34	24	33.6	27	22	55	PN18	TRC02520
32 x 20	50.7	42.7	29	33.6	27	22	62	PN18	TRC03220
32 x 25	50.7	42.7	29	40.6	34	24	64	PN18	TRC03225
40 x 15	58.3	48.7	32	27.3	22	20	66	PN18	TRC04015
40 x 20	58.3	48.7	32	33.6	27	22	68	PN18	TRC04020
40 x 25	58.3	48.7	32	40.6	34	24	70	PN18	TRC04025
40 x 32	58.3	48.7	32	50.7	43	29	76	PN18	TRC04032
50 x 20	70.8	60.8	38	40.6	34	24	80	PN18	TRC05020

The technical data within is not binding. It neither constitutes warranted characteristics nor guaranteed properties or durability. It is the responsibility of the licensed installer to check the PN ratings marked on the fitting(s) and ensure that the pipe is compatible. Correct installation procedures should always be followed. The drawings, materials and specifications outlined are subject to change without notice due to the continuous improvements and development of our product range.

FUSION QLD PTY LTD

ABN: 42 987 067 369
13 Vision Court, Noosaville, QLD, 4566
42-44 South Link, Dandenong, VIC, 3175

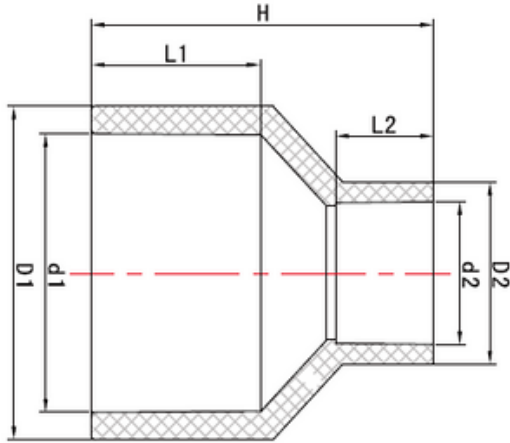
CONTACT

T: +61 7 5474 3000 (Qld)
T: +61 3 9037 4755 (Vic)
E: sales@fusionqld.com.au
W: fusionqld.com.au

TECHNICAL DATA | CAT 8 uPVC REDUCING COUPLING

Size Range: 20mm x 15mm - 150mm x 125mm

Materials: uPVC



Size mm	D1 mm	d1	L1	D2	d2	L2	H	Pressure Rating	Code
50 x 25	70.8	60.8	38	50.7	43	29	85	PN18	TRC05025
50 x 32	70.8	60.8	38	58.3	49	32	89	PN18	TRC05032
50 x 40	87.8	75.8	46	70.8	61	38	103	PN18	TRC05040
65 x 50	87.8	75.8	46	70.8	61	38	103	PN15	TRC06550
80 x 50	103.4	89.4	52	70.8	61	38	113	PN15	TRC08050
80 x 65	103.4	89.4	52	87.8	76	46	121	PN15	TRC08065
100 x 50	133	115	62	103.4	89	52	143	PN15	TRC10050
100 x 80	133	115	62	103.4	89	52	143	PN15	TRC10080
125 x 100	162.9	140.9	85	133	115	62	179	PN15	TRC125100
150 x 100	185	161	89	133	115	62	192	PN15	TRC150100
150 x 125	174	160	86	136	125	70	180	PN15	TRC150125

The technical data within is not binding. It neither constitutes warranted characteristics nor guaranteed properties or durability. It is the responsibility of the licensed installer to check the PN ratings marked on the fitting(s) and ensure that the pipe is compatible. Correct installation procedures should always be followed. The drawings, materials and specifications outlined are subject to change without notice due to the continuous improvements and development of our product range.

FUSION QLD PTY LTD

ABN: 42 987 067 369
13 Vision Court, Noosaville, QLD, 4566
42-44 South Link, Dandenong, VIC, 3175

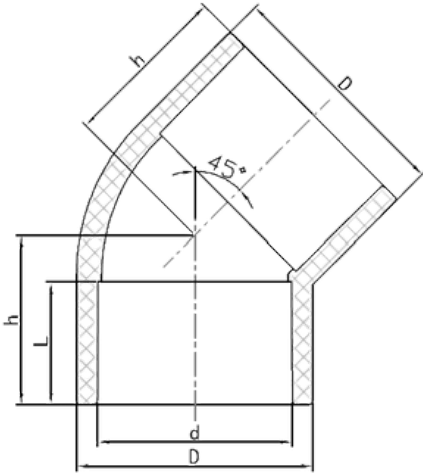
CONTACT

T: +61 7 5474 3000 (Qld)
T: +61 3 9037 4755 (Vic)
E: sales@fusionqld.com.au
W: fusionqld.com.au

TECHNICAL DATA | CAT 10 uPVC 45° ELBOW

Size Range: 15mm - 150mm

Materials: uPVC



Size mm	D mm	d mm	L	h	Pressure Rating	Code
15	27.3	21.7	20	27.12	PN18	TE45015
20	33.6	27.2	22	29.97	PN18	TE45020
25	40.6	58.3	48.7	32	PN18	TE45025
32	50.7	42.7	29	40.10	PN18	TE45032
40	58.3	48.7	32	45.05	PN18	TE45040
50	70.8	60.8	38	53.6	PN18	TE45050
65	87.8	75.8	46	64.7	PN15	TE45065
80	103.4	89.4	52	73.48	PN15	TE45080
100	133	115	62	88.57	PN15	TE45100
125	159.2	140.6	76.2	105.4	PN15	TE45125
150	185	161	89	125.10	PN15	TE45150

The technical data within is not binding. It neither constitutes warranted characteristics nor guaranteed properties or durability. It is the responsibility of the licensed installer to check the PN ratings marked on the fitting(s) and ensure that the pipe is compatible. Correct installation procedures should always be followed. The drawings, materials and specifications outlined are subject to change without notice due to the continuous improvements and development of our product range.

FUSION QLD PTY LTD

ABN: 42 987 067 369
13 Vision Court, Noosaville, QLD, 4566
42-44 South Link, Dandenong, VIC, 3175

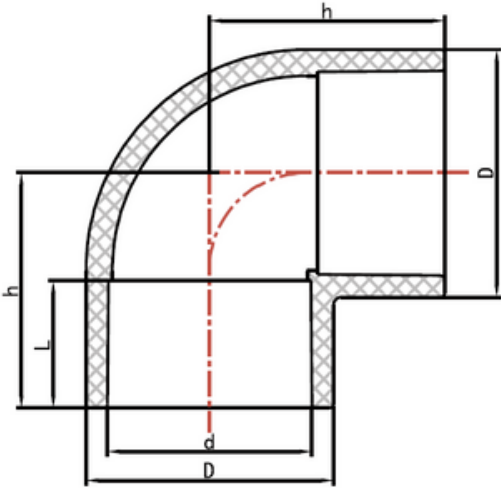
CONTACT

T: +61 7 5474 3000 (Qld)
T: +61 3 9037 4755 (Vic)
E: sales@fusionqld.com.au
W: fusionqld.com.au

TECHNICAL DATA | CAT 13 uPVC 90° ELBOW

Size Range: 15mm - 150mm

Materials: uPVC



Size mm	D mm	d mm	L	h	Pressure Rating	Code
15	27.3	21.7	20	33	PN18	TE90015
20	33.6	27.2	22	37.5	PN18	TE90020
25	40.6	34	24	43	PN18	TE90025
32	50.7	42.7	29	52.5	PN18	TE90032
40	58.3	48.7	32	59.1	PN18	TE90040
50	70.8	60.8	38	71.4	PN18	TE90050
65	87.8	75.8	46	86.9	PN15	TE90065
80	103.4	89.4	52	100.2	PN15	TE90080
100	133	115	62	123	PN15	TE90100
125	158.5	140.3	76.3	134.9	PN12	TE90125
150	185	161	89	173.5	PN15	TE90150

The technical data within is not binding. It neither constitutes warranted characteristics nor guaranteed properties or durability. It is the responsibility of the licensed installer to check the PN ratings marked on the fitting(s) and ensure that the pipe is compatible. Correct installation procedures should always be followed. The drawings, materials and specifications outlined are subject to change without notice due to the continuous improvements and development of our product range.

FUSION QLD PTY LTD

ABN: 42 987 067 369
13 Vision Court, Noosaville, QLD, 4566
42-44 South Link, Dandenong, VIC, 3175

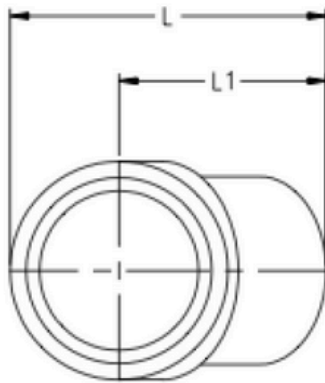
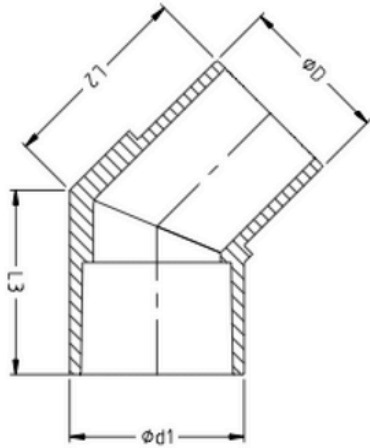
CONTACT

T: +61 7 5474 3000 (Qld)
T: +61 3 9037 4755 (Vic)
E: sales@fusionqld.com.au
W: fusionqld.com.au

TECHNICAL DATA | uPVC STREET ELBOW M&F

Size Range: 40mm x 45° - 50mm x 45°

Materials: uPVC



Size	DN mm	D mm	d1 mm	L mm	L1 mm	L2 mm	L3 mm	Pressure Rating	Code
40mm x 45°	40	48.25	56	81.2	53.2	62.85	59.2	PN18	TEMF4540
50mm x 45°	50	60.35	70.8	98.5	63.1	73.5	65.3	PN18	TEMF4550

The technical data within is not binding. It neither constitutes warranted characteristics nor guaranteed properties or durability. It is the responsibility of the licensed installer to check the PN ratings marked on the fitting(s) and ensure that the pipe is compatible. Correct installation procedures should always be followed. The drawings, materials and specifications outlined are subject to change without notice due to the continuous improvements and development of our product range.

FUSION QLD PTY LTD

ABN: 42 987 067 369
13 Vision Court, Noosaville, QLD, 4566
42-44 South Link, Dandenong, VIC, 3175

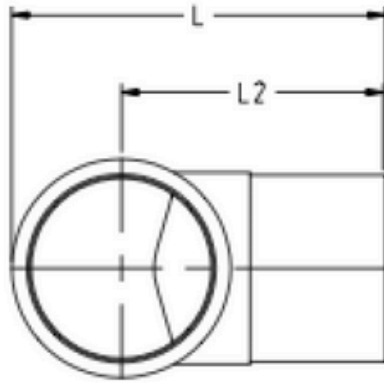
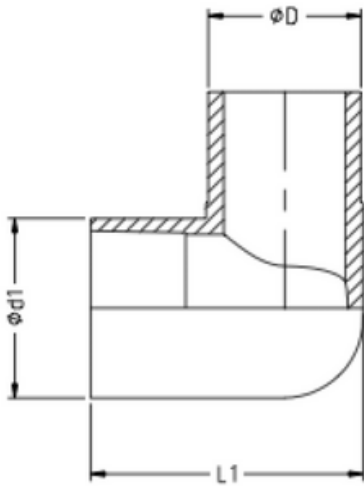
CONTACT

T: +61 7 5474 3000 (Qld)
T: +61 3 9037 4755 (Vic)
E: sales@fusionqld.com.au
W: fusionqld.com.au

TECHNICAL DATA | uPVC STREET ELBOW M&F

Size Range: 40mm x 90° - 50mm x 90°

Materials: uPVC



Size	DN mm	D mm	d1 mm	L mm	L1 mm	L2 mm	Pressure Rating	Code
40mm x 90°	40	48.25	56.6	96.6	86	67.8	PN18	TEMF9040
50mm x 90°	50	60.35	70.8	111.3	100	75.4	PN18	TEMF9050

The technical data within is not binding. It neither constitutes warranted characteristics nor guaranteed properties or durability. It is the responsibility of the licensed installer to check the PN ratings marked on the fitting(s) and ensure that the pipe is compatible. Correct installation procedures should always be followed. The drawings, materials and specifications outlined are subject to change without notice due to the continuous improvements and development of our product range.

FUSION QLD PTY LTD

ABN: 42 987 067 369
13 Vision Court, Noosaville, QLD, 4566
42-44 South Link, Dandenong, VIC, 3175

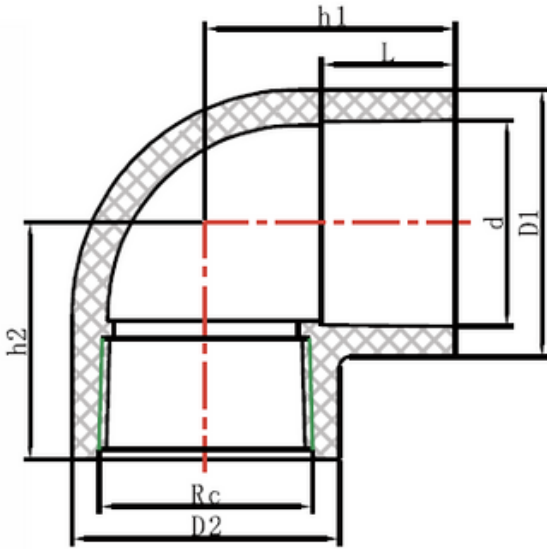
CONTACT

T: +61 7 5474 3000 (Qld)
T: +61 3 9037 4755 (Vic)
E: sales@fusionqld.com.au
W: fusionqld.com.au

TECHNICAL DATA | uPVC CAT 15 FAUCET ELBOW

Size Range: 15mm x 1/2" - 40mm x 1 1/2"

Materials: uPVC



Size mm x inch	D1 mm	D2 mm	d mm	L mm	h1 mm	h2 mm	Rc inch	Pressure Rating	Code
15mm x 1/2"	28.3	28.3	19.9	20	31	31	1/2"	PN15	TEF01512
20mm x 1/2"	33.6	28.3	27.2	22	34	33	1/2"	PN15	TEF02012
20mm x 3/4"	34.6	34.6	27.2	22	36	36	3/4"	PN15	TEF02034
25mm x 1/2"	40.6	28.3	34	24	37	37	1/2"	PN15	TEF02512
25mm x 3/4"	40.6	34.6	34	24	39	39	3/4"	PN15	TEF02534
25mm x 1"	41.6	41.6	34	24	42	42	1"	PN15	TEF0251
32mm x 1 1/4"	51.7	51.7	42.7	29	51	48	1 1/4"	PN15	TEF032114
40mm x 1 1/2"	59.3	59.3	48.7	32	57	51	1 1/2"	PN15	TEF040112

The technical data within is not binding. It neither constitutes warranted characteristics nor guaranteed properties or durability. It is the responsibility of the licensed installer to check the PN ratings marked on the fitting(s) and ensure that the pipe is compatible. Correct installation procedures should always be followed. The drawings, materials and specifications outlined are subject to change without notice due to the continuous improvements and development of our product range.

FUSION QLD PTY LTD

ABN: 42 987 067 369
13 Vision Court, Noosaville, QLD, 4566
42-44 South Link, Dandenong, VIC, 3175

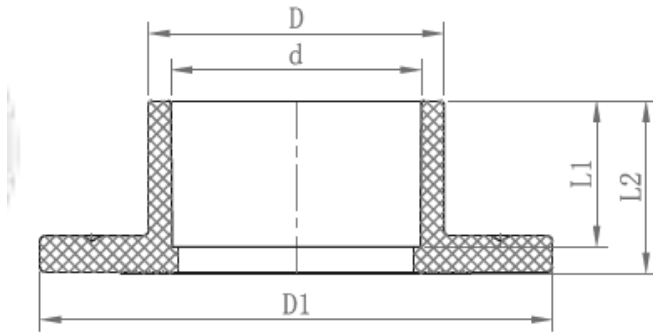
CONTACT

T: +61 7 5474 3000 (Qld)
T: +61 3 9037 4755 (Vic)
E: sales@fusionqld.com.au
W: fusionqld.com.au

TECHNICAL DATA | uPVC CAT 16 FULL FACED FLANGE | UNDRILLED

Size Range: 25mm - 150mm

Materials: uPVC



Size mm	D1 mm	D mm	d mm	L1 mm	L2 mm	Pressure Rating	Code
25	124.3	43.2	34.1	47.5	39.4	PN18	TFF025
32	134.8	48.8	38.2	44.9	50.3	PN18	TFF032
40	140.9	65.4	48.4	34.31	38.7	PN18	TFF040
50	149.4	71.6	60.8	38	47	PN18	TFF050
65	165	89.4	79.8	46	54	PN18	TFF065
80	183	105.4	89.4	52	61.5	PN18	TFF080
100	213.5	135.6	115	62	71	PN18	TFF100
150	279.5	190	161	89	101	PN18	TFF150

The technical data within is not binding. It neither constitutes warranted characteristics nor guaranteed properties or durability. It is the responsibility of the licensed installer to check the PN ratings marked on the fitting(s) and ensure that the pipe is compatible. Correct installation procedures should always be followed. The drawings, materials and specifications outlined are subject to change without notice due to the continuous improvements and development of our product range.

FUSION QLD PTY LTD

ABN: 42 987 067 369
13 Vision Court, Noosaville, QLD, 4566
42-44 South Link, Dandenong, VIC, 3175

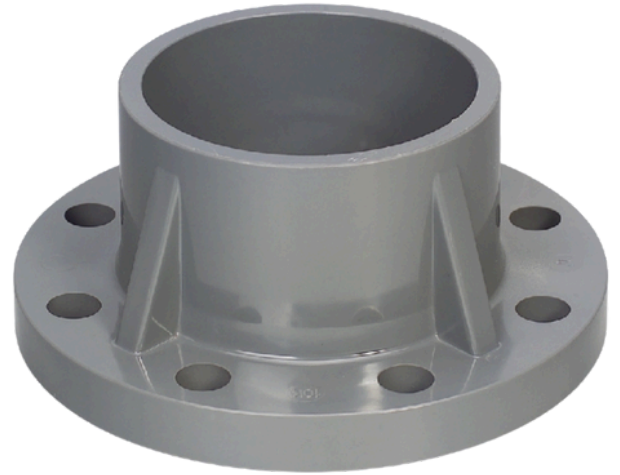
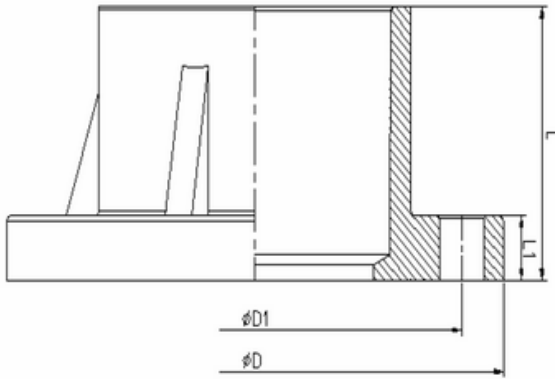
CONTACT

T: +61 7 5474 3000 (Qld)
T: +61 3 9037 4755 (Vic)
E: sales@fusionqld.com.au
W: fusionqld.com.au

TECHNICAL DATA | uPVC CAT 16 FULL FACED FLANGE | DRILLED

Size Range: 15mm - 150mm

Materials: uPVC



Size mm	D mm	D1 mm	L mm	L1 mm	Pressure Rating	Code
15	95	70	35	14	PN18	TF015
20	100	75	40	15	PN18	TF020
25	125	90	45	15	PN18	TF025
32	135	100	50.5	18	PN18	TF032
40	140	105	61.5	18	PN18	TF040
50	155	120	71	20	PN18	TF050
65	175	140	70	22	PN15	TF065
80	185	150	73	22	PN15	TF080
100	210	175	93	22	PN15	TF100
125	250	210	114	23	PN15	TF125
150	280	240	141	26	PN15	TF150

The technical data within is not binding. It neither constitutes warranted characteristics nor guaranteed properties or durability. It is the responsibility of the licensed installer to check the PN ratings marked on the fitting(s) and ensure that the pipe is compatible. Correct installation procedures should always be followed. The drawings, materials and specifications outlined are subject to change without notice due to the continuous improvements and development of our product range.

FUSION QLD PTY LTD

ABN: 42 987 067 369
13 Vision Court, Noosaville, QLD, 4566
42-44 South Link, Dandenong, VIC, 3175

CONTACT

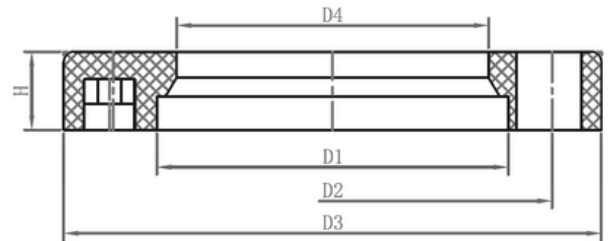
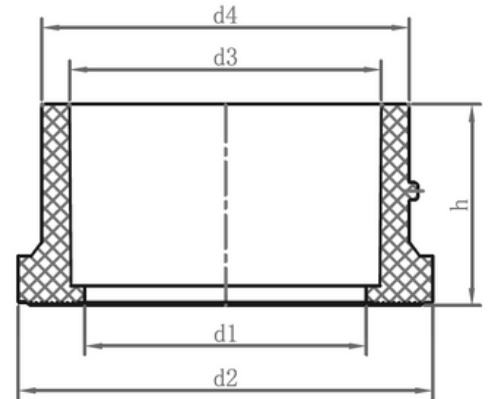
T: +61 7 5474 3000 (Qld)
T: +61 3 9037 4755 (Vic)
E: sales@fusionqld.com.au
W: fusionqld.com.au

TECHNICAL DATA | uPVC VAN STONE FLANGE

Size Range: 80mm - 150mm

Materials: uPVC

Pressure Rating: PN15



Size mm	d1 mm	d2 mm	d3 mm	d4 mm	h mm	D1 mm	D2 mm	D3 mm	D4 mm	H mm	Code
80	80.8	118.8	89.4	105.4	57.6	121	151	185	107.4	27	TFLR080
100	107	151	115	135.6	69	153	183	230	137.6	30	TFLR100
150	155	208	161	190	97	209.8	239.3	292.8	192	32	TFLR150

The technical data within is not binding. It neither constitutes warranted characteristics nor guaranteed properties or durability. It is the responsibility of the licensed installer to check the PN ratings marked on the fitting(s) and ensure that the pipe is compatible. Correct installation procedures should always be followed. The drawings, materials and specifications outlined are subject to change without notice due to the continuous improvements and development of our product range.

FUSION QLD PTY LTD

ABN: 42 987 067 369
13 Vision Court, Noosaville, QLD, 4566
42-44 South Link, Dandenong, VIC, 3175

CONTACT

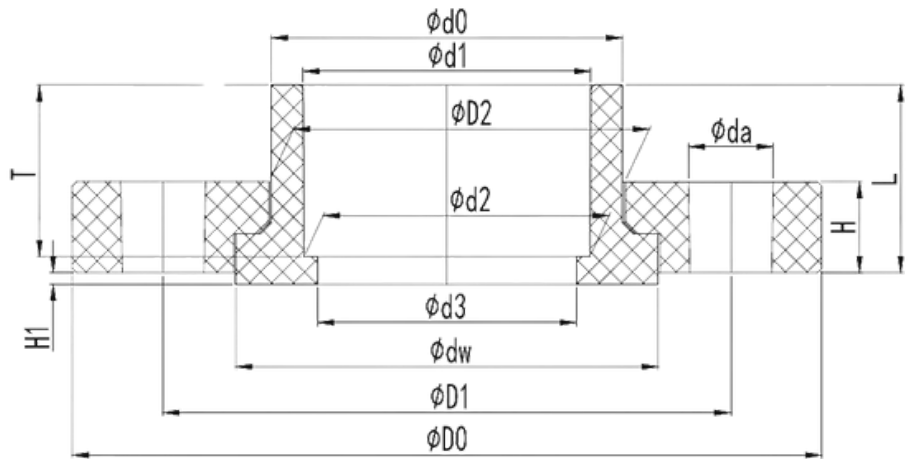
T: +61 7 5474 3000 (Qld)
T: +61 3 9037 4755 (Vic)
E: sales@fusionqld.com.au
W: fusionqld.com.au

TECHNICAL DATA | uPVC VAN STONE FLANGE

Size Range: 15mm - 125mm

Materials: uPVC

Pressure Rating: 15mm - 50mm PN18, 65mm and 125mm PN15



Size mm	D0 mm	D1 mm	D2 mm	d0 mm	d1 mm	d2 mm	d3 mm	dw mm	da mm	T mm	H1 mm	H mm	L mm	Code
15	89	61	31	30.5	21.54	21.23	16	37.6	16	23.22	2.5	13	24.72	TFLR015
20	98	70	37.9	36.9	26.87	26.57	20.6	47	16	26.4	2.5	14	27.9	TFLR020
25	108	79	45.7	44.7	33.66	33.27	27	56	16	29.58	2.5	15	31.08	TFLR025
32	117	89	55	54	42.42	42.04	36	64	16	32.75	2.5	15	35.25	TFLR032
40	127	98	62.6	61.6	50.46	50.46	45	72.4	16	35.93	2.5	18	38.43	TFLR040
50	152	121	74.1	73.1	60.63	60.17	52.5	88.5	19	39.1	2.5	20	42.6	TLFR050
65	185	145	91.40	90.40	75.40	74.90	69	110	18	43.7	2.5	23	47.2	TFLR065
125	250	210	162.3	161.3	140.75	139.9	131.5	181	18	76.2	2.5	30	81.7	TFLR125

The technical data within is not binding. It neither constitutes warranted characteristics nor guaranteed properties or durability. It is the responsibility of the licensed installer to check the PN ratings marked on the fitting(s) and ensure that the pipe is compatible. Correct installation procedures should always be followed. The drawings, materials and specifications outlined are subject to change without notice due to the continuous improvements and development of our product range.

FUSION QLD PTY LTD

ABN: 42 987 067 369
13 Vision Court, Noosaville, QLD, 4566
42-44 South Link, Dandenong, VIC, 3175

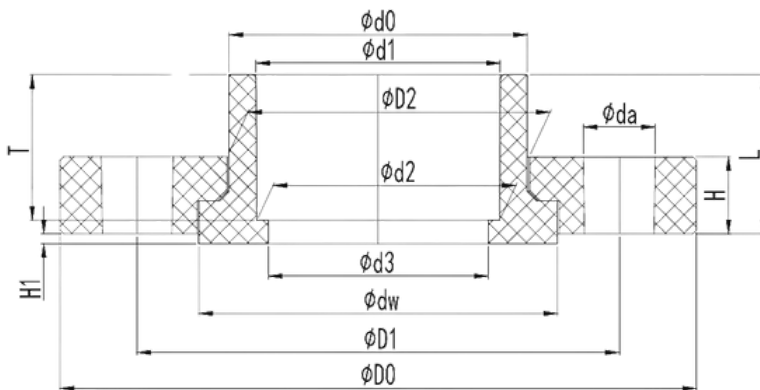
CONTACT

T: +61 7 5474 3000 (Qld)
T: +61 3 9037 4755 (Vic)
E: sales@fusionqld.com.au
W: fusionqld.com.au

TECHNICAL DATA | uPVC VAN STONE FLANGE | MULTIDRILLED

Size Range: 80mm - 150mm

Materials: uPVC



Size mm	D0 mm	D1 mm	D2 mm	d0 mm	d1 mm	d2 mm	d3 mm	dw mm	da mm	T mm	H mm	L mm	PN	Code
80	185.4	146	104.9	104.8	89.3	89.3	81.5	118.3	18	48.8	27	54.2	18	TFLR080T
100	229.9	178	131.9	131.8	114.4	114.4	104.6	150.7	18	58.6	29.6	64.7	18	TFLR100T
125	260.6	210	161.6	161.6	140.6	140.6	130.1	181.7	22	70.3	28.9	81.1	15	TFLR125T
150	292.8	235	191.2	191.4	160.6	160.6	156.2	207.6	22	78.1	32.6	87.5	12	TFLR150T
200	351	292.9	246.1	247	226.4	226.4	217.5	258.9	23	117.7	35.5	126.7	12	TFLR200T
225	410	364	310	308	251	250	232	321	230	143.5	41.5	153.5	20	TFLR225T
250	414	360.4	307.5	308	281.9	281.9	272.2	325	26.5	144.5	42.1	155.1	12	TFLR250T
300	485.1	413	364	365	318	318	304.7	376	38.1	163.5	44.9	176.7	12	TFLR300T

The technical data within is not binding. It neither constitutes warranted characteristics nor guaranteed properties or durability. It is the responsibility of the licensed installer to check the PN ratings marked on the fitting(s) and ensure that the pipe is compatible. Correct installation procedures should always be followed. The drawings, materials and specifications outlined are subject to change without notice due to the continuous improvements and development of our product range.

FUSION QLD PTY LTD

ABN: 42 987 067 369
13 Vision Court, Noosaville, QLD, 4566
42-44 South Link, Dandenong, VIC, 3175

CONTACT

T: +61 7 5474 3000 (Qld)
T: +61 3 9037 4755 (Vic)
E: sales@fusionqld.com.au
W: fusionqld.com.au

TECHNICAL DATA | uPVC BLIND FLANGE | DRILLED

Size Range: 25mm - 150mm

Materials: uPVC



Size mm	D0 mm	d1 mm	Da mm	H mm	Pressure Rating	Code
25	115	85	14	14	PN16	TFB025
32	140	100	18	14.4	PN16	TFB032
40	150	110	18	16.4	PN16	TFB040
50	165	125	18	16.2	PN16	TFB050
65	185	145	18	17.5	PN16	TFB065
80	200	160	18	18	PN16	TFB080
100	220	180	18	22	PN16	TFB100
150	285	240	22	28	PN16	TFB150

The technical data within is not binding. It neither constitutes warranted characteristics nor guaranteed properties or durability. It is the responsibility of the licensed installer to check the PN ratings marked on the fitting(s) and ensure that the pipe is compatible. Correct installation procedures should always be followed. The drawings, materials and specifications outlined are subject to change without notice due to the continuous improvements and development of our product range.

FUSION QLD PTY LTD

ABN: 42 987 067 369
13 Vision Court, Noosaville, QLD, 4566
42-44 South Link, Dandenong, VIC, 3175

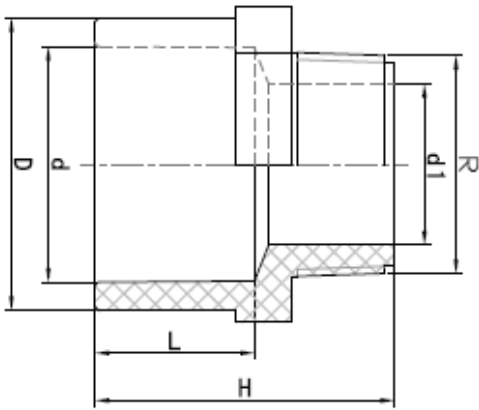
CONTACT

T: +61 7 5474 3000 (Qld)
T: +61 3 9037 4755 (Vic)
E: sales@fusionqld.com.au
W: fusionqld.com.au

TECHNICAL DATA | uPVC CAT 17 VALVE SOCKET

Size Range: 15mm - 150mm

Materials: uPVC



Size mm	D mm	d mm	d1 mm	L mm	H mm	R inch	Pressure Rating	Code
15	27.3	21.7	13.4	20	40	1/2"	PN18	TVS015
20	33.6	27.2	17.6	22	45	3/4"	PN18	TVS020
25	40.6	34	23.2	24	49	1"	PN18	TVS025
32	50.7	42.7	30.4	29	57	1 1/4"	PN18	TVS032
40	58.3	48.7	34.6	32	60	1 1/2"	PN18	TVS040
50	70.8	60.8	45.8	38	69	2"	PN18	TVS050
65	87.8	75.8	59/8	46	82	2 1/2"	PN15	TVS065
80	103.4	89.4	69.5	52	94	3"	PN15	TVS080
100	133	115	90.4	62	112	4"	PN15	TVS100
150	186.4	161.1	133.7	85.2	139.5	6"	PN15	TVS150
20 x 25	33.5	27	24.1	21	48.2	1"	PN18	TVSR02025

The technical data within is not binding. It neither constitutes warranted characteristics nor guaranteed properties or durability. It is the responsibility of the licensed installer to check the PN ratings marked on the fitting(s) and ensure that the pipe is compatible. Correct installation procedures should always be followed. The drawings, materials and specifications outlined are subject to change without notice due to the continuous improvements and development of our product range.

FUSION QLD PTY LTD

ABN: 42 987 067 369
13 Vision Court, Noosaville, QLD, 4566
42-44 South Link, Dandenong, VIC, 3175

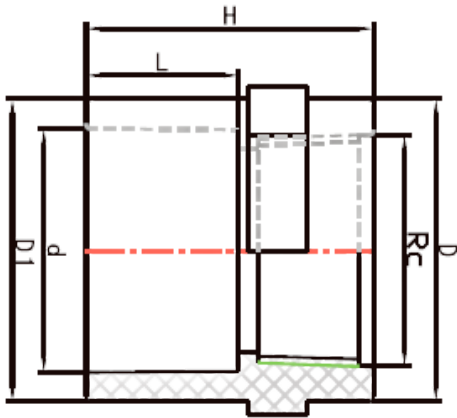
CONTACT

T: +61 7 5474 3000 (Qld)
T: +61 3 9037 4755 (Vic)
E: sales@fusionqld.com.au
W: fusionqld.com.au

TECHNICAL DATA | uPVC CAT 18 FAUCET SOCKET

Size Range: 15mm - 150mm

Materials: uPVC



Size mm	D mm	D1 mm	d mm	L mm	H mm	Rc inch	Pressure Rating	Code
15	28.3	28.3	21.7	20	41	1/2"	PN18	TFS015
20	34.6	34.6	27.2	22	45	3/4"	PN18	TFS020
25	34.6	41.6	34	24	47	3/4"	PN18	TFS025
32	51.7	51.7	42.7	29	56	1 1/4"	PN18	TFS032
40	59.3	59.3	48.7	32	60	1 1/2 "	PN18	TFS040
50	71.8	71.8	60.8	38	69	2"	PN18	TFS050
65	88.8	88.8	75.8	46	80.5	2 1/2"	PN15	TFS065
80	104.4	104.4	89.4	52	90	3"	PN15	TFS080
100	134	134	115	62	106	4"	PN15	TFS100
150	186.3	186.3	161.5	86.7	181.3	6"	PN15	TFS150
20mm x 1/2"	29	35	26.8	25.6	49.7	1/2"	PN18	TFSR02015
25mm x 1/2"	28.3	41.6	34	24	47	1/2"	PN18	TFSR02515

The technical data within is not binding. It neither constitutes warranted characteristics nor guaranteed properties or durability. It is the responsibility of the licensed installer to check the PN ratings marked on the fitting(s) and ensure that the pipe is compatible. Correct installation procedures should always be followed. The drawings, materials and specifications outlined are subject to change without notice due to the continuous improvements and development of our product range.

FUSION QLD PTY LTD

ABN: 42 987 067 369
13 Vision Court, Noosaville, QLD, 4566
42-44 South Link, Dandenong, VIC, 3175

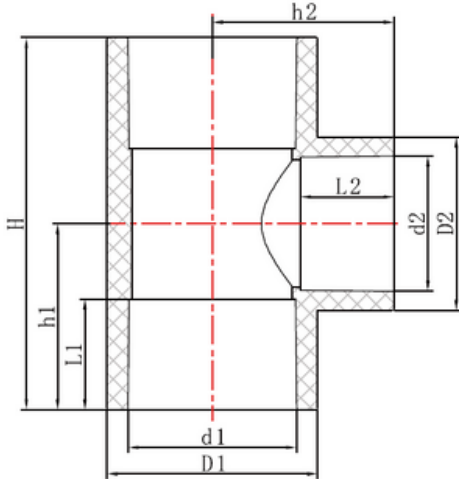
CONTACT

T: +61 7 5474 3000 (Qld)
T: +61 3 9037 4755 (Vic)
E: sales@fusionqld.com.au
W: fusionqld.com.au

TECHNICAL DATA | uPVC CAT 19 REDUCING TEE

Size Range: 20mm x 15mm - 150mm x 100mm

Materials: uPVC



Size mm	D1 mm	d1 mm	L1 mm	h1 mm	D2 mm	d2 mm	L2 mm	H2 mm	H mm	Pressure Rating	Code
20 x 15	33.6	27.2	22	31.95	27	22	20	35	70	PN18	TTR02015
25 x 15	41	33.6	28	40	27.8	21.5	19.8	36.8	80.7	PN18	TTR02515
25 x 20	40.6	34	24	39.5	34	27	22	41	79	PN18	TTR02520
32 x 15	50	42.4	29.1	41	27.8	21.4	19.7	41.7	83.3	PN18	TTR03215
32 x 20	50.7	42.7	29	44.5	34	27	22	45	89	PN18	TTR03220
32 x 25	50.7	42.7	29	48	41	34	24	48	96	PN18	TTR03225
40 x 15	58.3	48.7	32	45.95	27	22	20	47	92	PN18	TTR04015
40 x 20	58.3	48.7	32	48	34	27	22	48	96	PN18	TTR04020
40 x 25	58.3	48.7	32	51.5	41	34	51	51	103	PN18	TTR04025
40 x 32	56.7	48.3	34.2	57.5	51	42.3	28.8	53.9	113.4	PN18	TTR04032
50 x 20	70.8	60.8	38	54	34	27	22	55	108	PN18	TTR05020

The technical data within is not binding. It neither constitutes warranted characteristics nor guaranteed properties or durability. It is the responsibility of the licensed installer to check the PN ratings marked on the fitting(s) and ensure that the pipe is compatible. Correct installation procedures should always be followed. The drawings, materials and specifications outlined are subject to change without notice due to the continuous improvements and development of our product range.

FUSION QLD PTY LTD

ABN: 42 987 067 369
13 Vision Court, Noosaville, QLD, 4566
42-44 South Link, Dandenong, VIC, 3175

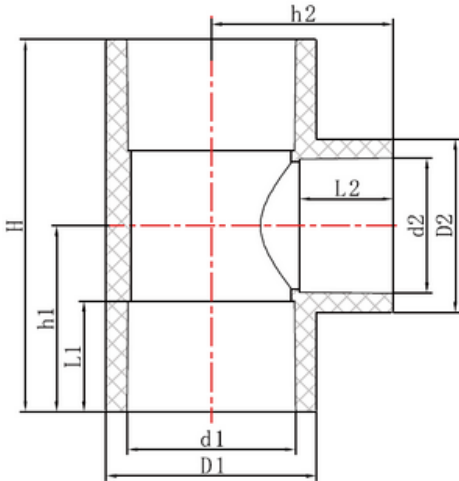
CONTACT

T: +61 7 5474 3000 (Qld)
T: +61 3 9037 4755 (Vic)
E: sales@fusionqld.com.au
W: fusionqld.com.au

TECHNICAL DATA | uPVC CAT 19 REDUCING TEE

Size Range: 20mm x 15mm - 150mm x 100mm

Materials: uPVC



Size mm	D1 mm	d1 mm	L1 mm	h1 mm	D2 mm	d2 mm	L2 mm	H2 mm	H mm	Pressure Rating	Code
50 x 25	70.8	60.8	38	57.5	41	34	24	57	115	PN18	TTR05025
50 x 40	70.8	60.8	38	65.15	58	49	32	65	130	PN18	TTR05040
65 x 50	87.8	75.8	46	79.2	71	61	38	79	158	PN15	TTR06550
80 x 25	103.4	89.4	52	72.5	41	34	24	71	145	PN15	TTR08025
80 x 40	103.4	89.4	52	80.15	58	49	32	80	160	PN15	TTR08040
80 x 50	103.4	89.4	52	86.2	71	61	38	86	172	PN15	TTR08050
80 x 65	106.2	89.4	50.5	89.4	89.2	75.5	44.4	90.4	178.8	PN15	TTR08065
100 x 50	133	115	62	96.2	71	61	38	98	192	PN15	TTR10050
100 x 80	133	115	62	111.2	103	89	52	112	222	PN15	TTR10080
150 x 100	185	161	89	151	133	115	62	146	302	PN15	TTR150100

The technical data within is not binding. It neither constitutes warranted characteristics nor guaranteed properties or durability. It is the responsibility of the licensed installer to check the PN ratings marked on the fitting(s) and ensure that the pipe is compatible. Correct installation procedures should always be followed. The drawings, materials and specifications outlined are subject to change without notice due to the continuous improvements and development of our product range.

FUSION QLD PTY LTD

ABN: 42 987 067 369
13 Vision Court, Noosaville, QLD, 4566
42-44 South Link, Dandenong, VIC, 3175

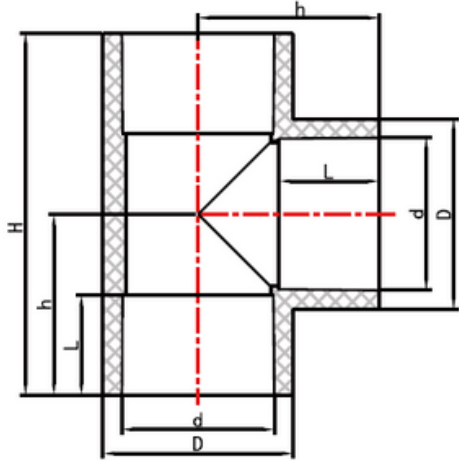
CONTACT

T: +61 7 5474 3000 (Qld)
T: +61 3 9037 4755 (Vic)
E: sales@fusionqld.com.au
W: fusionqld.com.au

TECHNICAL DATA | uPVC CAT 19 TEE

Size Range: 200 mm - 375 mm

Materials: uPVC



Size mm	D mm	d mm	L mm	H mm	h mm	Pressure Rating	Code
15	27.3	21.7	20	66	33	PN18	TT015
20	33.6	27.2	22	75	38	PN18	TT020
25	40.6	34	24	86	43	PN18	TT025
32	50.7	42.7	29	105	53	PN18	TT032
40	58.3	48.7	32	118.2	59	PN18	TT040
50	70.8	60.8	38	142.8	71	PN18	TT050
65	87.8	75.8	46	173.8	87	PN15	TT065
80	103.4	89.4	52	200.4	100	PN15	TT080
100	133	115	62	246	123	PN15	TT100
150	185	161	89	347	174	PN15	TT150

The technical data within is not binding. It neither constitutes warranted characteristics nor guaranteed properties or durability. It is the responsibility of the licensed installer to check the PN ratings marked on the fitting(s) and ensure that the pipe is compatible. Correct installation procedures should always be followed. The drawings, materials and specifications outlined are subject to change without notice due to the continuous improvements and development of our product range.

FUSION QLD PTY LTD

ABN: 42 987 067 369
13 Vision Court, Noosaville, QLD, 4566
42-44 South Link, Dandenong, VIC, 3175

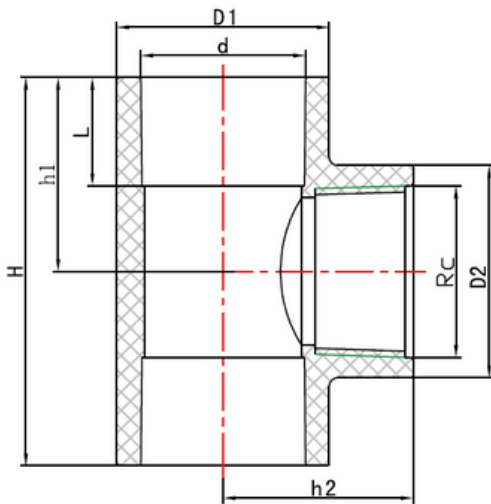
CONTACT

T: +61 7 5474 3000 (Qld)
T: +61 3 9037 4755 (Vic)
E: sales@fusionqld.com.au
W: fusionqld.com.au

TECHNICAL DATA | uPVC CAT 21 FAUCET TEE

Size Range: 15mm x 1/2" - 50mm x 2"

Materials: uPVC



Size mm x inch	D1 mm	D2 mm	d mm	L mm	h1 mm	h2 mm	H mm	Rc inch	Pressure Rating	Code
15mm x 1/2"	27.3	27.3	21.7	20	31	31	62	1/2"	PN18	TTF01512
20mm x 1/2"	33.6	27.3	27.2	22	34	34	67	1/2"	PN18	TTF02012
20mm x 3/4"	33.6	33.6	27.2	22	36.5	35.5	73	3/4"	PN18	TTF02034
25mm x 1/2"	40.6	27.3	34	24	36	37	71	1/2"	PN18	TTF02512
25mm x 3/4"	40.6	33.6	34	24	38	39	77	3/4"	PN18	TTF02534
25mm x 1"	40.6	40.6	34	24	42	41	83	1"	PN18	TTF0251
32mm x 1/2"	50.7	27.3	42.7	29	41	41	82	1/2"	PN18	TTF03212
32mm x 3/4"	50.7	33.7	42.7	29.2	44.5	42.89	89.02	3/4"	PN18	TTF03234
32mm x 1"	50.7	40.6	42.7	29	47	46	94	1"	PN18	TTF0321
32mm x 1 1/4"	50.7	49.9	42.2	28.5	50.7	51.85	101.4	1 1/4"	PN18	TTF032114

The technical data within is not binding. It neither constitutes warranted characteristics nor guaranteed properties or durability. It is the responsibility of the licensed installer to check the PN ratings marked on the fitting(s) and ensure that the pipe is compatible. Correct installation procedures should always be followed. The drawings, materials and specifications outlined are subject to change without notice due to the continuous improvements and development of our product range.

FUSION QLD PTY LTD

ABN: 42 987 067 369
13 Vision Court, Noosaville, QLD, 4566
42-44 South Link, Dandenong, VIC, 3175

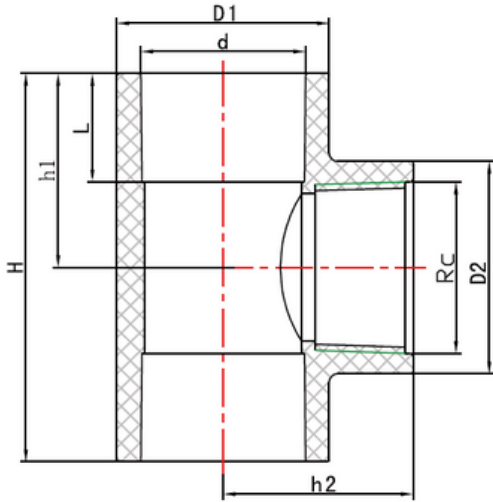
CONTACT

T: +61 7 5474 3000 (Qld)
T: +61 3 9037 4755 (Vic)
E: sales@fusionqld.com.au
W: fusionqld.com.au

TECHNICAL DATA | uPVC CAT 21 FAUCET TEE

Size Range: 15mm x 1/2" - 50mm x 2"

Materials: uPVC



Size mm x inch	D1 mm	D2 mm	d mm	L mm	h1 mm	h2 mm	H mm	Rc inch	Pressure Rating	Code
40mm x 1/2"	58.3	27.3	48.7	32	44	45	88	1/2"	PN18	TTF04012
40mm x 3/4"	58.3	33.6	48.7	32	47	47	94	3/4"	PN18	TTF04034
40mm x 1"	58.3	40.6	48.7	32	50	49	100	1"	PN18	TTF0401
40mm x 1½"	59.3	59.3	48.7	32	56.9	51.2	113.8	1 1/2"	PN18	TTF040112
50mm x 1/2"	70.9	32.5	60.7	35.9	49.7	49.2	99.9	1/2"	PN18	TTF05012
50mm x 3/4"	70.8	33.6	60.8	38	53	53	106	3/4"	PN18	TTF05034
50mm x 1"	70.8	40.6	60.80	38	56	55	112	1"	PN18	TTF0501
50mm x 1½"	70.8	56.5	60.6	37.9	65.3	64.6	130.1	1 1/2"	PN18	TTF050112
50mm x 2"	70.8	70.6	60.6	36	66.4	66.6	133.2	2"	PN18	TTF0502

The technical data within is not binding. It neither constitutes warranted characteristics nor guaranteed properties or durability. It is the responsibility of the licensed installer to check the PN ratings marked on the fitting(s) and ensure that the pipe is compatible. Correct installation procedures should always be followed. The drawings, materials and specifications outlined are subject to change without notice due to the continuous improvements and development of our product range.

FUSION QLD PTY LTD

ABN: 42 987 067 369
13 Vision Court, Noosaville, QLD, 4566
42-44 South Link, Dandenong, VIC, 3175

CONTACT

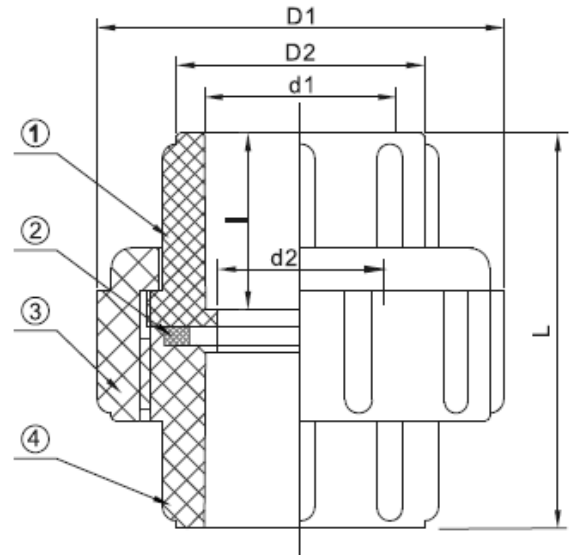
T: +61 7 5474 3000 (Qld)
T: +61 3 9037 4755 (Vic)
E: sales@fusionqld.com.au
W: fusionqld.com.au

TECHNICAL DATA | uPVC CAT 22 BARREL UNION

Size Range: 15mm - 100mm

Materials:

1. End Connector: uPVC
2. O-Ring: EPDM
3. Union Nut: uPVC
4. Body: uPVC



Size mm	d1 mm	d2 mm	D2 mm	D1 mm	l mm	L mm	Pressure Rating	Code
15	20	14	29.2	50.6	20.5	48	PN18	TBU015
20	25	19	34.5	56.7	22	53.6	PN18	TBU020
25	32	24	42.6	66.5	28	63	PN18	TBU025
32	40	32	52	81	30	72.6	PN18	TBU032
40	50	40	59	86.8	34.5	85	PN18	TBU040
50	63	45	72.1	105.8	40	103	PN18	TBU050
65	75	60	90	129	40	109	PN10	TBU065
80	90	80	103.5	145.5	48	125.5	PN10	TBU080
100	110	100	132.5	175	60	160	PN10	TBU100

The technical data within is not binding. It neither constitutes warranted characteristics nor guaranteed properties or durability. It is the responsibility of the licensed installer to check the PN ratings marked on the fitting(s) and ensure that the pipe is compatible. Correct installation procedures should always be followed. The drawings, materials and specifications outlined are subject to change without notice due to the continuous improvements and development of our product range.

FUSION QLD PTY LTD

ABN: 42 987 067 369
13 Vision Court, Noosaville, QLD, 4566
42-44 South Link, Dandenong, VIC, 3175

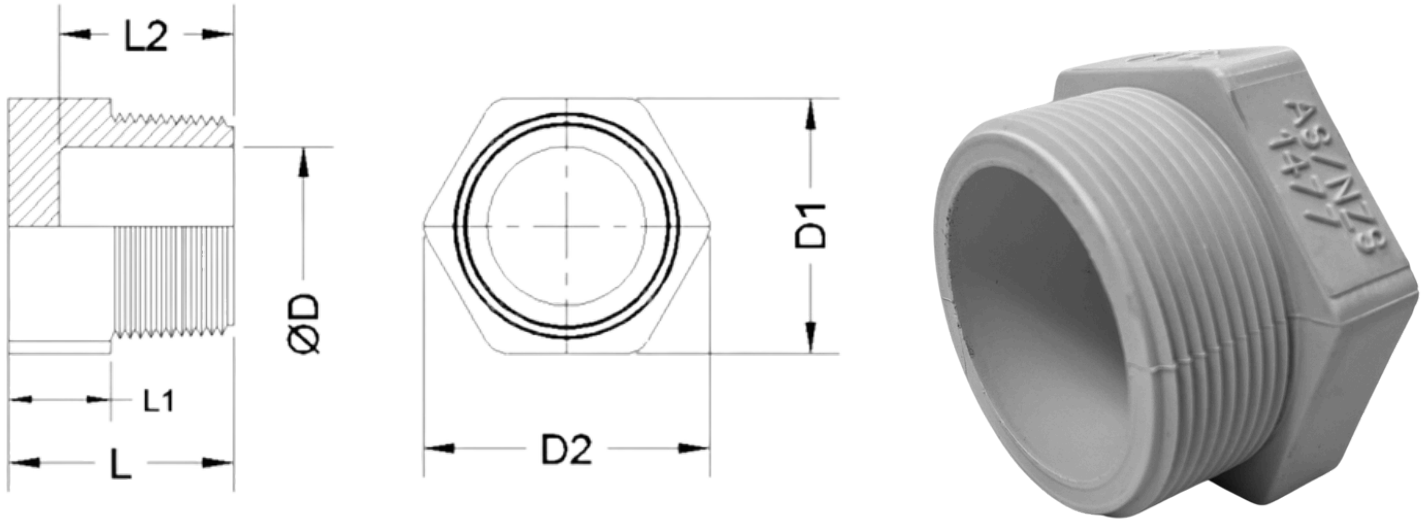
CONTACT

T: +61 7 5474 3000 (Qld)
T: +61 3 9037 4755 (Vic)
E: sales@fusionqld.com.au
W: fusionqld.com.au

TECHNICAL DATA | uPVC CAT 23 SCREWED PLUG

Size Range: 200 mm - 375 mm

Materials: uPVC



Size inch	D0 mm	D mm	D1 mm	D2 mm	L mm	L2 mm	Code
1/2"	15	12.9	24	26.8	25.2	19.2	TSP015
3/4"	20	18.7	30	33.7	26.5	20.5	TSP020
1"	25	24	36	40.6	28.8	22.8	TSP025
1 1/4"	32	30.93	46	51.9	32.1	25.6	TSP032
1 1/2"	40	35.72	55	61.65	34.1	26.6	TSP040
2"	50	45.7	65	73.8	38.4	30.9	TSP050

The technical data within is not binding. It neither constitutes warranted characteristics nor guaranteed properties or durability. It is the responsibility of the licensed installer to check the PN ratings marked on the fitting(s) and ensure that the pipe is compatible. Correct installation procedures should always be followed. The drawings, materials and specifications outlined are subject to change without notice due to the continuous improvements and development of our product range.

FUSION QLD PTY LTD

ABN: 42 987 067 369
13 Vision Court, Noosaville, QLD, 4566
42-44 South Link, Dandenong, VIC, 3175

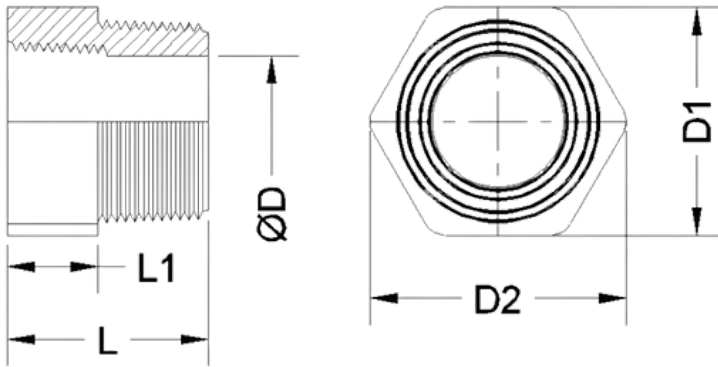
CONTACT

T: +61 7 5474 3000 (Qld)
T: +61 3 9037 4755 (Vic)
E: sales@fusionqld.com.au
W: fusionqld.com.au

TECHNICAL DATA | uPVC CAT 24 SCREWED BUSH

Size Range: 200 mm - 375 mm

Materials: uPVC



Size mm	D mm	D1 mm	D2 mm	L mm	L1 mm	Code
20 x 15	17.35	30	33.7	26.5	11.19	TSB02015
25 x 15	23.9	36	40.9	28.7	11.75	TSB02515
25 x 20	22	36	40.6	28.8	11.75	TSB02520
32 x 25	28	46	51.9	32.1	14.98	TSB03225
40 x 15	17.35	55	61.65	34.1	15.33	TSB04015
40 x 20	21.95	55	61.65	34.1	15.33	TSB04020
40 x 25	27.85	55	61.65	34.1	15.33	TSB04025
40 x 32	35.5	55	61.65	34.1	15.33	TSB04032
50 x 25	27.85	65	73.8	38.4	15.21	TSB05025
50 x 40	41.5	65	73.8	38.4	15.21	TSB05040

The technical data within is not binding. It neither constitutes warranted characteristics nor guaranteed properties or durability. It is the responsibility of the licensed installer to check the PN ratings marked on the fitting(s) and ensure that the pipe is compatible. Correct installation procedures should always be followed. The drawings, materials and specifications outlined are subject to change without notice due to the continuous improvements and development of our product range.

FUSION QLD PTY LTD

ABN: 42 987 067 369
13 Vision Court, Noosaville, QLD, 4566
42-44 South Link, Dandenong, VIC, 3175

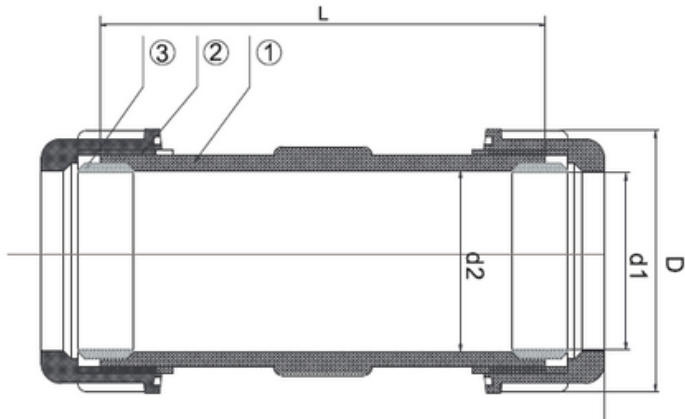
CONTACT

T: +61 7 5474 3000 (Qld)
T: +61 3 9037 4755 (Vic)
E: sales@fusionqld.com.au
W: fusionqld.com.au

TECHNICAL DATA | uPVC COMPRESSION COUPLING

Size Range: 15mm - 150mm

Materials: 1. Body: uPVC
2. Union Nut: uPVC
3. Seal: EPDM



Size mm	d1 mm	d2 mm	D mm	L mm	Pressure Rating	Code
15	20	23	45.5	110.1	PN10	TCC015
20	25	28	53	110.1	PN10	TCC020
25	32	36	62.2	120.1	PN10	TCC025
32	40	44	69.6	129.2	PN10	TCC032
40	50	52	81	136.6	PN10	TCC040
50	63	64.5	94	159	PN10	TCC050
65	75	78	111.5	191.7	PN10	TCC065
80	90	92.7	127	221.7	PN10	TCC080
100	110	117.2	156.7	251.7	PN10	TCC100
150	173.9	167.7	222.7	245.5	PN10	TCC150

The technical data within is not binding. It neither constitutes warranted characteristics nor guaranteed properties or durability. It is the responsibility of the licensed installer to check the PN ratings marked on the fitting(s) and ensure that the pipe is compatible. Correct installation procedures should always be followed. The drawings, materials and specifications outlined are subject to change without notice due to the continuous improvements and development of our product range.

FUSION QLD PTY LTD

ABN: 42 987 067 369
13 Vision Court, Noosaville, QLD, 4566
42-44 South Link, Dandenong, VIC, 3175

CONTACT

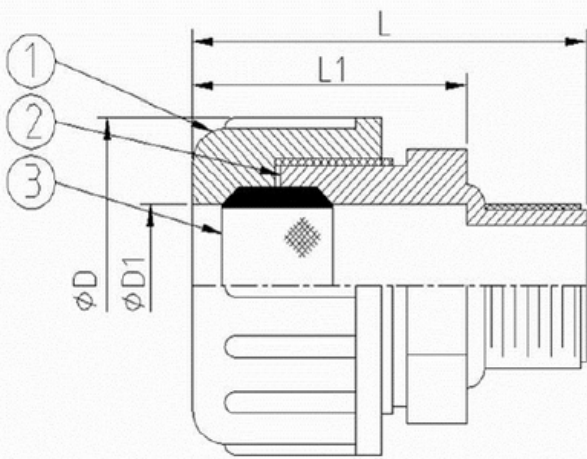
T: +61 7 5474 3000 (Qld)
T: +61 3 9037 4755 (Vic)
E: sales@fusionqld.com.au
W: fusionqld.com.au

TECHNICAL DATA | uPVC COMPRESSION MALE ADAPTOR

Size Range: 15mm - 50mm

Materials:

1. Union Nut: uPVC
2. Seal: EPDM, NR
3. Body: uPVC



Size inch	DN mm	D mm	D1 mm	L1 mm	L mm	Pressure Rating	Code
1/2"	15	47	23	45	65	PN10	TCMA015
3/4"	20	53	29	50	71	PN10	TCMA020
1"	25	61	35	53	77	PN10	TCMA025
1 1/2"	40	79	50	59	85	PN10	TCMA040
2"	50	91	62	69	96	PN10	TCMA050

The technical data within is not binding. It neither constitutes warranted characteristics nor guaranteed properties or durability. It is the responsibility of the licensed installer to check the PN ratings marked on the fitting(s) and ensure that the pipe is compatible. Correct installation procedures should always be followed. The drawings, materials and specifications outlined are subject to change without notice due to the continuous improvements and development of our product range.

FUSION QLD PTY LTD

ABN: 42 987 067 369
13 Vision Court, Noosaville, QLD, 4566
42-44 South Link, Dandenong, VIC, 3175

CONTACT

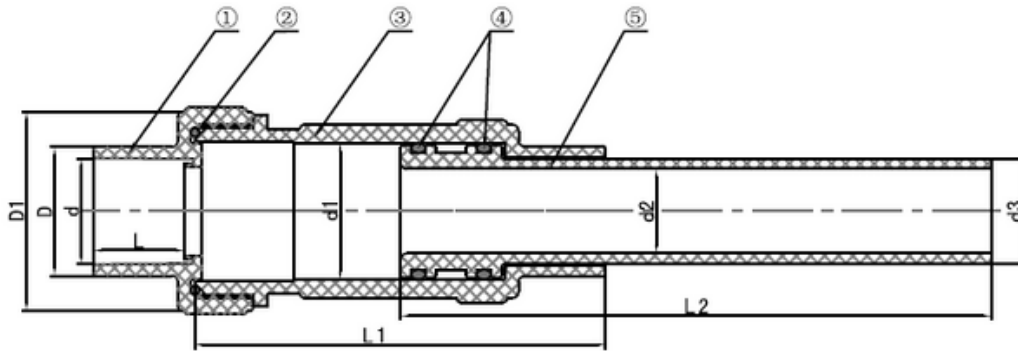
T: +61 7 5474 3000 (Qld)
T: +61 3 9037 4755 (Vic)
E: sales@fusionqld.com.au
W: fusionqld.com.au

TECHNICAL DATA | uPVC TELESCOPIC REPAIR COUPLING

Size Range: 15mm - 100mm

1. Union Nut: uPVC
2. Union NUT Seal: NBR
3. Body: uPVC
4. Core Seal: NBR
5. Core: uPVC

Materials:



Size mm	D1 mm	D mm	d mm	d1 mm	d2 mm	d3 mm	L mm	L1 mm	L2 mm	Pressure Rating	Code
15	45	27.6	21.34	27.9	16.5	21.4	23.3	95	135	PN10	TTRC015
20	51.4	33.2	26.67	33.6	21.1	26.7	25.3	110.7	159	PN10	TTRC020
25	63	40.8	33.4	43.2	26.7	33.4	28.4	130.5	187.7	PN10	TTRC025
32	73.2	50	42.16	51.3	34.8	42.2	31.5	149	209.5	PN10	TTRC032
40	79.8	56.6	48.26	57.6	42.2	48.3	33.3	170	233.5	PN10	TTRC040
50	92	69	60.33	70.3	52.2	60.3	34.8	181	244.5	PN10	TTRC050
65	105	85.5	73.4	79.8	62.3	73	46	108.38	270	PN10	TTRC065
80	123.8	103	89.28	98	76.6	88.9	48.8	103.2	289.3	PN10	TTRC080
100	154	129	114.68	121.6	101.1	114.3	55	107.98	316	PN10	TTRC100

The technical data within is not binding. It neither constitutes warranted characteristics nor guaranteed properties or durability. It is the responsibility of the licensed installer to check the PN ratings marked on the fitting(s) and ensure that the pipe is compatible. Correct installation procedures should always be followed. The drawings, materials and specifications outlined are subject to change without notice due to the continuous improvements and development of our product range.

FUSION QLD PTY LTD

ABN: 42 987 067 369
13 Vision Court, Noosaville, QLD, 4566
42-44 South Link, Dandenong, VIC, 3175

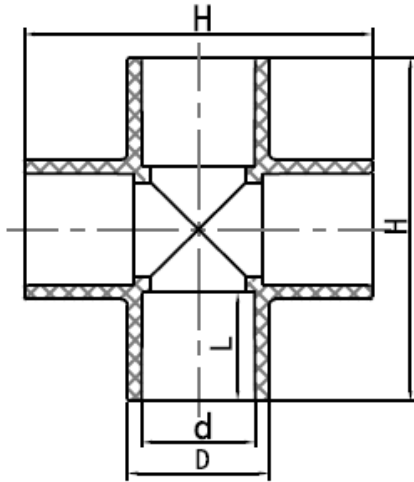
CONTACT

T: +61 7 5474 3000 (Qld)
T: +61 3 9037 4755 (Vic)
E: sales@fusionqld.com.au
W: fusionqld.com.au

TECHNICAL DATA | uPVC CROSS

Size Range: 15mm - 200mm

Materials: uPVC



Size mm	D mm	d mm	L mm	H mm	Pressure Rating	Code
15	27.5	21.34	18.6	62	PN18	TCROSS015
20	33.5	26.67	26	82.2	PN18	TCROSS020
25	40.9	33.4	27.5	93.5	PN18	TCROSS025
32	50.1	42.16	29	104.8	PN18	TCROSS032
40	56.6	48.26	34	120.9	PN18	TCROSS040
50	69	60.33	40	146.92	PN18	TCROSS050
80	103.2	88.7	49.9	196.6	PN15	TCROSS080
100	133.1	114.3	60.15	241.9	PN15	TCROSS100
150 (Grey)	185.1	160.2	86.1	335	PN16	TCROSS150

The technical data within is not binding. It neither constitutes warranted characteristics nor guaranteed properties or durability. It is the responsibility of the licensed installer to check the PN ratings marked on the fitting(s) and ensure that the pipe is compatible. Correct installation procedures should always be followed. The drawings, materials and specifications outlined are subject to change without notice due to the continuous improvements and development of our product range.

FUSION QLD PTY LTD

ABN: 42 987 067 369
13 Vision Court, Noosaville, QLD, 4566
42-44 South Link, Dandenong, VIC, 3175

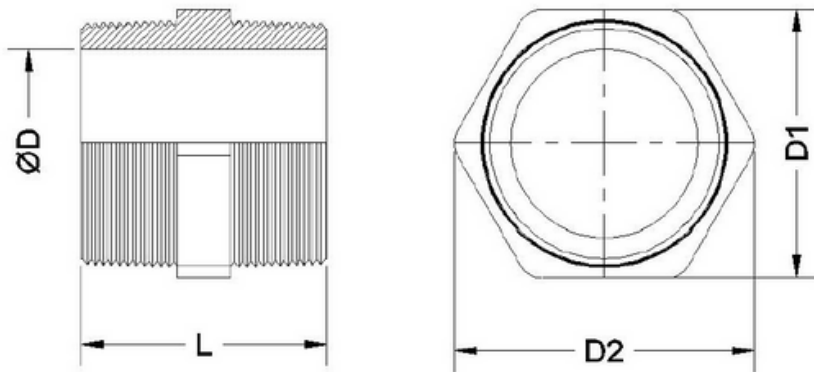
CONTACT

T: +61 7 5474 3000 (Qld)
T: +61 3 9037 4755 (Vic)
E: sales@fusionqld.com.au
W: fusionqld.com.au

TECHNICAL DATA | uPVC HEX NIPPLE

Size Range: 15mm - 50mm

Materials: uPVC



Size mm	D mm	D1 mm	D2 mm	L mm	Code
15	14	24	26.8	38.4	THN015
20	18.7	30	33.7	41	THN020
25	24	36	40	45.6	THN025
32	31.2	46	51.6	51	THN032
40	36	55	61.6	51.2	THN040
50	45.7	65	73.2	59.8	THN050

The technical data within is not binding. It neither constitutes warranted characteristics nor guaranteed properties or durability. It is the responsibility of the licensed installer to check the PN ratings marked on the fitting(s) and ensure that the pipe is compatible. Correct installation procedures should always be followed. The drawings, materials and specifications outlined are subject to change without notice due to the continuous improvements and development of our product range.

FUSION QLD PTY LTD

ABN: 42 987 067 369
13 Vision Court, Noosaville, QLD, 4566
42-44 South Link, Dandenong, VIC, 3175

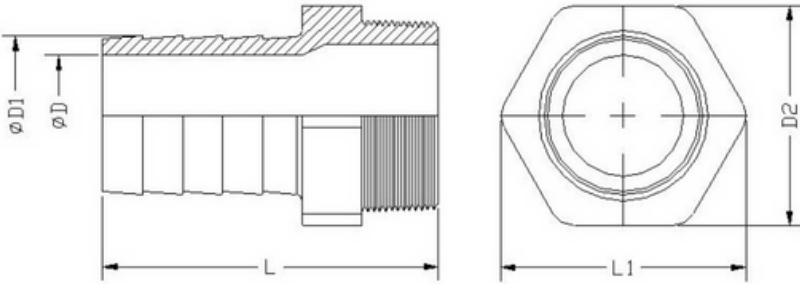
CONTACT

T: +61 7 5474 3000 (Qld)
T: +61 3 9037 4755 (Vic)
E: sales@fusionqld.com.au
W: fusionqld.com.au

TECHNICAL DATA | uPVC HOSE BARB

Size Range: 15mm - 50mm

Materials: uPVC



Size mm	D mm	D1 mm	D2 mm	L mm	L1 mm	Code
15	12.9	17.3	24	60.2	26.78	THB015
20	14.83	20	30	66.5	33.71	THB020
25	19.9	26.4	36	68.8	40.64	THB025
32	24.6	32.7	46	77.1	51.88	THB032
40	30.3	39.7	55	84.1	61.65	THB040
50	41.08	52.4	65	93.4	73.82	THB050
65	50.8	65	80	114.7	89.92	THB065
80	60.7	77	95	142.8	106.6	THB080
100	86	98.5	120	147.8	135.47	THB100

The technical data within is not binding. It neither constitutes warranted characteristics nor guaranteed properties or durability. It is the responsibility of the licensed installer to check the PN ratings marked on the fitting(s) and ensure that the pipe is compatible. Correct installation procedures should always be followed. The drawings, materials and specifications outlined are subject to change without notice due to the continuous improvements and development of our product range.

FUSION QLD PTY LTD

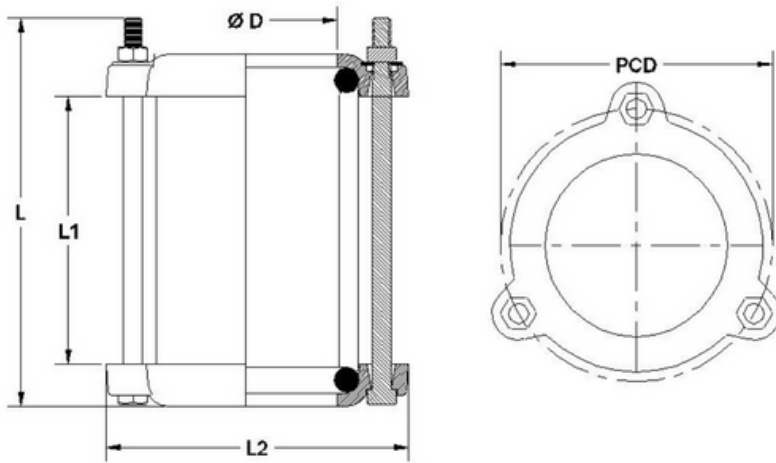
ABN: 42 987 067 369
13 Vision Court, Noosaville, QLD, 4566
42-44 South Link, Dandenong, VIC, 3175

CONTACT

T: +61 7 5474 3000 (Qld)
T: +61 3 9037 4755 (Vic)
E: sales@fusionqld.com.au
W: fusionqld.com.au

TECHNICAL DATA | GIBAULT JOINT

Size Range: 80mm - 200mm
 Length: 225mm
 Materials: Aluminium Rings: BS401 Aluminium Alloy
 Barrel: ABS
 Bolts: Hot Dipped Galvanised Steel
 Sealing Rings: EPDM
 Coating: Fusion Bonded Epoxy
 Pressure Rating: 150 Psi



Size mm	L mm	L1 mm	L2 mm	D mm	Code
80	286	216	156.3	90	TGJ080
100	288	171	182.8	116.5	TGJ100
150	304	217	135.4	163	TGJ150
200	305	182	332.5	230	TGJ200

The technical data within is not binding. It neither constitutes warranted characteristics nor guaranteed properties or durability. It is the responsibility of the licensed installer to check the PN ratings marked on the fitting(s) and ensure that the pipe is compatible. Correct installation procedures should always be followed. The drawings, materials and specifications outlined are subject to change without notice due to the continuous improvements and development of our product range.

FUSION QLD PTY LTD

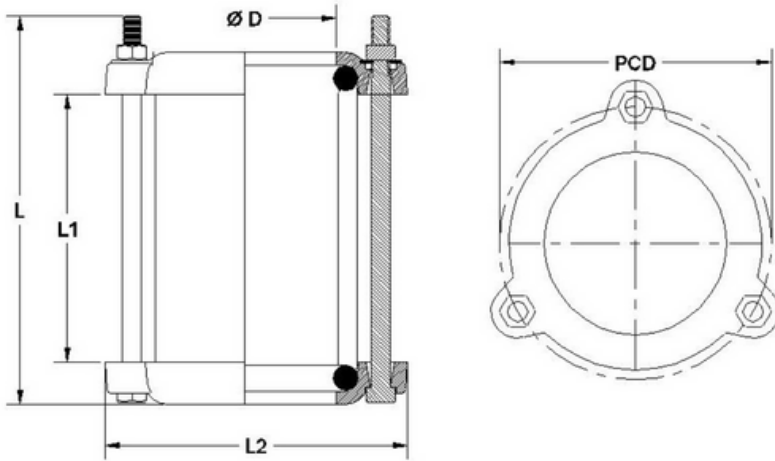
ABN: 42 987 067 369
 13 Vision Court, Noosaville, QLD, 4566
 42-44 South Link, Dandenong, VIC, 3175

CONTACT

T: +61 7 5474 3000 (Qld)
 T: +61 3 9037 4755 (Vic)
 E: sales@fusionqld.com.au
 W: fusionqld.com.au

TECHNICAL DATA | GIBAULT JOINT DUCTILE IRON

Size Range: 80mm - 200mm
 Length: 225mm
 Ear Rings Material: Ductile Iron
 Barrel: ABS
 Materials: Bolts: Hot Dipped Galvanised Steel
 Sealing Rings: EPDM
 Pressure Rating: 150 Psi



Size mm	L mm	L1 mm	L2 mm	D mm	Code
80	286	216	156.3	90	TGJ080
100	288	171	182.8	116.5	TGJ100
150	304	217	135.4	163	TGJ150
200	305	182	332.5	230	TGJ200

The technical data within is not binding. It neither constitutes warranted characteristics nor guaranteed properties or durability. It is the responsibility of the licensed installer to check the PN ratings marked on the fitting(s) and ensure that the pipe is compatible. Correct installation procedures should always be followed. The drawings, materials and specifications outlined are subject to change without notice due to the continuous improvements and development of our product range.

FUSION QLD PTY LTD

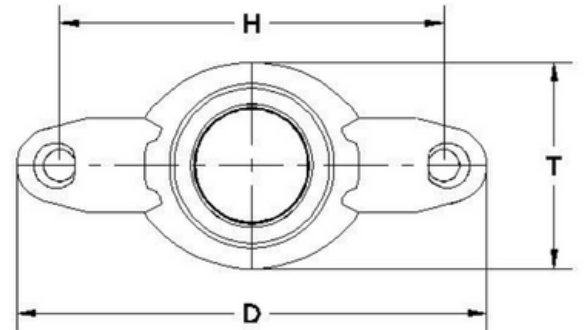
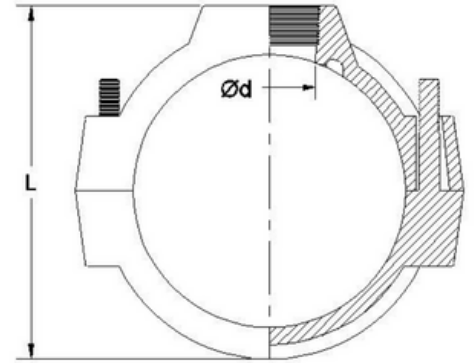
ABN: 42 987 067 369
 13 Vision Court, Noosaville, QLD, 4566
 42-44 South Link, Dandenong, VIC, 3175

CONTACT

T: +61 7 5474 3000 (Qld)
 T: +61 3 9037 4755 (Vic)
 E: sales@fusionqld.com.au
 W: fusionqld.com.au

TECHNICAL DATA | TAPPING BAND

Size Range: 80mm x 50mm - 250mm x 80mm
 Body: BS401 Aluminium Alloy
 Bolts: Hot Dipped Galvanised Steel
 Materials: Sealing Rings: EPDM
 Coating: Fusion Bonded Epoxy
 Pressure Rating: 150 Psi
 Thread: BSPT Thread
 Recommended Bolt Torque: 15ft lbs / 20Nm Torque



Size mm	D mm	H mm	T mm	L mm	d mm	Code
80 x 50	151.1	112.1	97.4	133.55	54	TTB08050
100 x 50	178.5	137	103.5	163.25	54	TTB10050
150 x 50	229	188	100	208.25	54	TTB15050
150 x 80	229	188	127.5	229	72	TTB15080
150 x 100	229	188	152.3	242	100	TTB150100
200 x 50	303	258	104.5	279.55	54	TTB20050
200 x 80	303	258	143	284.55	72	TTB20080
200 x 100	303	258	167	297.55	105	TTB200100
250 x 50	370.8	320.8	111.75	347.8	54	TTB25050
250 x 80	370.8	320.8	140.75	347.8	72	TTB25080

The technical data within is not binding. It neither constitutes warranted characteristics nor guaranteed properties or durability. It is the responsibility of the licensed installer to check the PN ratings marked on the fitting(s) and ensure that the pipe is compatible. Correct installation procedures should always be followed. The drawings, materials and specifications outlined are subject to change without notice due to the continuous improvements and development of our product range.

FUSION QLD PTY LTD

ABN: 42 987 067 369
 13 Vision Court, Noosaville, QLD, 4566
 42-44 South Link, Dandenong, VIC, 3175

CONTACT

T: +61 7 5474 3000 (Qld)
 T: +61 3 9037 4755 (Vic)
 E: sales@fusionqld.com.au
 W: fusionqld.com.au

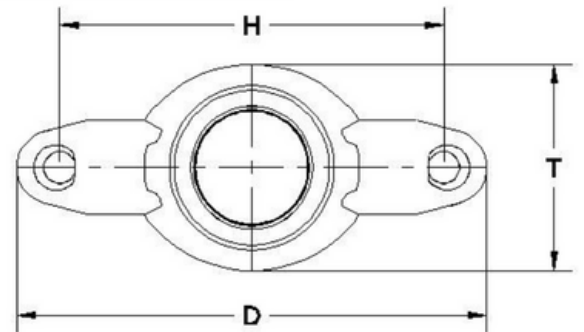
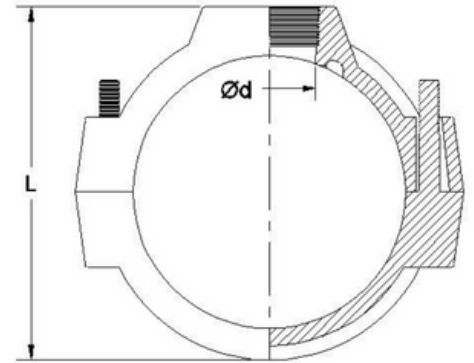
TECHNICAL DATA | TAPPING BAND | COMPOSITE MATERIAL

Size Range: 50mm - 250mm

Materials: Body: Engineering Plastic uPVC and Fiberglass
Bolts: Hot Dipped Galvanised Steel
Sealing Rings: EPDM

Thread: BSPT Thread

Recommended Bolt Torque: 15ft lbs / 20Nm Torque



Size mm	D mm	H mm	T mm	L mm	d mm	PN Rating	Code
80 x 50	151.1	112.1	97.4	133.55	54	16	TTB08050
100 x 50	178.5	137	103.5	163.25	54	16	TTB10050
150 x 50	229	188	100	208.25	54	16	TTB15050
150 x 80	229	188	127.5	229	72	16	TTB15080
150 x 100	229	188	152.3	242	100	16	TTB150100
200 x 50	303	258	104.5	279.55	54	12	TTB20050
200 x 80	303	258	143	284.55	72	12	TTB20080
200 x 100	303	258	167	297.55	105	12	TTB200100
250 x 50	370.8	320.8	111.75	347.8	54	12	TTB25050
250 x 80	370.8	320.8	140.75	347.8	72	12	TTB25080

The technical data within is not binding. It neither constitutes warranted characteristics nor guaranteed properties or durability. It is the responsibility of the licensed installer to check the PN ratings marked on the fitting(s) and ensure that the pipe is compatible. Correct installation procedures should always be followed. The drawings, materials and specifications outlined are subject to change without notice due to the continuous improvements and development of our product range.

FUSION QLD PTY LTD

ABN: 42 987 067 369
13 Vision Court, Noosaville, QLD, 4566
42-44 South Link, Dandenong, VIC, 3175

CONTACT

T: +61 7 5474 3000 (Qld)
T: +61 3 9037 4755 (Vic)
E: sales@fusionqld.com.au
W: fusionqld.com.au