

## TECHNICAL DATA | VDL UPVC BALL VALVE - TRUE UNION PN16 | SOLVENT WELD

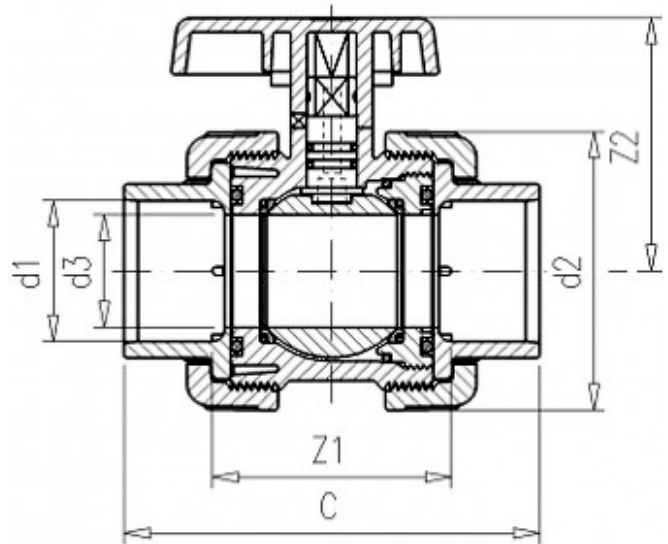
Standards: Compatible with AS/NZS 1477 Pressure Pipe Applications

Size Range: 15mm - 100mm

Materials: uPVC, EPDM Gaskets

Pressure Rating: PN16

Fitting Details: Solvent Weld



Size mm	d1 inch	d2 mm	d3 mm	Z1 mm	Z2 mm	C mm	PN	Code
15	1/2"	59	15	50	56	84	16	TBVDUSV015
20	3/4"	64	20	54	57	93	16	TBVDUSV020
25	1"	73	25	64	66	108	16	TBVDUSV025
32	1¼"	86	32	68	75	124	16	TBVDUSV032
40	1½"	102	40	88	90	148	16	TBVDUSV040
50	2"	124	50	106	102	175	16	TBVDUSV050
80	3"	178.5	75	153	143	256	10	TBVDUSV080
100	4"	215.5	90	179	161	306	10	TBVDUSV100

**Note:**

Installation should always be performed by a licensed operator. It is the responsibility of the installer to check that both the pipe(s) and fitting(s) that are installed are compatible, only compatible materials should be joined together. It is the responsibility of the licensed installer to check the PN and PSI ratings marked on the fitting(s) and ensure that the pipe is compatible. Correct installation procedures should always be followed.

The drawings, materials and specifications outlined are subject to change without notice due to the continuous improvements and development of our product range.

**FUSION QLD PTY LTD**

ABN: 42 987 067 369  
13 Vision Court, Noosaville, QLD, 4566  
42-44 South Link, Dandenong, VIC, 3175

**CONTACT**

T: +61 7 5474 3000 (Qld)  
T: +61 3 9037 4755 (Vic)  
E: sales@fusionqld.com.au  
W: fusionqld.com.au

## TECHNICAL DATA | VDL UPVC BALL VALVE - TRUE UNION PN16 | THREADED

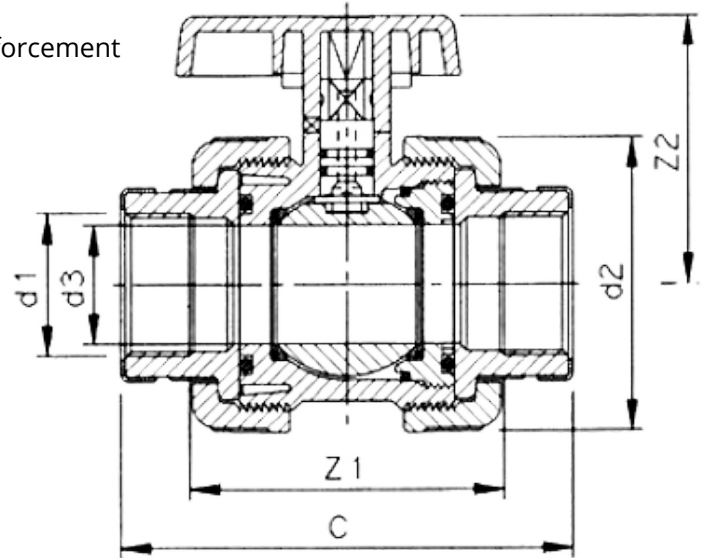
Standards: Compatible with AS/NZS 1477 Pressure Pipe Applications

Size Range: 15mm - 100mm

Materials: uPVC, Stainless Steel, EPDM Gaskets

Pressure Rating: PN16

Fitting Details: BSP Female Thread with Stainless Steel Reinforcement



Size mm	d1 inch	d2 mm	d3 mm	Z1 mm	Z2 mm	C mm	PN	Code
15	1/2"	59	15	52	56	84	16	TBVDUSV015
20	3/4"	64	20	60	57	94	16	TBVDUSV020
25	1"	73	25	69	66	110	16	TBVDUSV025
32	1 1/4"	86	32	79	75	122	16	TBVDUSV032
40	1 1/2"	102	40	102	90	150	16	TBVDUSV040
50	2"	124	50	118	102	180	16	TBVDUSV050
80	3"	178.5	75	185	143	255	10	TBVDUSV080
100	4"	215.5	90	227	161	307	10	TBVDUSV100

**Note:**

Installation should always be performed by a licensed operator. It is the responsibility of the installer to check that both the pipe(s) and fitting(s) that are installed are compatible, only compatible materials should be joined together. It is the responsibility of the licensed installer to check the PN and PSI ratings marked on the fitting(s) and ensure that the pipe is compatible. Correct installation procedures should always be followed.

The drawings, materials and specifications outlined are subject to change without notice due to the continuous improvements and development of our product range.

**FUSION QLD PTY LTD**

ABN: 42 987 067 369  
13 Vision Court, Noosaville, QLD, 4566  
42-44 South Link, Dandenong, VIC, 3175

**CONTACT**

T: +61 7 5474 3000 (Qld)  
T: +61 3 9037 4755 (Vic)  
E: sales@fusionqld.com.au  
W: fusionqld.com.au