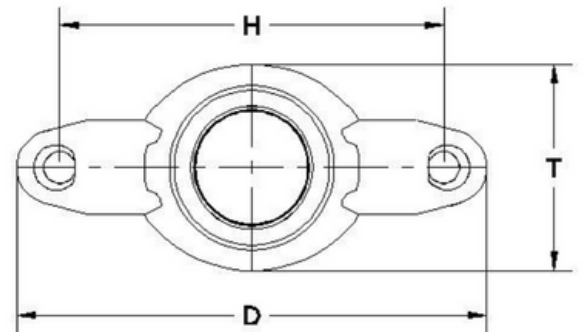
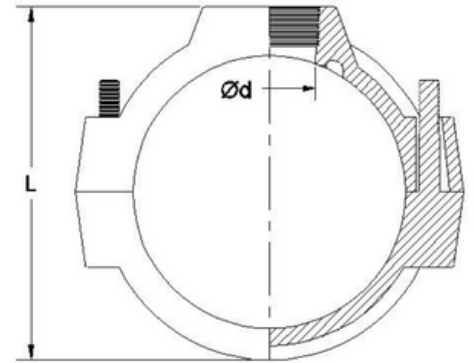


TECHNICAL DATA | TAPPING BAND | COMPOSITE MATERIAL

Size Range: 50mm - 250mm
 Materials: Body: Engineering Plastic uPVC and Fiberglass
 Bolts: Hot Dipped Galvanised Steel
 Sealing Rings: EPDM
 Thread: BSPT Thread
 Recommended Bolt Torque: 15ft lbs / 20Nm Torque



Size mm	D mm	H mm	T mm	L mm	d mm	PN Rating	Code
80 x 50	151.1	112.1	97.4	133.55	54	16	TTBC080050
100 x 50	178.5	137	103.5	163.25	54	16	TTBC100050
150 x 50	229	188	100	208.25	54	16	TTBC150050
150 x 80	229	188	127.5	229	72	16	TTBC150080
150 x 100	229	188	152.3	242	100	16	TTBC150100
200 x 50	303	258	104.5	279.55	54	12	TTBC200050
200 x 80	303	258	143	284.55	72	12	TTBC200080
200 x 100	303	258	167	297.55	105	12	TTBC200100
250 x 50	370.8	320.8	111.75	347.8	54	12	TTBC250050
250 x 80	370.8	320.8	140.75	347.8	72	12	TTBC250080

The technical data within is not binding. It neither constitutes warranted characteristics nor guaranteed properties or durability. It is the responsibility of the licensed installer to check the PN ratings marked on the fitting(s) and ensure that the pipe is compatible. Correct installation procedures should always be followed. The drawings, materials and specifications outlined are subject to change without notice due to the continuous improvements and development of our product range.

FUSION QLD PTY LTD

ABN: 42 987 067 369
 13 Vision Court, Noosaville, QLD, 4566
 42-44 South Link, Dandenong, VIC, 3175

CONTACT

T: +61 7 5474 3000 (Qld)
 T: +61 3 9037 4755 (Vic)
 E: sales@fusionqld.com.au
 W: fusionqld.com.au